

ADA Compliant

*This Space for Architect/Engineer Approval*

Job Name \_\_\_\_\_ Date \_\_\_\_\_  
 Model Specified \_\_\_\_\_ Quantity \_\_\_\_\_  
 Customer/Wholesaler \_\_\_\_\_  
 Contractor \_\_\_\_\_  
 Architect/Engineer \_\_\_\_\_



**5SP-05CA**  
 5 7/8" equip Swivel Gooseneck  
 w/ 2.2 GPM Aerator.  
 Rigid Conversion Requires  
**014200-45** Lock Washer  
 (Sold Separately)

Quarter-Turn Ceramic  
 Cartridges & equip Lever  
 Handles w/ Color Coded  
 Screws

1 7/8"  
 [48mm]  
 Maximum  
 Thickness

Mounting Surface

5 7/8"  
 [149mm]

12 7/8"  
 [326mm]

8 3/4"  
 [222mm]

Ø 2 1/4"  
 [57mm]

Ø 1 1/8"  
 [29mm]  
 Shank

18" Flexible  
 Stainless Steel  
 Supply Hoses

Compression Fittings for  
 5/8" O.D. Copper Tubing  
 (Remove Compression Nut  
 for 1/2" NPSM Male)

Rough-In Requirement:  
 Ø 1 1/2" [38mm] Mounting Hole

Model Number

**5F-2SLX05CA**

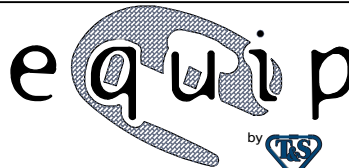
Product Specifications:

Single Hole Deck Mount Mixing Faucet, Quarter-Turn Ceramic  
 Cartridges, equip Lever Handles, 5 7/8" equip Swivel Gooseneck,  
 2.2 GPM Aerator & 18" Flexible Inlets

Product Compliance:

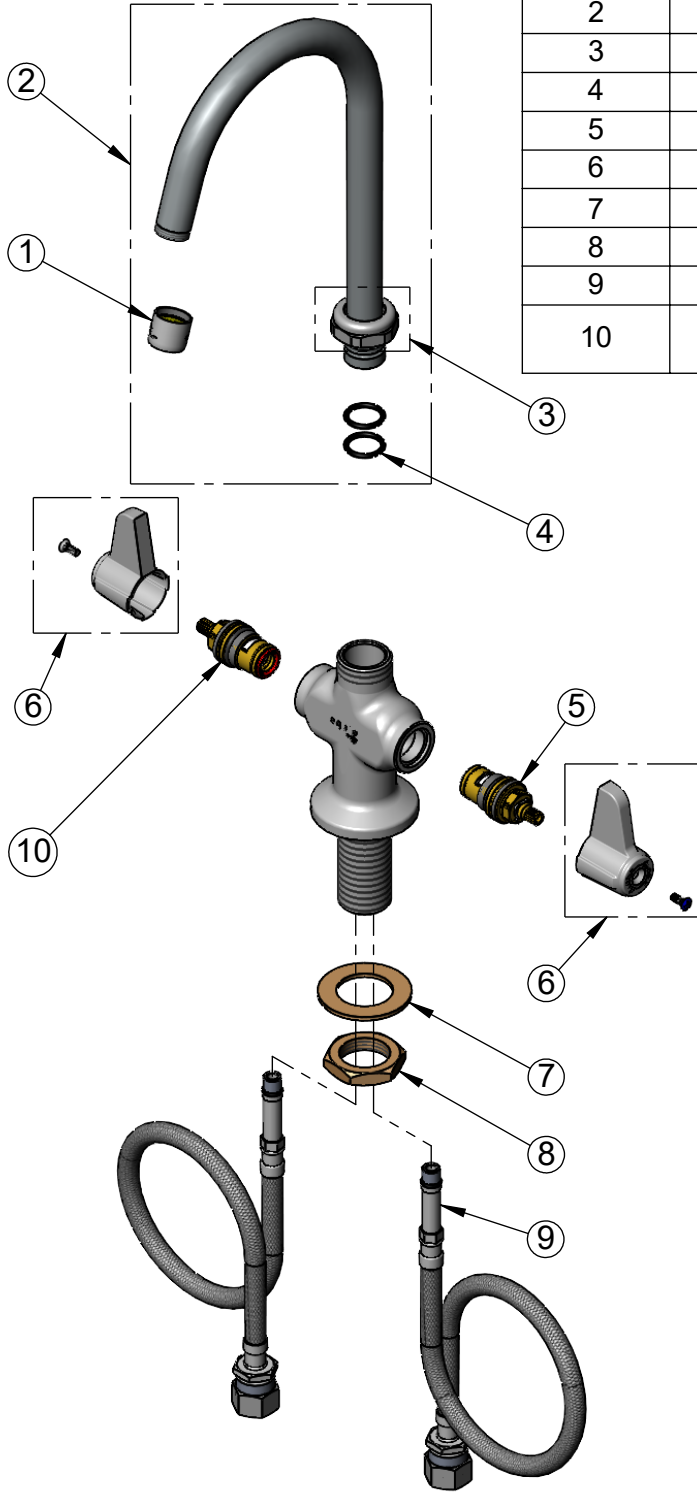
ASME A112.18.1 / CSA B125.1  
 NSF 61 - Section 9  
 NSF 372 (Low Lead Content)  
 ANSI A117.1 (ADA)

equip  
 Foodservice  
 Accessories



2 Saddleback Cove, P.O. Box 1088  
 Travelers Rest, South Carolina 29690  
 Phone: 800.891.4808 Fax: 800.868.0084  
 equip.tsbrass.com

ITEM NO.	SALES NO.	DESCRIPTION
1	<a href="#">013838-45</a>	2.2 GPM Aerator, 3/4-27 UN Female
2	<a href="#">5SP-05CA</a>	5 7/8" equip Swivel Gooseneck
3	<a href="#">013839-25</a>	equip Swivel Nut
4	<a href="#">013848-45</a>	equip Swivel Piece O-Ring
5	<a href="#">013788-45</a>	equip Quarter-Turn Ceramic Cartridge, LTC
6	<a href="#">5-HDL-L</a>	equip Lever Handle w/ Color Coded Screws
7	<a href="#">002290-45</a>	Lock Washer
8	<a href="#">000965-45</a>	Lock Nut
9	<a href="#">012534-45</a>	18" Flexible Supply Hose (2)
10	<a href="#">013787-45</a>	equip Quarter-Turn Ceramic Cartridge, RTC



Model Number

**5F-2SLX05CA**

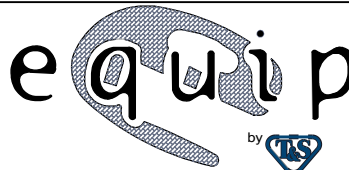
Product Specifications:

Single Hole Deck Mount Mixing Faucet, Quarter-Turn Ceramic Cartridges, equip Lever Handles, 5 7/8" equip Swivel Gooseneck, 2.2 GPM Aerator & 18" Flexible Inlets

Product Compliance:

ASME A112.18.1 / CSA B125.1  
NSF 61 - Section 9  
NSF 372 (Low Lead Content)  
ANSI A117.1 (ADA)

equip  
Foodservice  
Accessories



2 Saddleback Cove, P.O. Box 1088  
Travelers Rest, South Carolina 29690  
Phone: 800.891.4808 Fax: 800.868.0084  
equip.tsbrass.com