

5 9/16"
[141mm]



ADA Compliant

This Space for Architect/Engineer Approval

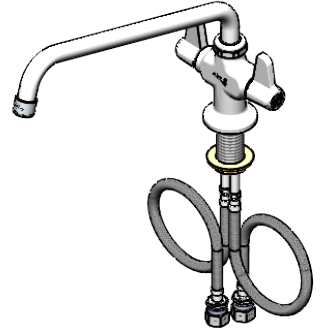
Job Name _____ Date _____

Model Specified _____ Quantity _____

Customer/Wholesaler _____

Contractor _____

Architect/Engineer _____

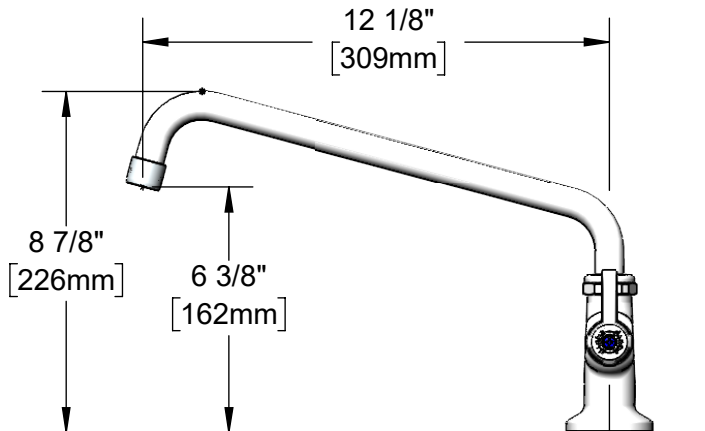


5SP-12V15
12" equip Swing Nozzle
w/ 1.5 GPM VR Aerator.
Rigid Conversion Requires
014200-45 Lock Washer
(Sold Separately)

Quarter-Turn Ceramic
Cartridges & equip
Lever Handles w/
Color Coded Screws

1 7/8"
[48mm]
Maximum
Thickness

Mounting Surface



Ø 2 1/4"
[57mm]

Ø 1 1/8"
[29mm]
Shank

18" Flexible
Stainless Steel
Supply Hoses

Compression Fittings for
5/8" O.D. Copper Tubing
(Remove Compression Nut
for 1/2" NPSM Male)

Rough-In Requirement:
Ø 1 1/2" [38mm] Mounting Hole

Model Number

5F-2SLX12V15

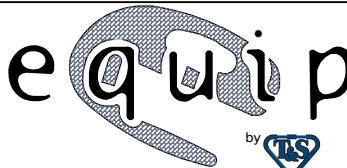
Product Specifications:

Single Hole Deck Mount Mixing Faucet, Quarter-Turn Ceramic Cartridges, equip Lever Handles, 12" equip Swing Nozzle, 1.5 GPM VR Aerator & 18" Flexible Inlets

Product Compliance:

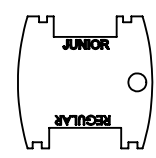
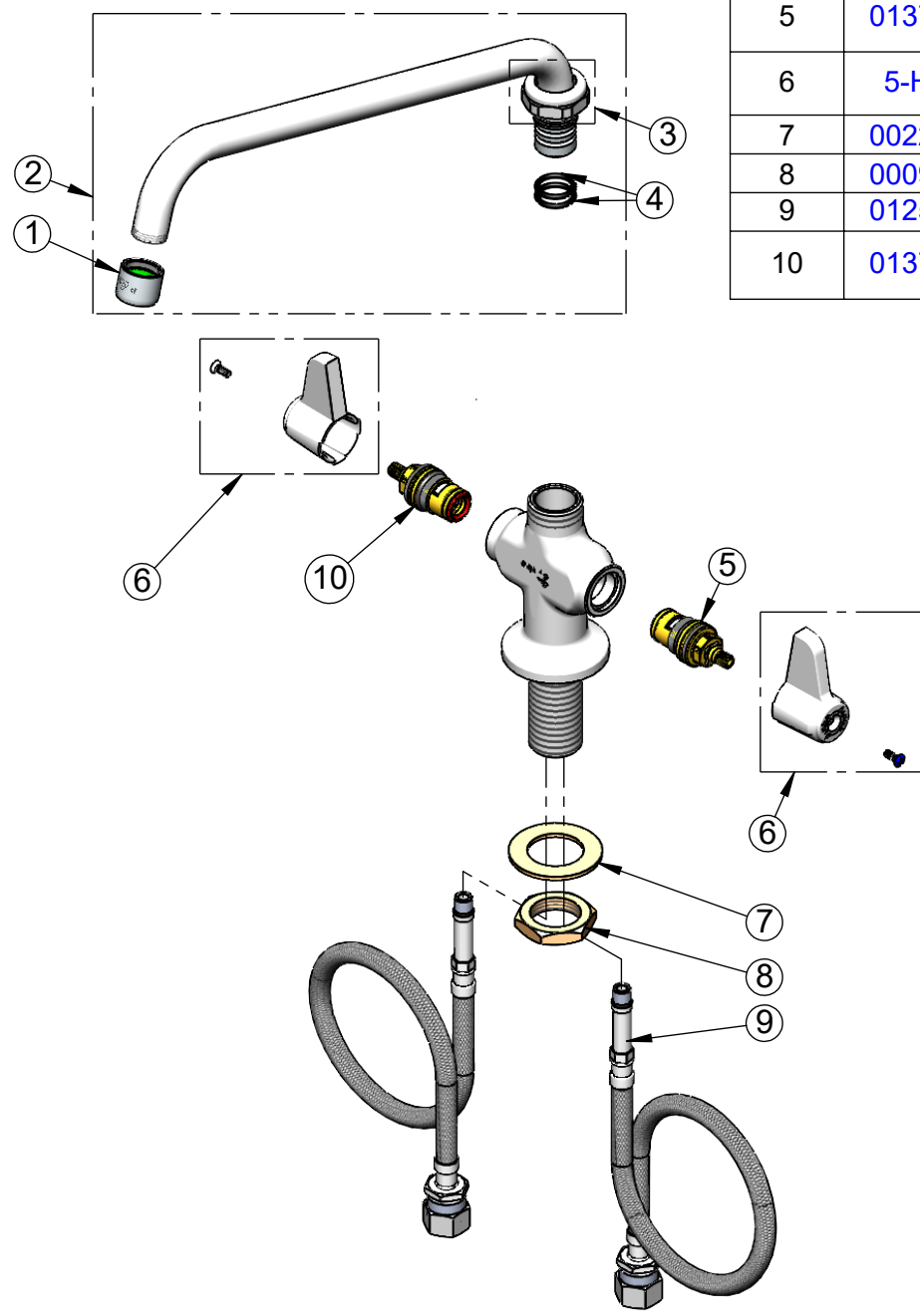
ASME A112.18.1 / CSA B125.1
NSF 61 - Section 9
NSF 372 (Low Lead Content)
ANSI A117.1 (ADA)
SASO (Saudi Arabia)

equip
Foodservice
Accessories




2 Saddleback Cove, P.O. Box 1088
Travelers Rest, South Carolina 29690
Phone: 800.891.4808 Fax: 800.868.0084
equip.tsbrass.com

ITEM NO.	SALES NO.	DESCRIPTION
1	5F-VF15	1.5 GPM VR Aerator, 3/4-27 UN Female
2	5SP-12V15	12" equip Swing Nozzle
3	013839-25	equip Swivel Nut
4	013848-45	equip Swivel Piece O-Ring
5	013788-45	equip Quarter-Turn Ceramic Cartridge, LTC
6	5-HDL-L	equip Lever Handle w/ Color Coded Screws
7	002290-45	Lock Washer
8	000965-45	Lock Nut
9	012534-45	18" Flexible Supply Hose (2)
10	013787-45	equip Quarter-Turn Ceramic Cartridge, RTC



015425-45
Vandal Resistant Key

Model Number 5F-2SLX12V15		Product Specifications: Single Hole Deck Mount Mixing Faucet, Quarter-Turn Ceramic Cartridges, equip Lever Handles, 12" equip Swing Nozzle, 1.5 GPM VR Aerator & 18" Flexible Inlets	
Product Compliance: ASME A112.18.1 / CSA B125.1 NSF 61 - Section 9 NSF 372 (Low Lead Content) ANSI A117.1 (ADA) SASO (Saudi Arabia)		 2 Saddleback Cove, P.O. Box 1088 Travelers Rest, South Carolina 29690 Phone: 800.891.4808 Fax: 800.868.0084 equip.tsbrass.com	
Drawn: CAB	Checked: JRM	Approved: JHB	Date: 07/03/24
Scale: NTS	Sheet: 2 of 2		