

5SP-05
 5 1/2" equip Swivel Gooseneck
 w/ Laminar Flow Device.
 Rigid Conversion Requires
014200-45 Lock Washer
 (Sold Separately)

This Space for Architect/Engineer Approval

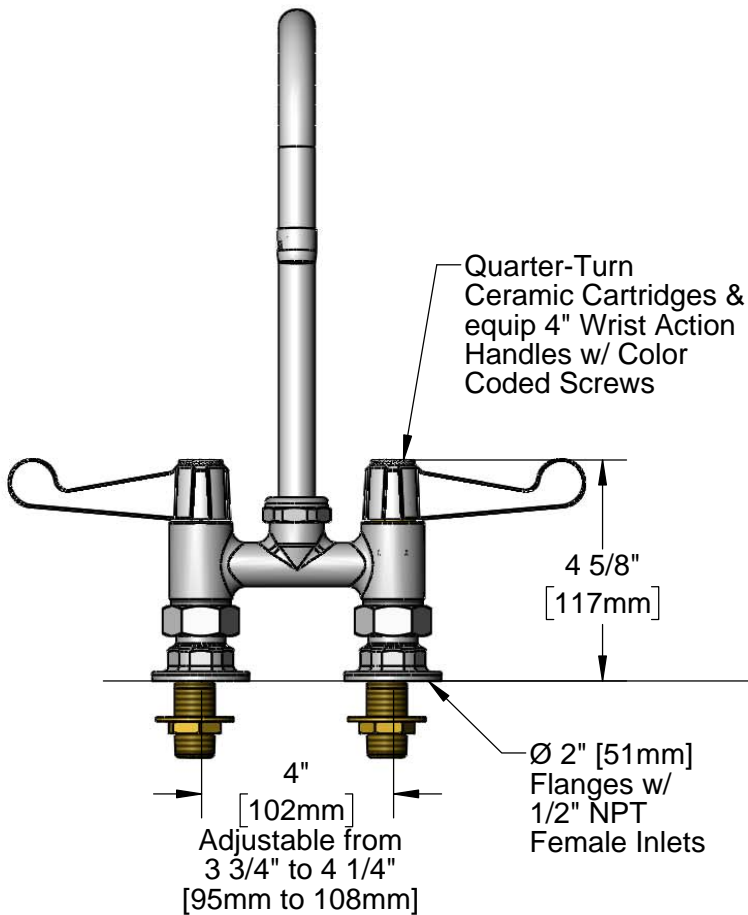
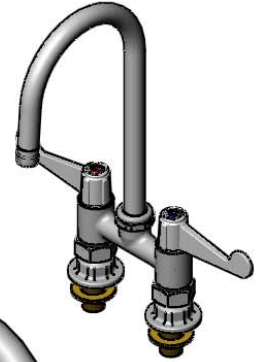
Job Name _____ Date _____

Model Specified _____ Quantity _____

Customer/Wholesaler _____

Contractor _____

Architect/Engineer _____

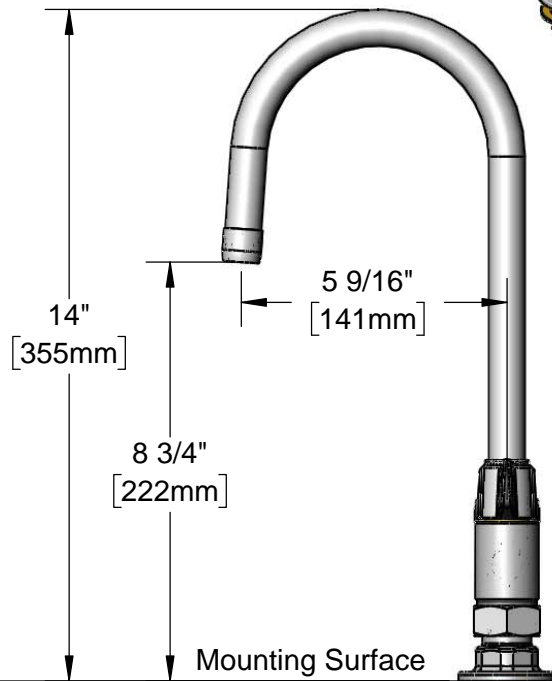


Quarter-Turn
 Ceramic Cartridges &
 equip 4" Wrist Action
 Handles w/ Color
 Coded Screws

4 5/8"
 [117mm]

4"
 [102mm]
 Adjustable from
 3 3/4" to 4 1/4"
 [95mm to 108mm]

Ø 2" [51mm]
 Flanges w/
 1/2" NPT
 Female Inlets

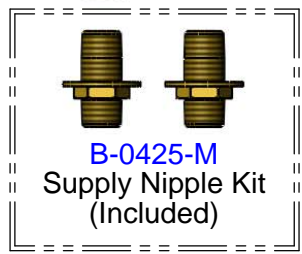


14"
 [355mm]

5 9/16"
 [141mm]

8 3/4"
 [222mm]

Mounting Surface



B-0425-M
 Supply Nipple Kit
 (Included)

Rough-In Requirement:
 (2) Ø 1" [25mm] Mounting Holes

Model Number
5F-4DWS05

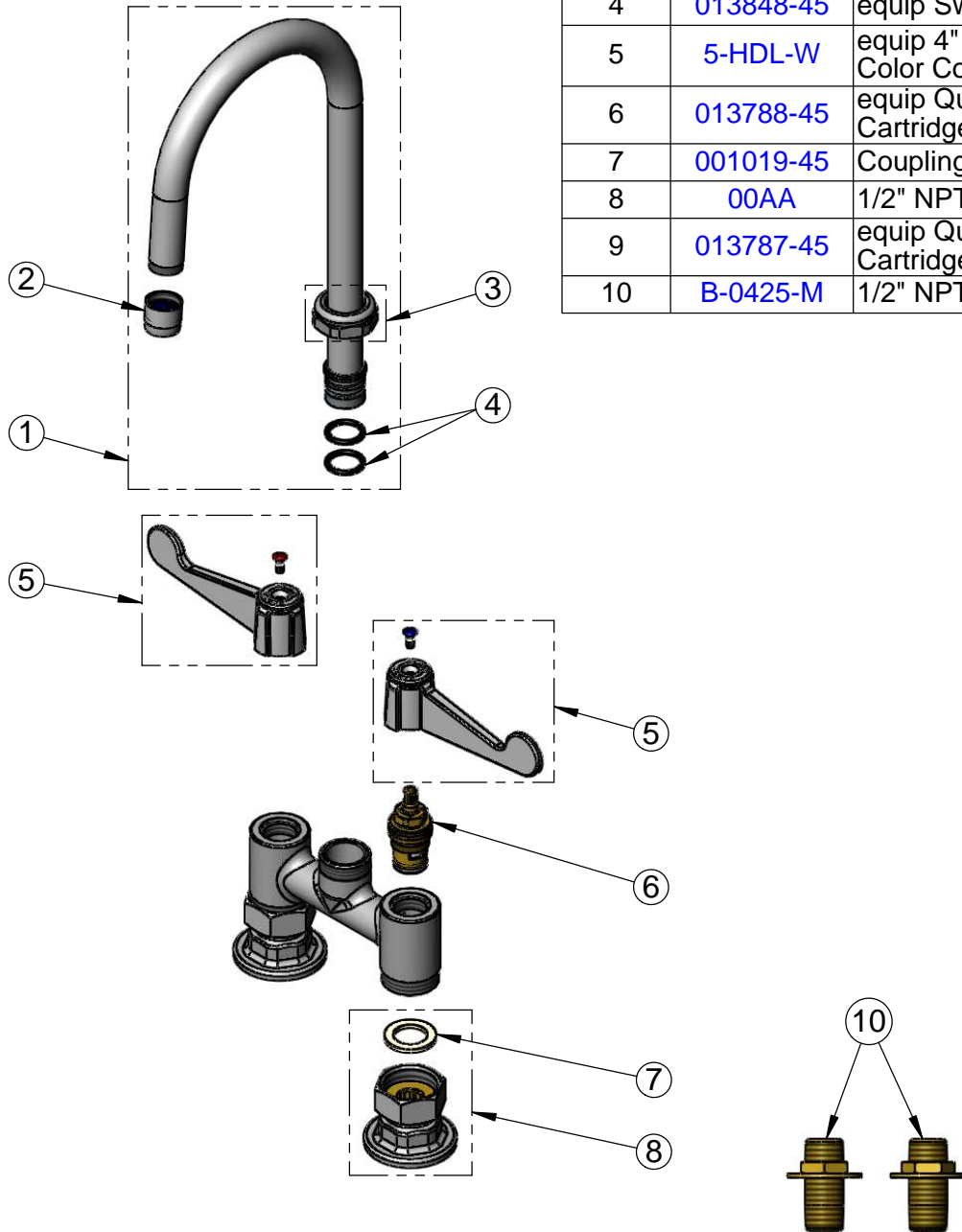
Product Specifications:
 4" Center Deck Mount Mixing Faucet w/ Quarter-Turn Ceramic Cartridges, equip 4" Wrist Action Handles, 5 1/2" equip Swivel Gooseneck & 1/2" NPT Supply Nipple Kit

Product Compliance:
 ASME A112.18.1 / CSA B125.1
 NSF 61 - Section 9
 NSF 372 (Low Lead Content)
 ANSI A117.1 (ADA)

equip Foodservice Accessories

2 Saddleback Cove, P.O. Box 1088
 Travelers Rest, South Carolina 29690
 Phone: 800.891.4808 Fax: 800.868.0084
 equip.tsbrass.com

ITEM NO.	SALES NO.	DESCRIPTION
1	5SP-05	5 1/2" equip Swivel Gooseneck
2	014250-45	Laminar Flow Device
3	013839-25	equip Swivel Nut
4	013848-45	equip Swivel Piece O-Ring
5	5-HDL-W	equip 4" Wrist Action Handle w/ Color Coded Screws
6	013788-45	equip Quarter-Turn Ceramic Cartridge, LTC
7	001019-45	Coupling Nut Washer
8	00AA	1/2" NPT Wall Flange
9	013787-45	equip Quarter-Turn Ceramic Cartridge, RTC
10	B-0425-M	1/2" NPT Supply Nipple (2)



Model Number

5F-4DWS05

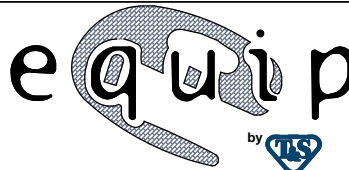
Product Specifications:

4" Center Deck Mount Mixing Faucet w/ Quarter-Turn Ceramic Cartridges, equip 4" Wrist Action Handles, 5 1/2" equip Swivel Gooseneck & 1/2" NPT Supply Nipple Kit

Product Compliance:

ASME A112.18.1 / CSA B125.1
NSF 61 - Section 9
NSF 372 (Low Lead Content)
ANSI A117.1 (ADA)

equip
Foodservice
Accessories



2 Saddleback Cove, P.O. Box 1088
Travelers Rest, South Carolina 29690
Phone: 800.891.4808 Fax: 800.868.0084
equip.tsbrass.com