



ADA Compliant

This Space for Architect/Engineer Approval

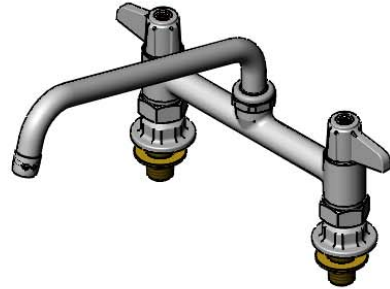
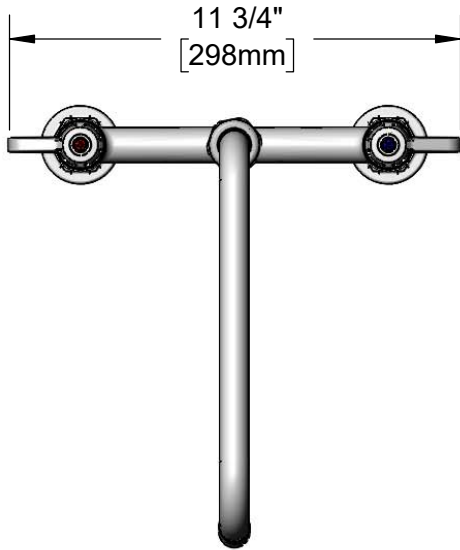
Job Name _____ Date _____

Model Specified _____ Quantity _____

Customer/Wholesaler _____

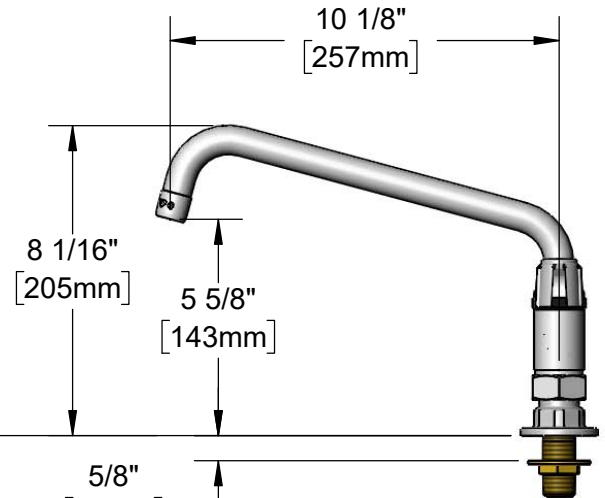
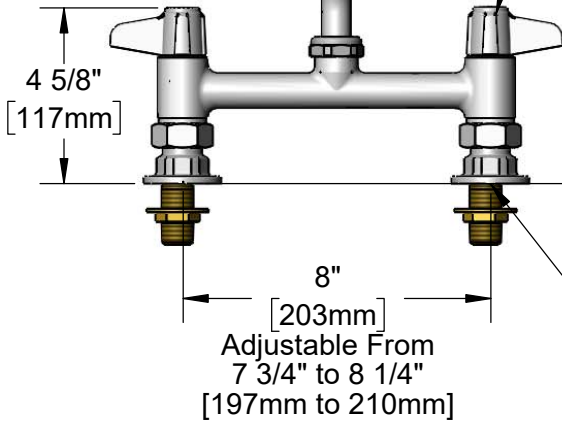
Contractor _____

Architect/Engineer _____



5SP-10
10" equip Swing Nozzle
w/ Laminar Flow Device.
Rigid Conversion Requires
014200-45 Lock Washer
(Sold Separately)

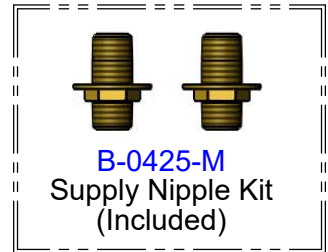
Quarter-Turn
Ceramic Cartridges &
equip Lever Handles
w/ Color Coded Screws



Mounting Surface

Ø 2" [51mm]
Flanges w/
1/2" NPT
Female Inlets

5/8"
[17mm]
Maximum
Thickness



Rough-In Requirement:
(2) Ø 1" [25mm] Mounting Holes

Model Number
5F-8DLS10

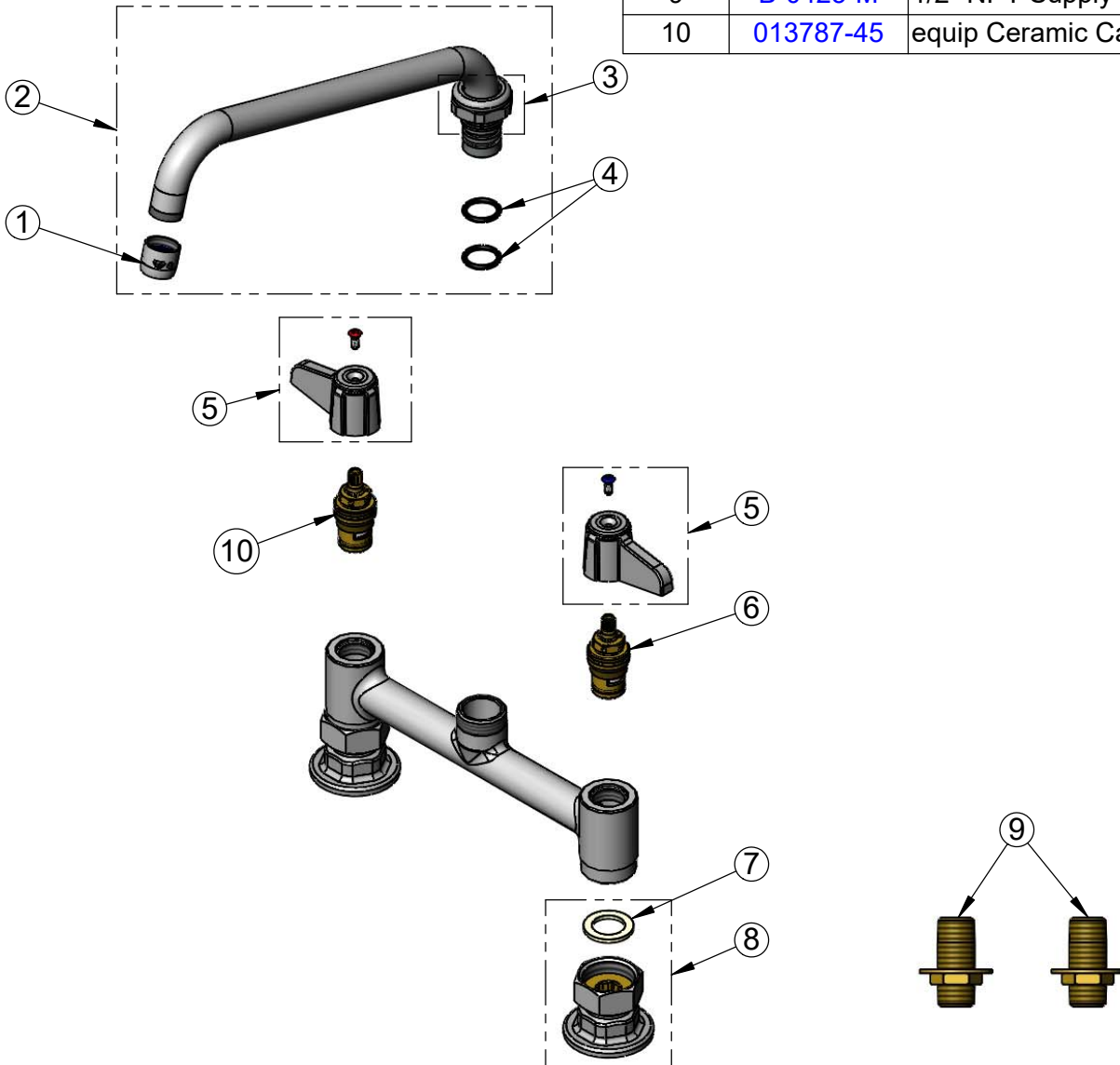
Product Specifications:
8" Deck Mount Mixing Faucet w/ Ceramic Cartridges, equip Lever Handles, 10" equip Swing Nozzle & 1/2" NPT Supply Nipple Kit

Product Compliance:
ASME A112.18.1 / CSA B125.1
NSF 61 - Section 9
NSF 372 (Low Lead Content)
ANSI A117.1 (ADA)

equip
Foodservice
Accessories

2 Saddleback Cove, P.O. Box 1088
Travelers Rest, South Carolina 29690
Phone: 800.891.4808 Fax: 800.868.0084
equip.tsbrass.com

ITEM NO.	SALES NO.	DESCRIPTION
1	014250-45	Laminar Flow Device
2	5SP-10	10" equip Swing Nozzle
3	013839-25	equip Swivel Nut
4	013848-45	equip Swivel Piece O-Ring
5	5-HDL-L	equip Lever Handle w/ Color Coded Screws
6	013788-45	equip Ceramic Cartridge, LTC
7	001019-45	Coupling Nut Washer
8	00AA	1/2" NPT Female Eccentric Flange
9	B-0425-M	1/2" NPT Supply Nipple Kit (2)
10	013787-45	equip Ceramic Cartridge, RTC



Model Number
5F-8DLS10

Product Specifications:
8" Deck Mount Mixing Faucet w/ Ceramic Cartridges, equip Lever Handles, 10" equip Swing Nozzle & 1/2" NPT Supply Nipple Kit

Product Compliance:
ASME A112.18.1 / CSA B125.1
NSF 61 - Section 9
NSF 372 (Low Lead Content)
ANSI A117.1 (ADA)

equip Foodservice Accessories



2 Saddleback Cove, P.O. Box 1088
Travelers Rest, South Carolina 29690
Phone: 800.891.4808 Fax: 800.868.0084
equip.tsbrass.com