



ADA Compliant

This Space for Architect/Engineer Approval

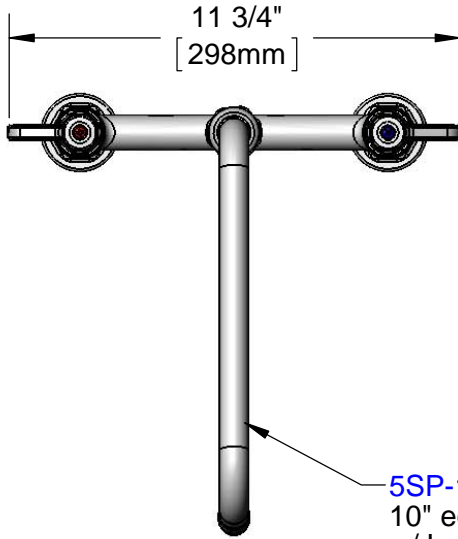
Job Name _____ Date _____

Model Specified _____ Quantity _____

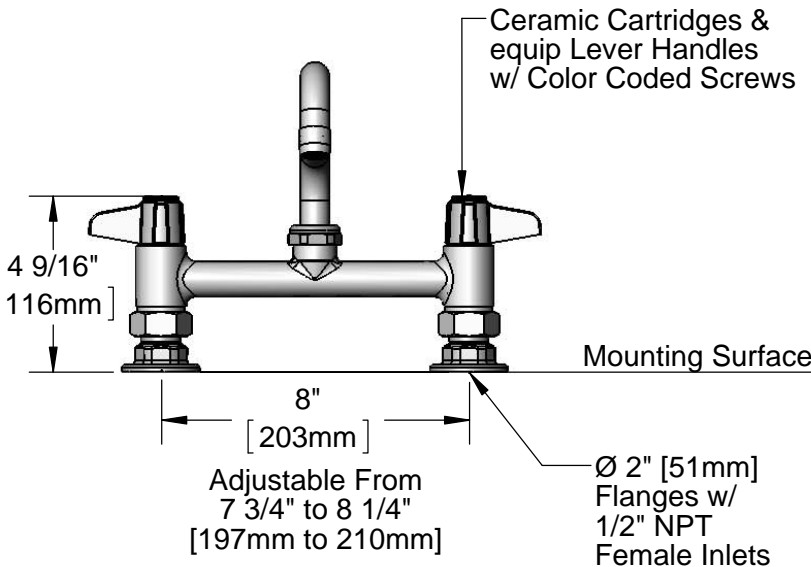
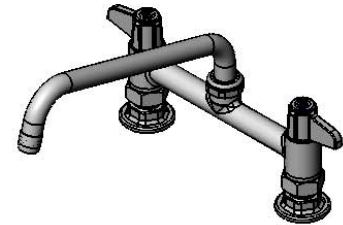
Customer/Wholesaler _____

Contractor _____

Architect/Engineer _____



5SP-10
10" equip Swing Nozzle
w/ Laminar Flow Device.
Rigid Conversion Requires
014200-45 Lock Washer
(Sold Separately)



Ceramic Cartridges &
equip Lever Handles
w/ Color Coded Screws

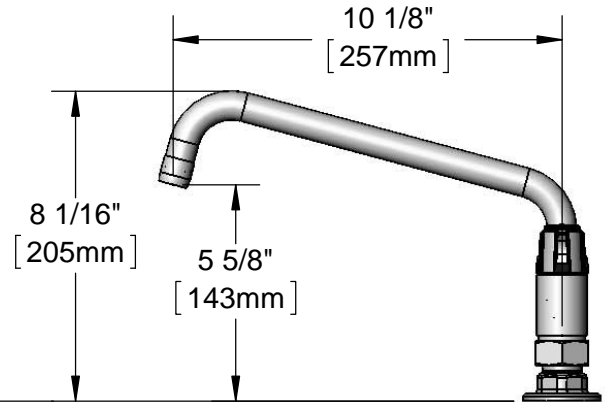
4 9/16"
[116mm]

8"
[203mm]

Adjustable From
7 3/4" to 8 1/4"
[197mm to 210mm]

Mounting Surface

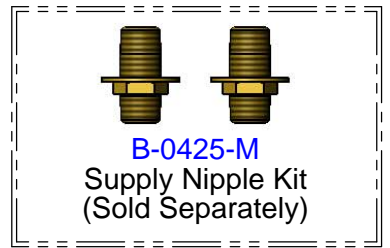
Ø 2" [51mm]
Flanges w/
1/2" NPT
Female Inlets



8 1/16"
[205mm]

5 5/8"
[143mm]

10 1/8"
[257mm]



B-0425-M
Supply Nipple Kit
(Sold Separately)

Model Number

5F-8DLX10

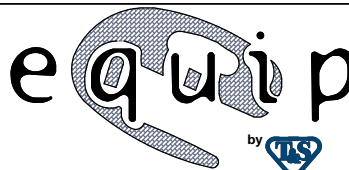
Product Specifications:

8" Deck Mount Mixing Faucet, Ceramic Cartridges,
equip Lever Handles, 10" equip Swing Nozzle
& 1/2" NPT Female Inlets

Product Compliance:

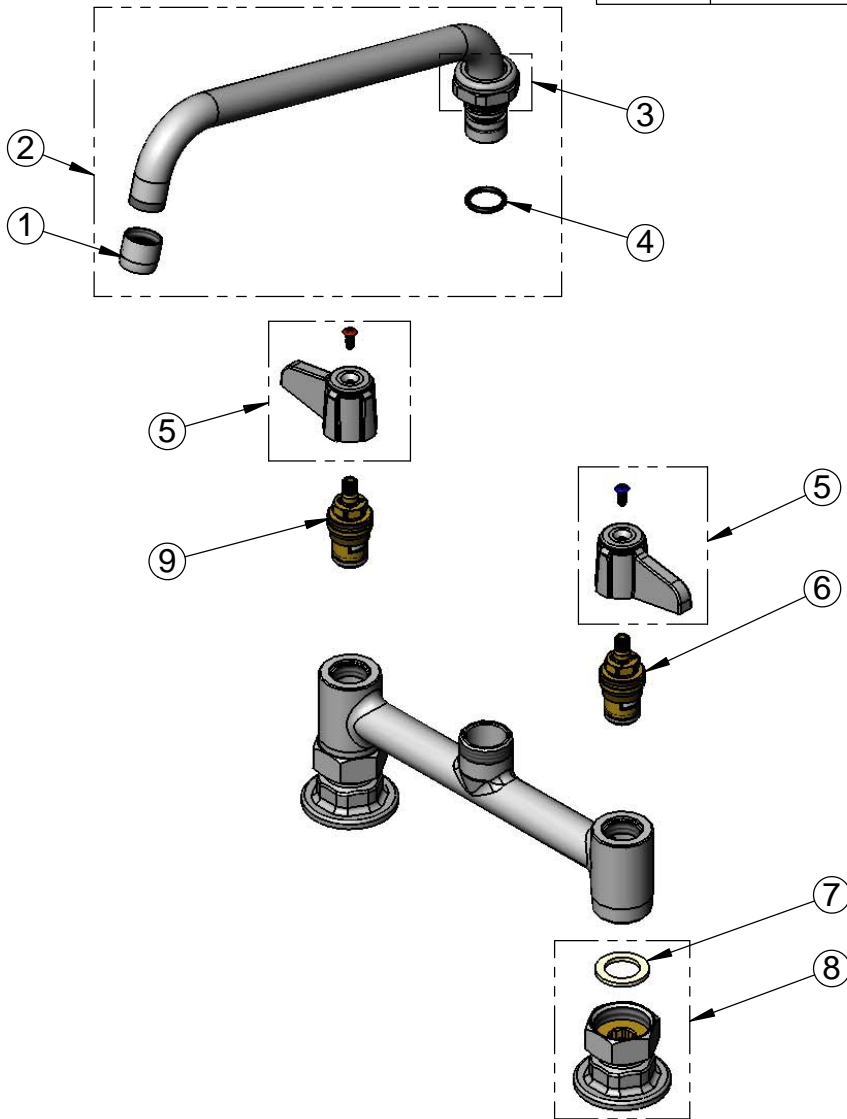
ASME A112.18.1 / CSA B125.1
NSF 61 - Section 9
NSF 372 (Low Lead Content)
ANSI A117.1 (ADA)

equip
Foodservice
Accessories



2 Saddleback Cove, P.O. Box 1088
Travelers Rest, South Carolina 29690
Phone: 800.891.4808 Fax: 800.868.0084
equip.tsbrass.com

ITEM NO.	SALES NO.	DESCRIPTION
1	014250-45	Laminar Flow Device
2	5SP-10	10" equip Swing Nozzle
3	013839-25	equip Swivel Nut
4	013848-45	equip Swivel Piece O-Ring
5	5-HDL-L	equip Lever Handle w/ Color Coded Screws
6	013788-45	equip Ceramic Cartridge, LTC
7	001019-45	Coupling Nut Washer
8	00AA	1/2" NPT Female Eccentric Flange
9	013787-45	equip Ceramic Cartridge, RTC



Model Number

5F-8DLX10

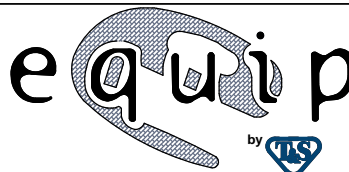
Product Specifications:

8" Deck Mount Mixing Faucet, Ceramic Cartridges,
equip Lever Handles, 10" equip Swing Nozzle
& 1/2" NPT Female Inlets

Product Compliance:

ASME A112.18.1 / CSA B125.1
NSF 61 - Section 9
NSF 372 (Low Lead Content)
ANSI A117.1 (ADA)

equip
Foodservice
Accessories



2 Saddleback Cove, P.O. Box 1088
Travelers Rest, South Carolina 29690
Phone: 800.891.4808 Fax: 800.868.0084
equip.tsbrass.com