



ADA Compliant

*This Space for Architect/Engineer Approval*

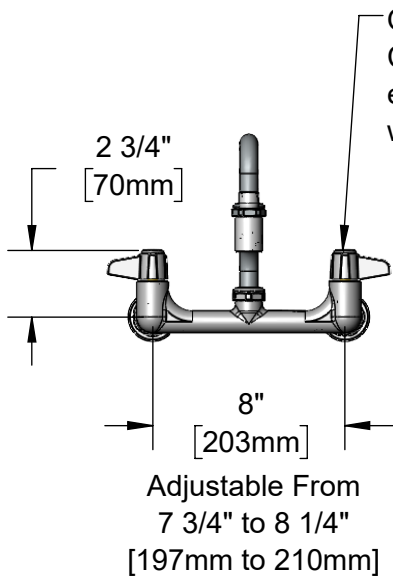
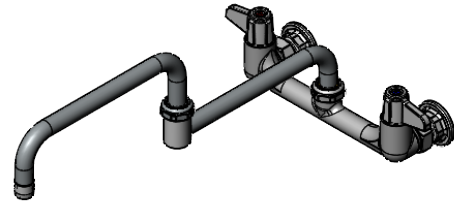
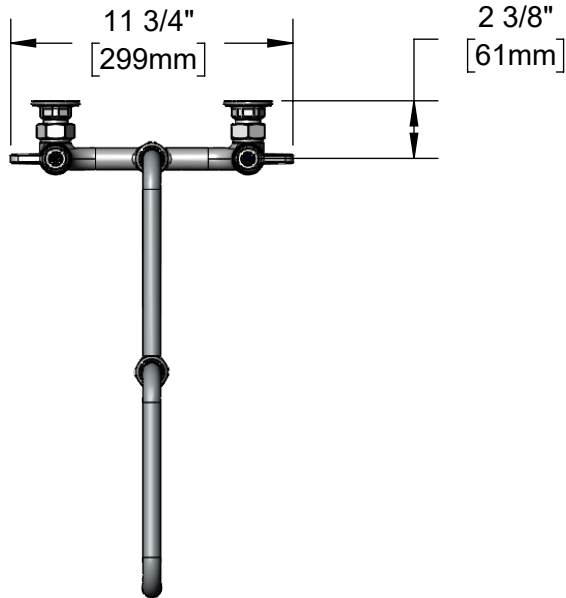
Job Name \_\_\_\_\_ Date \_\_\_\_\_

Model Specified \_\_\_\_\_ Quantity \_\_\_\_\_

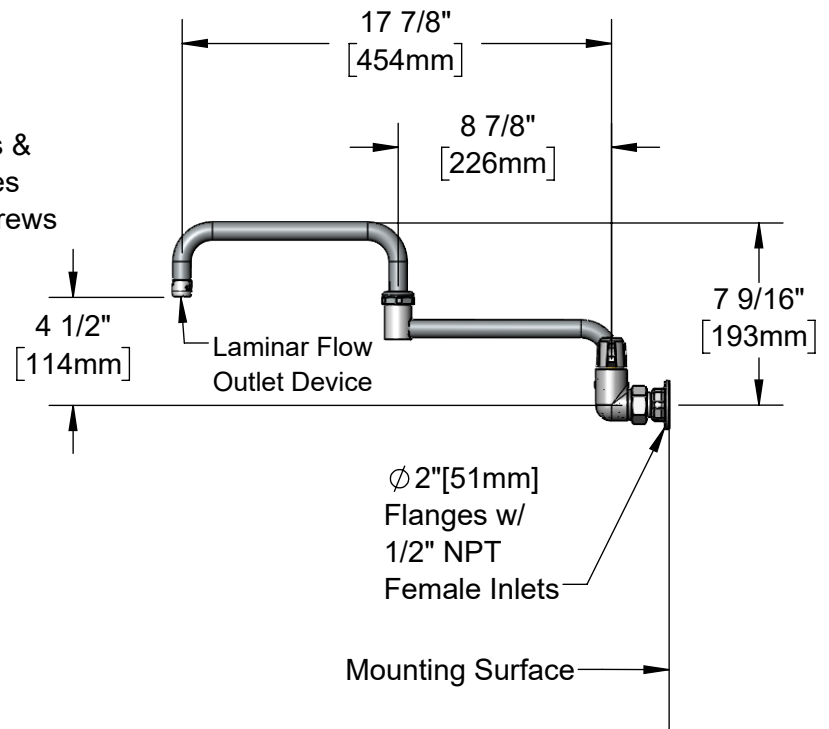
Customer/Wholesaler \_\_\_\_\_

Contractor \_\_\_\_\_

Architect/Engineer \_\_\_\_\_



Quarter-Turn Ceramic Cartridges & equip Lever Handles w/ Color Coded Screws



Model Number

**5F-8WLX18DJ**

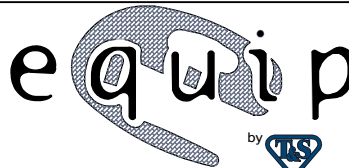
Product Specifications:

**8" Wall Mixing Faucet, Quarter-Turn Ceramic Cartridges, 18" Double Joint Swing Nozzle w/ Laminar Flow Device, equip Lever Handles & 1/2" NPT Female Inlets**

Product Compliance:

ASME A112.18.1 / CSA B125.1  
NSF 61 - Section 9  
NSF 372 (Low Lead Content)  
ANSI A117.1 (ADA)

equip  
Foodservice  
Accessories



2 Saddleback Cove, P.O. Box 1088  
Travelers Rest, South Carolina 29690  
Phone: 800.891.4808 Fax: 800.868.0084  
equip.tsbrass.com

Drawn: TRK

Checked: JRM

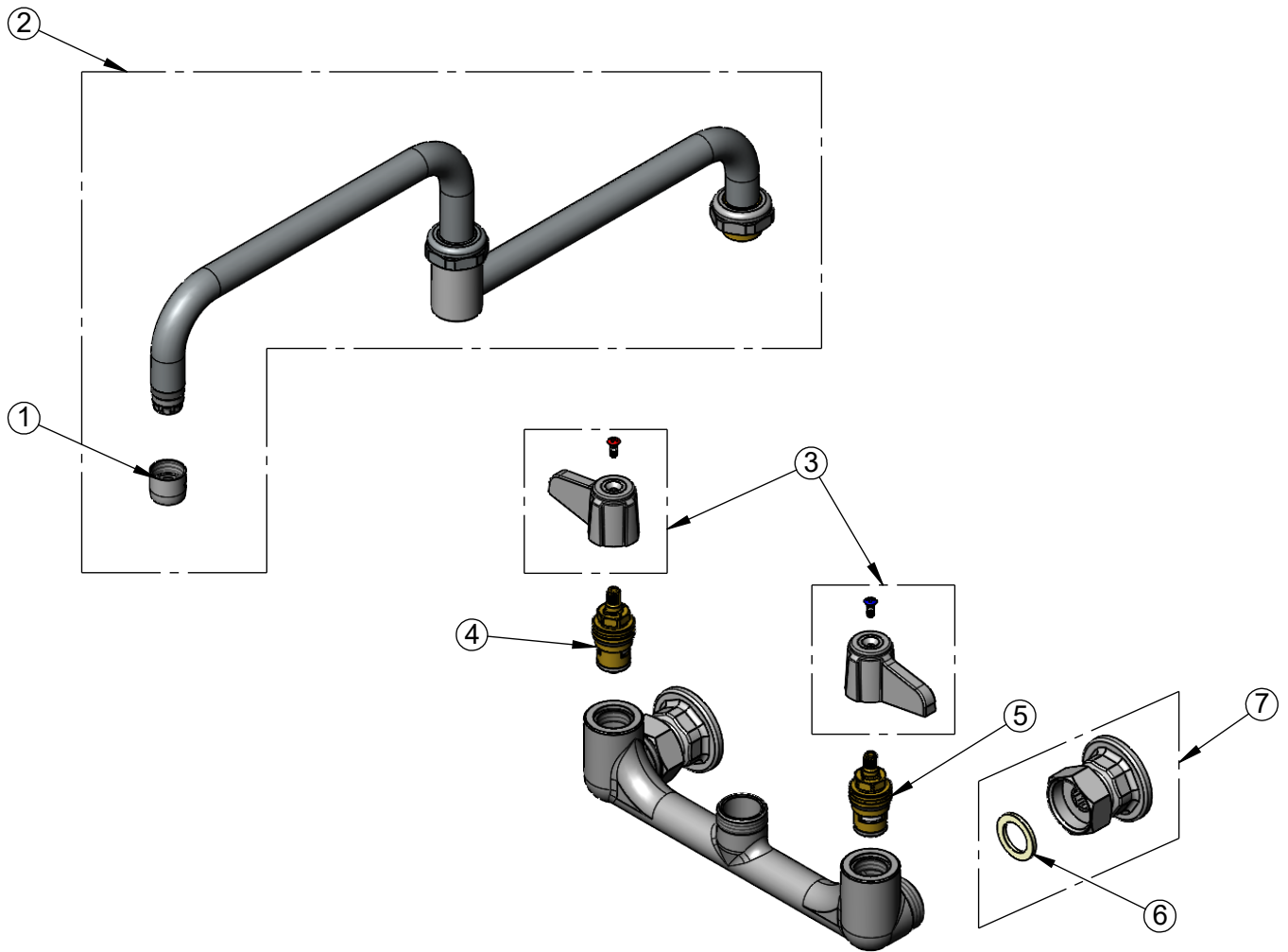
Approved: JHB

Date: 03/11/24

Scale: 1:8

Sheet: 1 of 2

ITEM	SALES NO.	DESCRIPTION
1	014250-45	Laminar Full Flow Device
2	5DJ-18	equip 18" Double-Joint Swing Nozzle
3	5-HDL-L	equip Lever Handle w/ Color Coded Screws
4	013787-45	equip Quarter-Turn Ceramic Cartridge, RTC
5	013788-45	equip Quarter-Turn Ceramic Cartridge, LTC
6	001019-45	Coupling Nut Washer
7	00AA	1/2" NPT Flange Assembly



Model Number  
**5F-8WLX18DJ**

Product Specifications:  
**8" Wall Mixing Faucet, Quarter-Turn Ceramic Cartridges, 18" Double Joint Swing Nozzle w/ Laminar Flow Device, equip Lever Handles & 1/2" NPT Female Inlets**

Product Compliance:  
ASME A112.18.1 / CSA B125.1  
NSF 61 - Section 9  
NSF 372 (Low Lead Content)  
ANSI A117.1 (ADA)

equip  
Foodservice  
Accessories



2 Saddleback Cove, P.O. Box 1088  
Travelers Rest, South Carolina 29690  
Phone: 800.891.4808 Fax: 800.868.0084  
equip.tsbrass.com