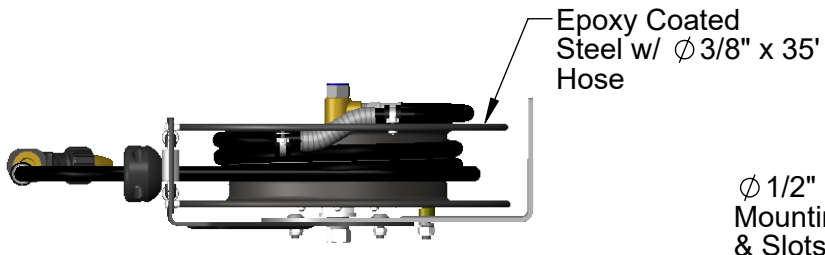
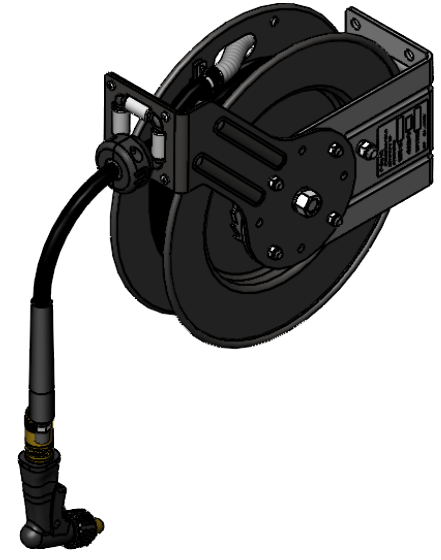
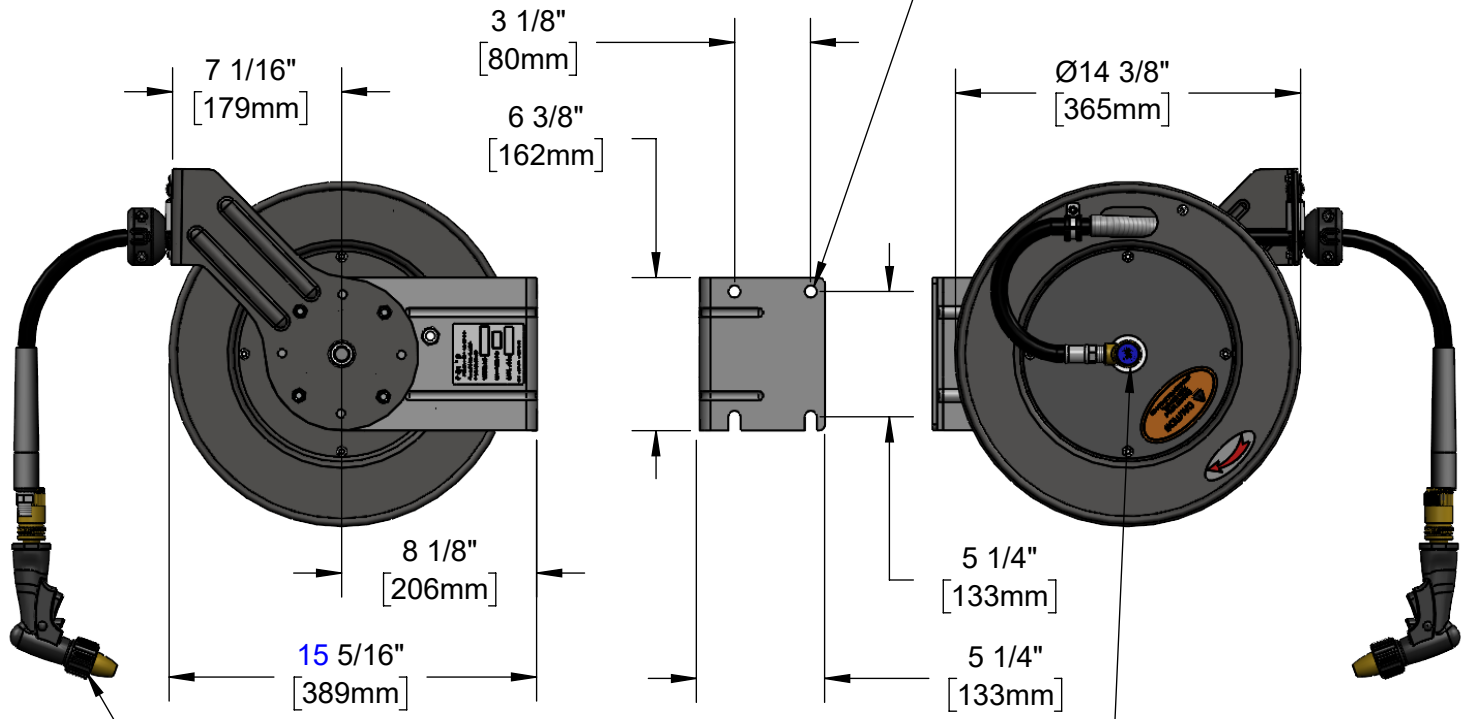


*This Space for Architect/Engineer Approval*

Job Name \_\_\_\_\_ Date \_\_\_\_\_  
 Model Specified \_\_\_\_\_ Quantity \_\_\_\_\_  
 Customer/Wholesaler \_\_\_\_\_  
 Contractor \_\_\_\_\_  
 Architect/Engineer \_\_\_\_\_



$\varnothing 1/2"$  [13mm] Mounting Holes & Slots



5WG-1000-01  
 Water Gun w/  
 Quick Disconnect &  
 3/8" & 1/2" Adapters

Stainless Steel  
 Shaft & Brass  
 Swivel w/ 3/8"  
 NPT Female Inlet  
 (Left Side of Reel)

Model Number  
**5HR-232-09**

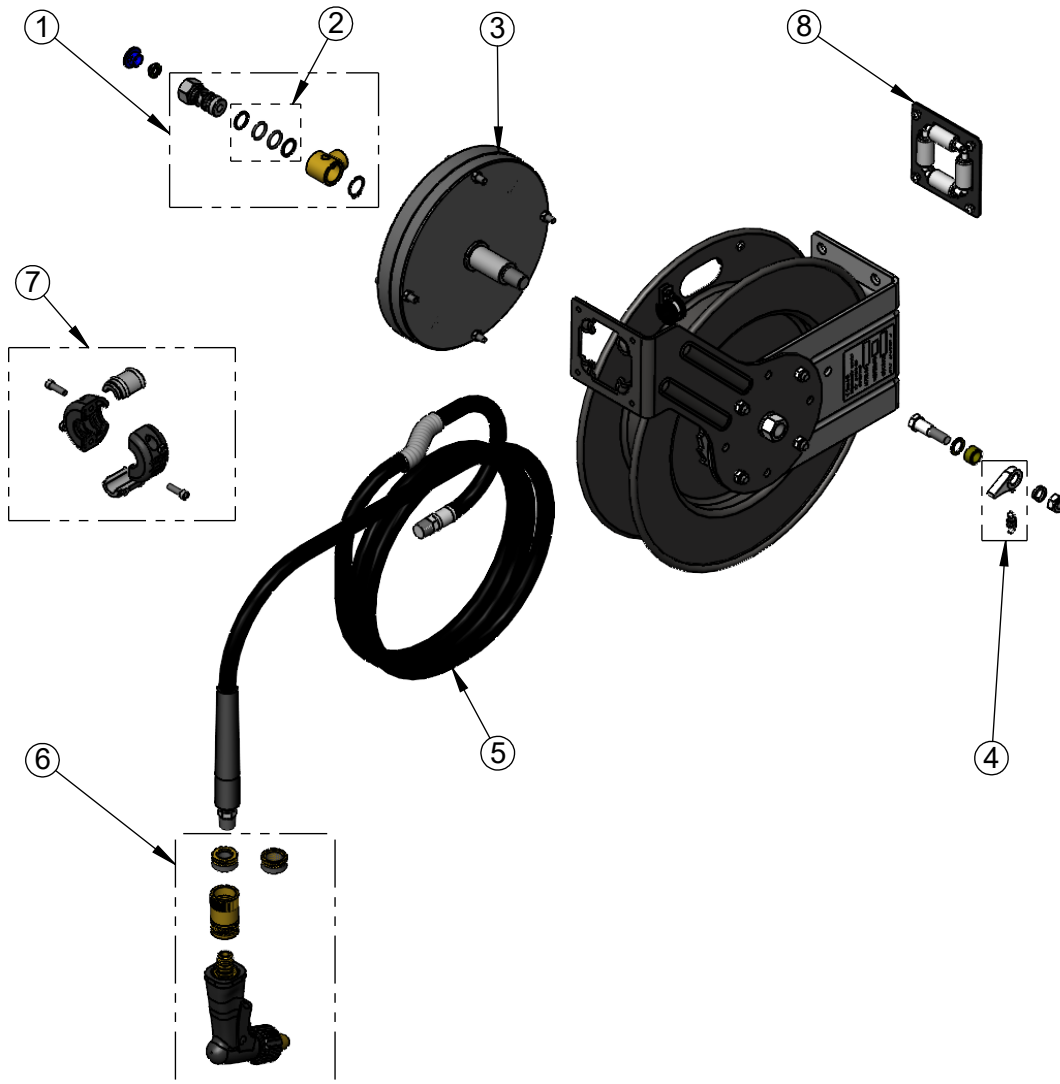
Product Specifications:  
 Epoxy Coated Steel, Open Hose Reel  
 w/  $\varnothing 3/8"$  x 35' Hose & Water Gun w/ Adapters

Product Compliance:  
 EPAAct 2005 Non-Compliant (PRSV)  
 NSF 61 Exempt (Non-Potable)

equip Foodservice Accessories

2 Saddleback Cove, P.O. Box 1088  
 Travelers Rest, South Carolina 29690  
 Phone: 800.891.4808 Fax: 800.868.0084  
 equip.tsbrass.com

ITEM NO.	SALES NO.	DESCRIPTION
1	5HR-2SA	Complete 3/8" Swivel
2	014948-45	Seal Kit
3	G016682-45	Spring
4	014940-45	Ratchet Repair Kit
5	5HR-2HSE-35	Ø 3/8" x 35' Hose
6	5WG-1000-01	equip Water Gun w/ QD and 1/2" & 3/8" Adapter
7	019246-45	Hose Stop Repair Kit
8	G016631-45	Roller Kit



Model Number

**5HR-232-09**

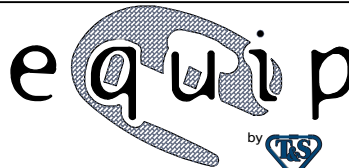
Product Specifications:

Epoxy Coated Steel, Open Hose Reel  
w/ Ø3/8" x 35' Hose & Water Gun w/ Adapters

Product Compliance:

EPA Act 2005 Non-Compliant (PRSV)  
NSF 61 Exempt (Non-Potable)

equip  
Foodservice  
Accessories



2 Saddleback Cove, P.O. Box 1088  
Travelers Rest, South Carolina 29690  
Phone: 800.891.4808 Fax: 800.868.0084  
equip.tsbrass.com