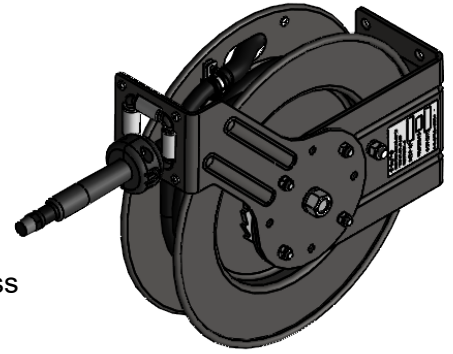


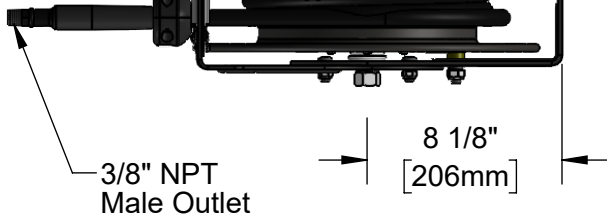
This Space for Architect/Engineer Approval

Job Name _____ Date _____
 Model Specified _____ Quantity _____
 Customer/Wholesaler _____
 Contractor _____
 Architect/Engineer _____

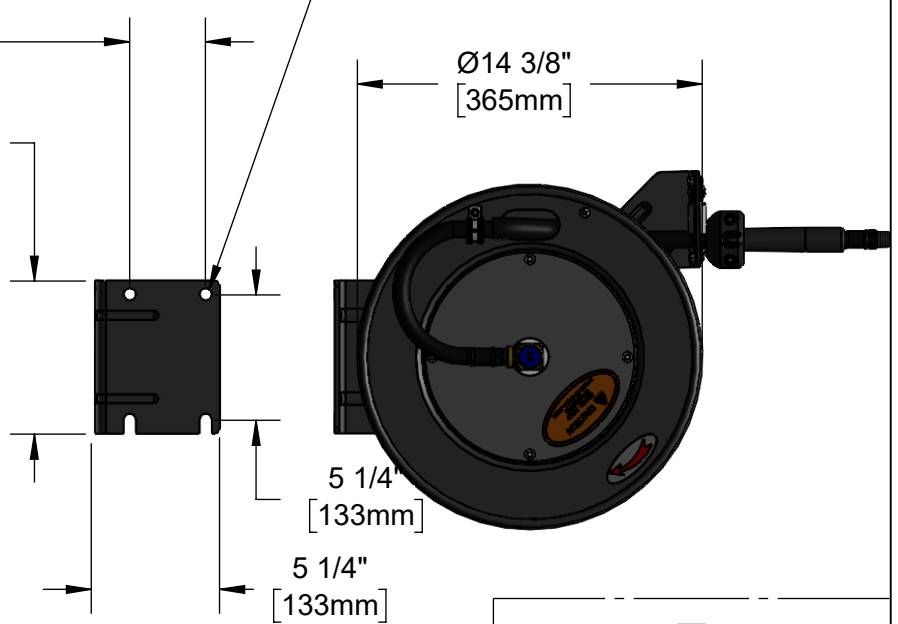
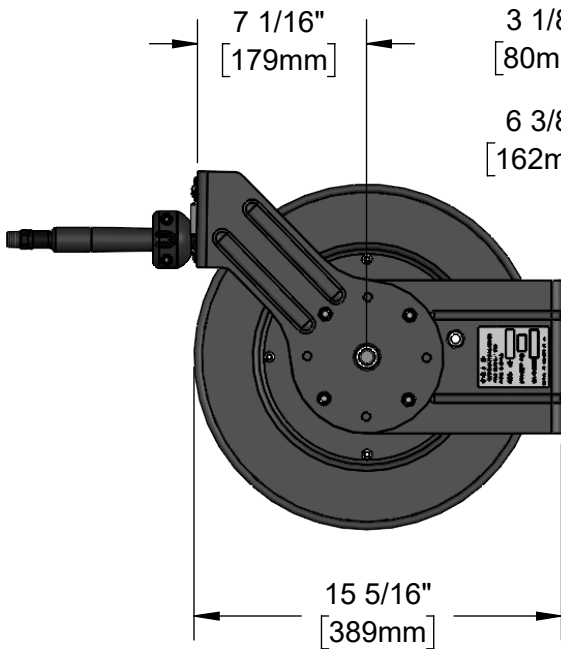


Stainless Steel Shaft & Brass Swivel w/ 3/8" NPT Female Inlet (Left Side of Reel)

Powder Coated Steel w/ Ø 3/8" x 35' Hose



Ø1/2" [13mm] Mounting Holes & Slots



019129-25
 Reducing Adapter
 3/8" NPT Male x 1/2" NPT Female (Included)

Model Number
5HR-232-A

Product Specifications:
 Powder Coated Steel, Open Hose Reel w/
 Ø3/8" x 35' Hose, Reducing Adapter & Less Spray Valve

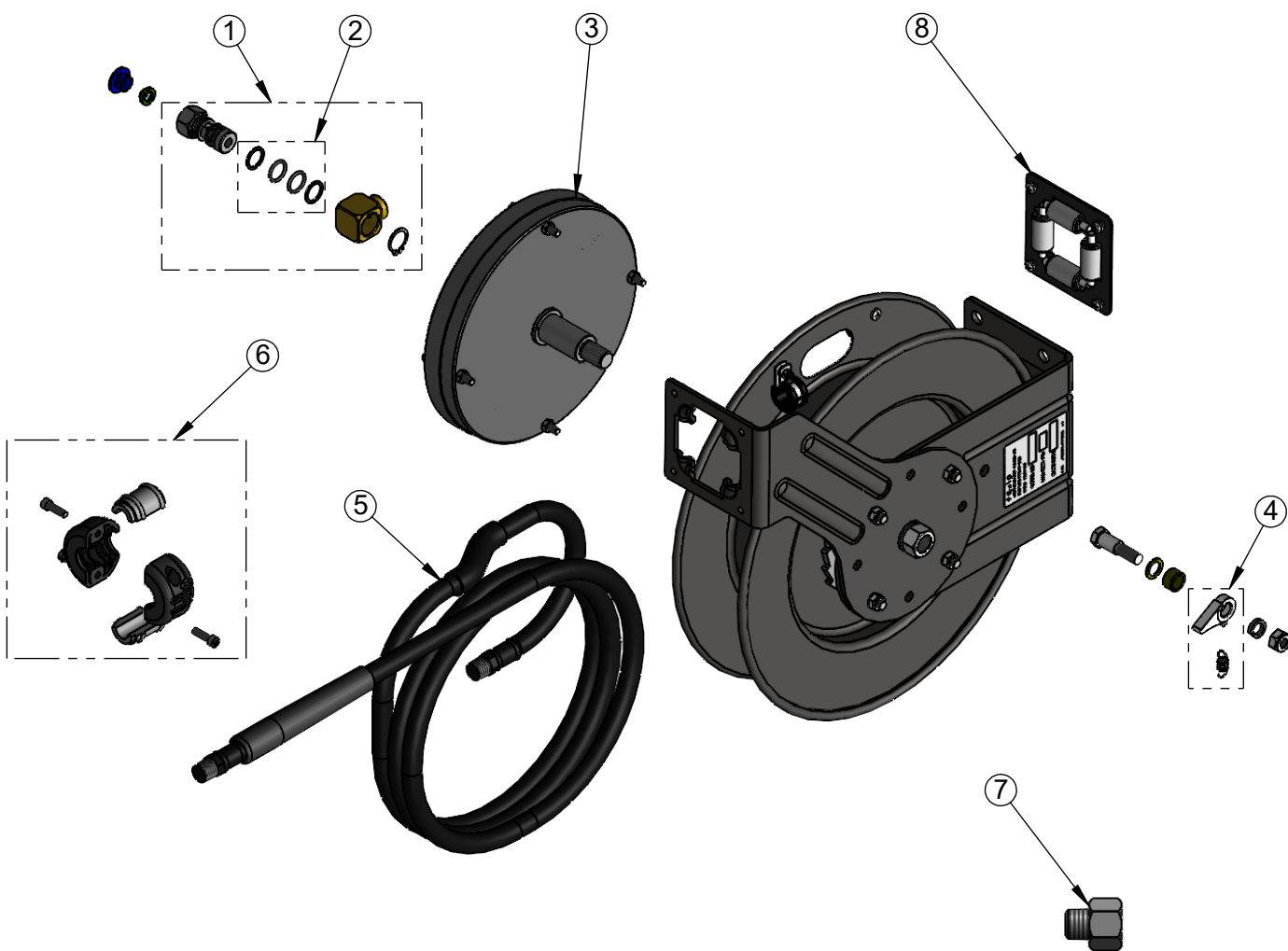
Product Compliance:
 NSF 61 Exempt (Non-Potable)

equip Foodservice Accessories



2 Saddleback Cove, P.O. Box 1088
 Travelers Rest, South Carolina 29690
 Phone: 800.891.4808 Fax: 800.868.0084
 equip.tsbrass.com

ITEM NO.	SALES NO.	DESCRIPTION
1	5HR-2SA	Complete 3/8" Swivel Assembly
2	014948-45	Seal Kit
3	G016682-45	Spring Assembly
4	014940-45	Ratchet Repair Kit
5	5HR-2HSE-35	Ø 3/8" x 35' Hose
6	019246-45	Hose Stop Repair Kit
7	019129-25	Reducing Adapter, 3/8" NPT Male x 1/2" NPT Female
8	G016631-45	Roller Kit



Model Number

5HR-232-A

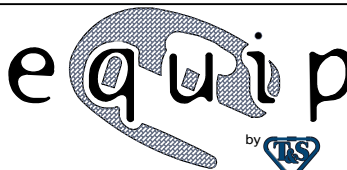
Product Specifications:

Powder Coated Steel, Open Hose Reel w/
Ø3/8" x 35' Hose, Reducing Adapter & Less Spray Valve

Product Compliance:

NSF 61 Exempt (Non-Potable)

equip
Foodservice
Accessories



2 Saddleback Cove, P.O. Box 1088
Travelers Rest, South Carolina 29690
Phone: 800.891.4808 Fax: 800.868.0084
equip.tsbrass.com