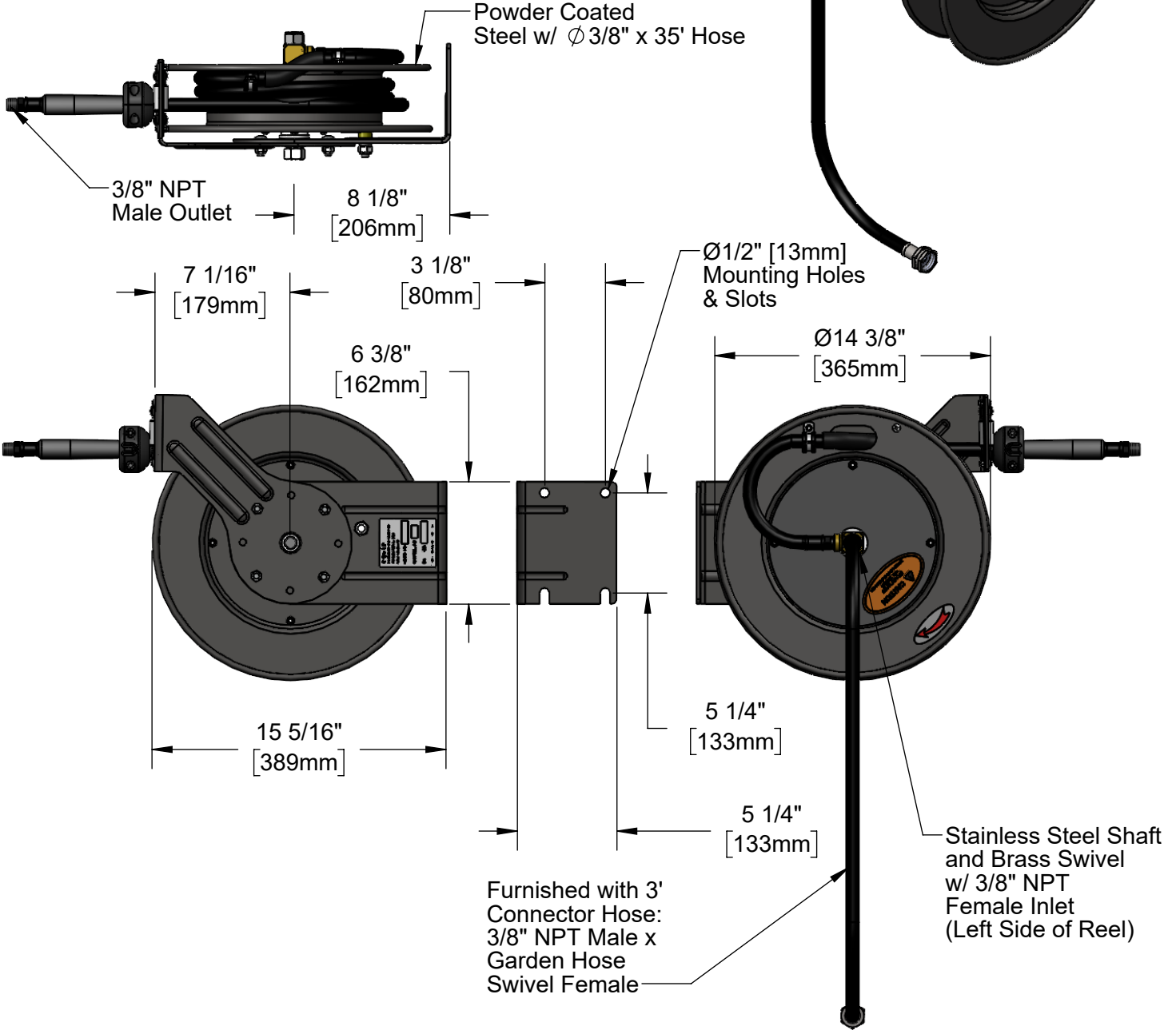
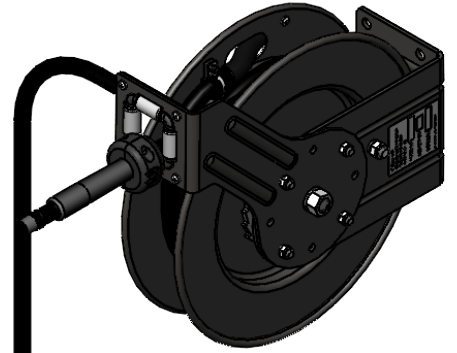


This Space for Architect/Engineer Approval

Job Name _____ Date _____
 Model Specified _____ Quantity _____
 Customer/Wholesaler _____
 Contractor _____
 Architect/Engineer _____



Model Number
5HR-232-GH

Product Compliance:
 NSF 61 Exempt (Non-Potable)

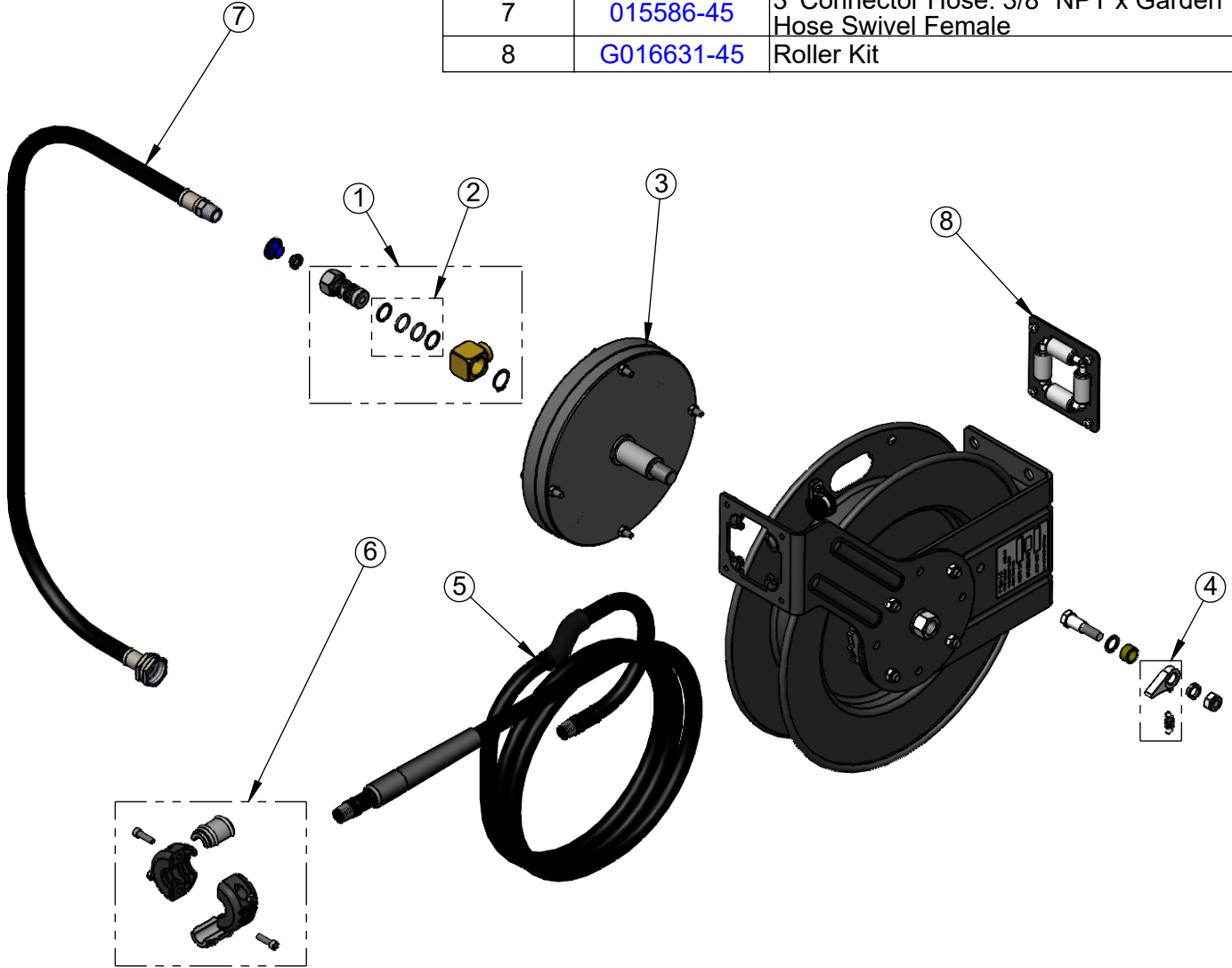
Product Specifications:
 Powder Coated Steel, Open Hose Reel
 w/ 3/8" x 35' Hose & 3' Connector Hose, Less Spray Valve

equip Foodservice Accessories



2 Saddleback Cove, P.O. Box 1088
 Travelers Rest, South Carolina 29690
 Phone: 800.891.4808 Fax: 800.868.0084
 equip.tsbrass.com

| ITEM NO. | SALES NO. | DESCRIPTION |
|----------|-------------|---|
| 1 | 5HR-2SA | Complete 3/8" Swivel Assembly |
| 2 | 014948-45 | Seal Kit |
| 3 | G016682-45 | Spring Assembly |
| 4 | 014940-45 | Ratchet Repair Kit |
| 5 | 5HR-2HSE-35 | Ø 3/8" x 35' Hose |
| 6 | 019246-45 | Hose Stop Repair Kit |
| 7 | 015586-45 | 3' Connector Hose: 3/8" NPT x Garden Hose Swivel Female |
| 8 | G016631-45 | Roller Kit |



Model Number

5HR-232-GH

Product Specifications:

Powder Coated Steel, Open Hose Reel
w/ 3/8" x 35' Hose & 3' Connector Hose, Less Spray Valve

Product Compliance:

NSF 61 Exempt (Non-Potable)

equip
Foodservice
Accessories



2 Saddleback Cove, P.O. Box 1088
Travelers Rest, South Carolina 29690
Phone: 800.891.4808 Fax: 800.868.0084
equip.tsbrass.com