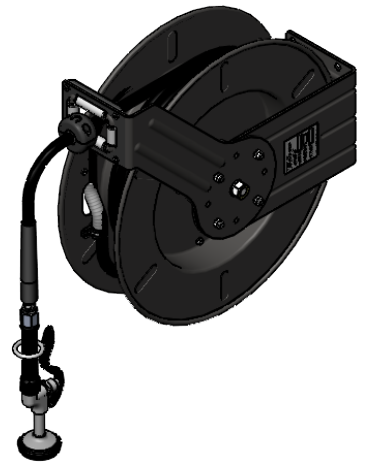
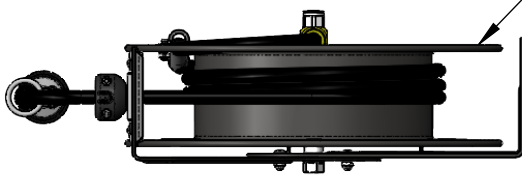


This Space for Architect/Engineer Approval

Job Name _____ Date _____
 Model Specified _____ Quantity _____
 Customer/Wholesaler _____
 Contractor _____
 Architect/Engineer _____

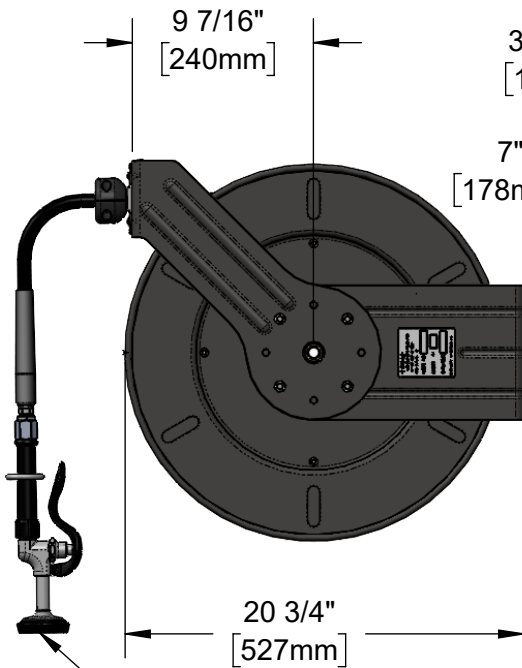


Powder Coated Steel w/ \varnothing 3/8" x 50' Hose



10 15/16"
[278mm]

\varnothing 1/2"
[13mm]
Mounting Holes
& Slots



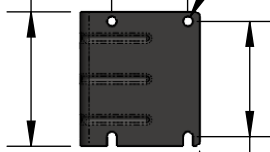
9 7/16"
[240mm]

3 15/16"
[100mm]

7"
[178mm]

20 3/4"
[527mm]

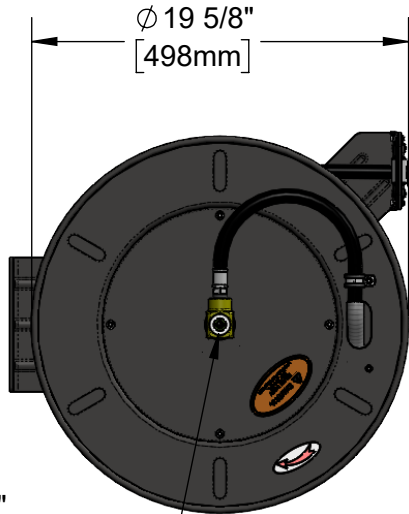
5SV-WH
High Flow
Spray Valve



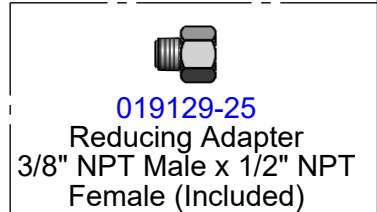
Stainless Steel Shaft & Brass Swivel w/ 3/8" NPT Female Inlet (Left Side of Reel)

6"
[152mm]

6 3/8"
[162mm]



\varnothing 19 5/8"
[498mm]



Model Number
5HR-242-01-A

Product Specifications:
Powder Coated Steel, Open Hose Reel w/ \varnothing 3/8" x 50' Hose, Reducing Adapter & High Flow Spray Valve

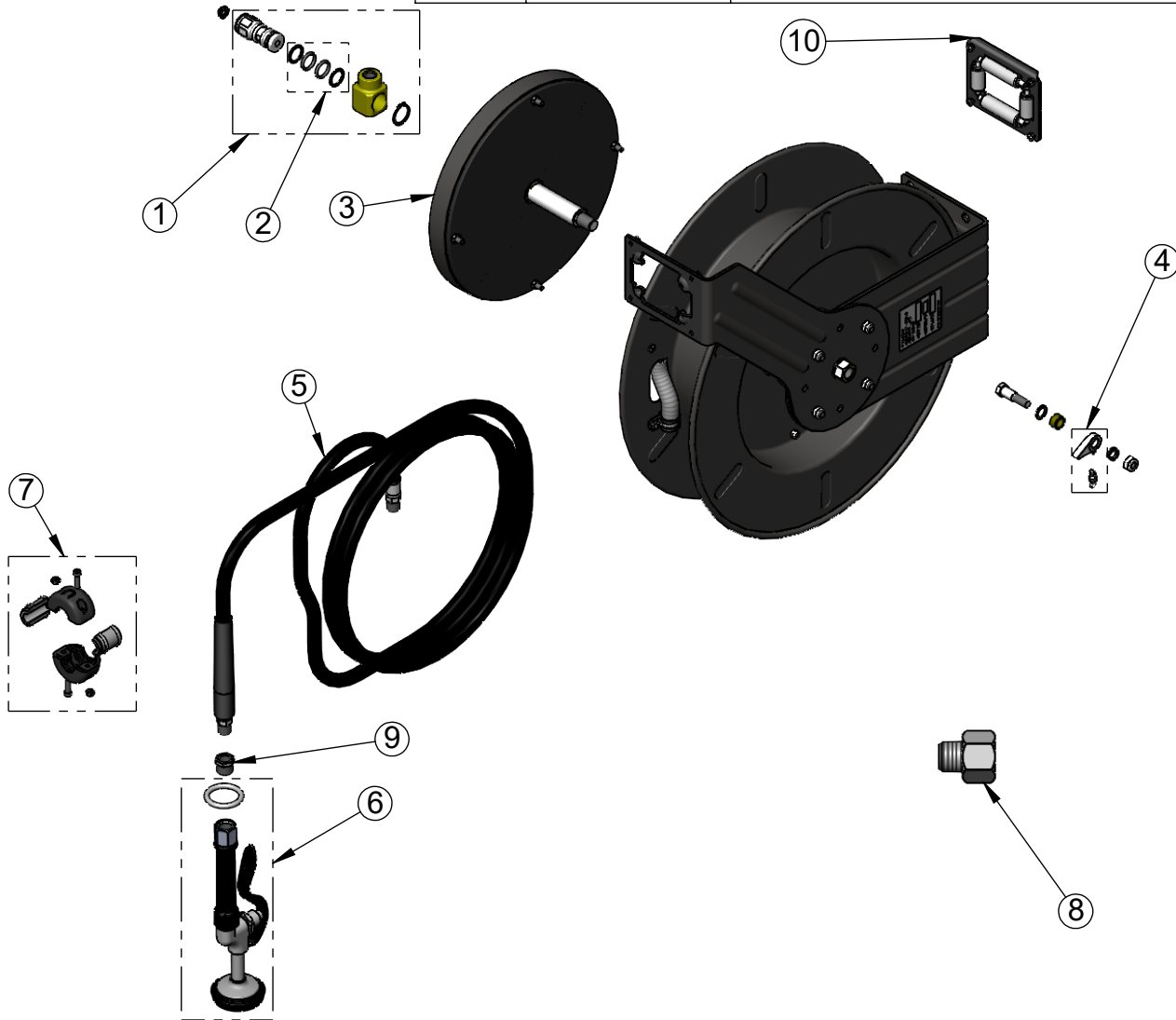
Product Compliance:
EPAAct 2005 Non-Compliant (PRSV)
NSF 61 Exempt (Non-Potable)

equip Foodservice Accessories



2 Saddleback Cove, P.O. Box 1088
Travelers Rest, South Carolina 29690
Phone: 800.891.4808 Fax: 800.868.0084
equip.tsbrass.com

ITEM NO.	SALES NO.	DESCRIPTION
1	5HR-2SA	Complete 3/8" Swivel
2	014948-45	Seal Kit
3	G016684-45	Spring
4	014940-45	Ratchet Repair Kit
5	5HR-2HSE-50	Ø 3/8" x 50' Hose
6	5SV-WH	Hose Reel Spray Valve
7	019246-45	Hose Stop Repair Kit
8	019129-25	Reducing Adapter, 3/8" NPT x 1/2" NPT Female
9	001359-40	Adapter, 1/2" NPT Male x 3/8" NPT Female
10	G016635-45	Roller Kit



Model Number

5HR-242-01-A

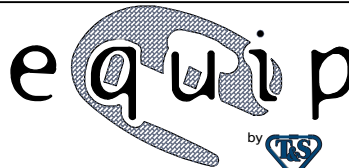
Product Specifications:

Powder Coated Steel, Open Hose Reel
w/ Ø3/8" x 50' Hose, Reducing Adapter &
High Flow Spray Valve

Product Compliance:

EPA Act 2005 Non-Compliant (PRSV)
NSF 61 Exempt (Non-Potable)

equip
Foodservice
Accessories



2 Saddleback Cove, P.O. Box 1088
Travelers Rest, South Carolina 29690
Phone: 800.891.4808 Fax: 800.868.0084
equip.tsbrass.com