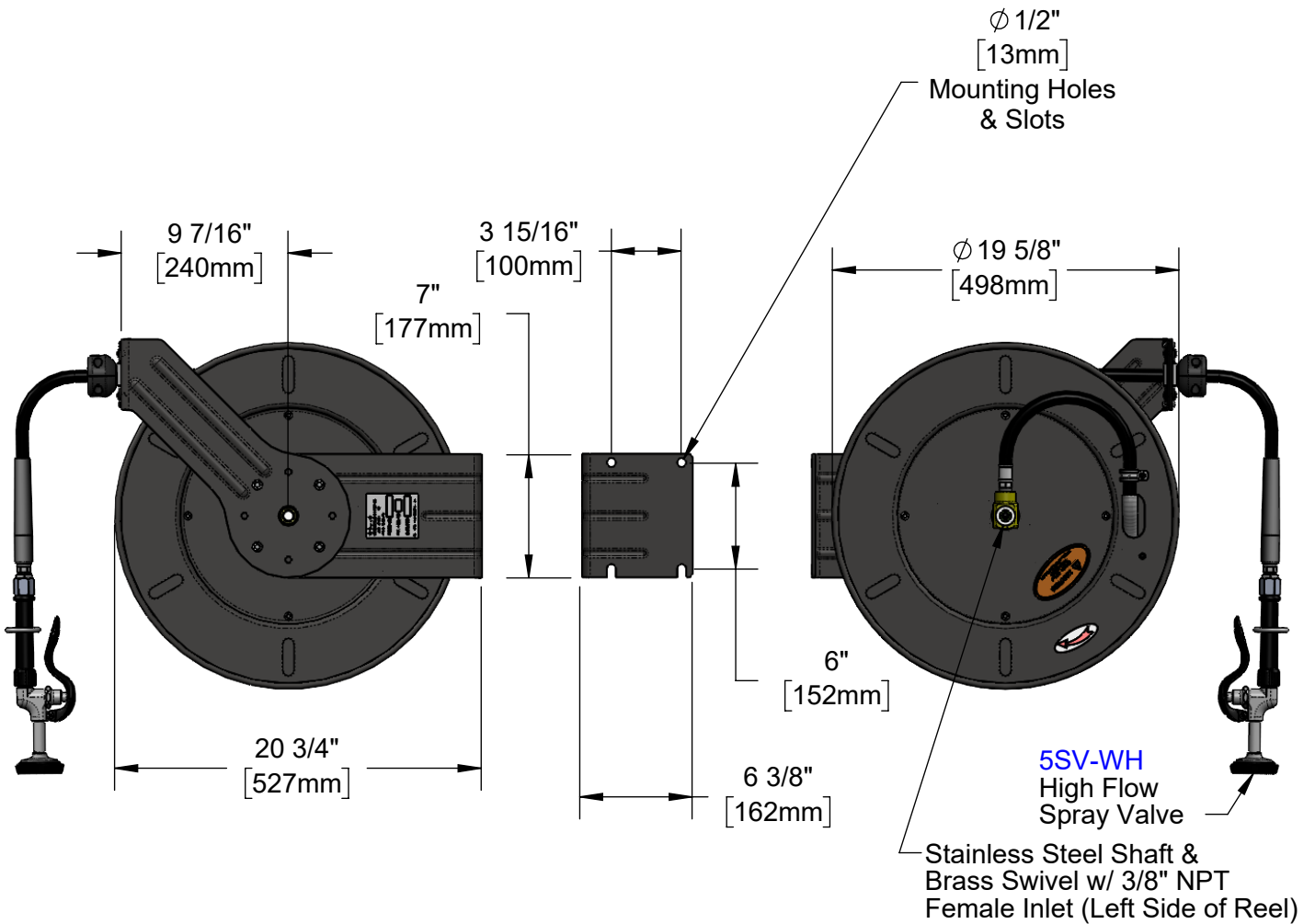
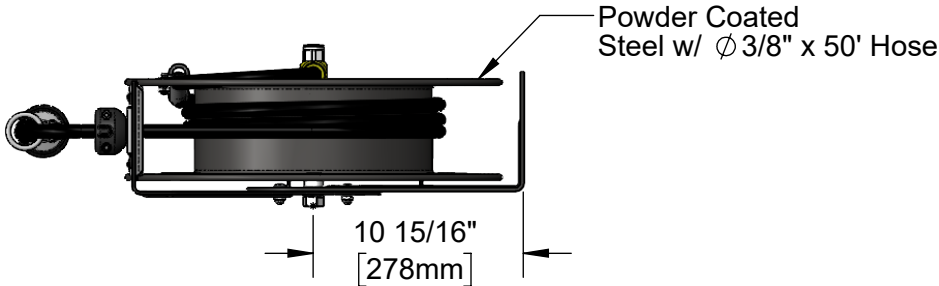


This Space for Architect/Engineer Approval

Job Name _____ Date _____
 Model Specified _____ Quantity _____
 Customer/Wholesaler _____
 Contractor _____
 Architect/Engineer _____



Model Number
5HR-242-01

Product Specifications:
**Powder Coated Steel, Open Hose Reel
 w/ Ø3/8" x 50' Hose & High Flow Spray Valve**

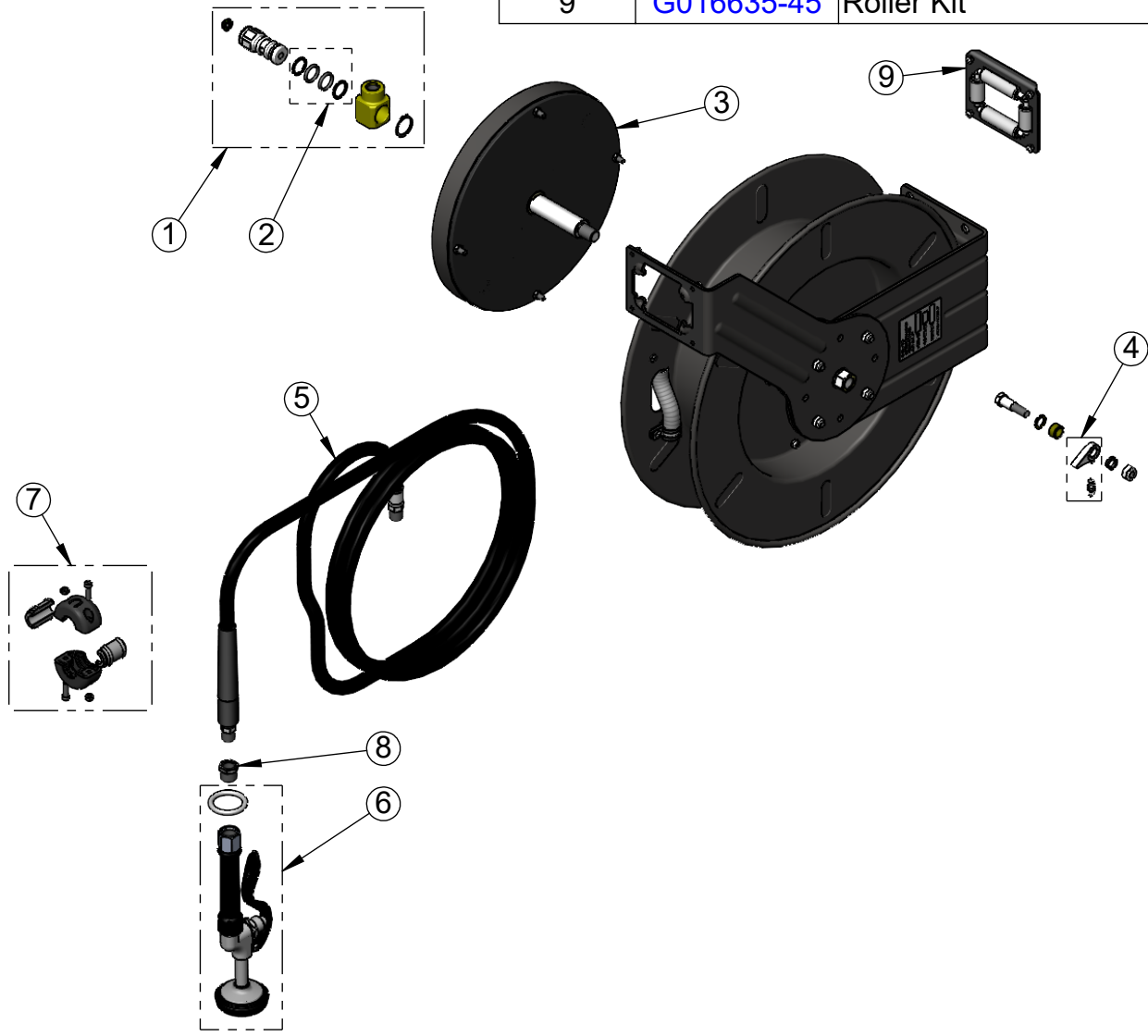
Product Compliance:
 2019 DOE PRSV Non-Compliant
 NSF 61 Exempt (Non-Potable)

equip
 Foodservice
 Accessories

by

2 Saddleback Cove, P.O. Box 1088
 Travelers Rest, South Carolina 29690
 Phone: 800.891.4808 Fax: 800.868.0084
 equip.tsbrass.com

| ITEM NO. | SALES NO. | DESCRIPTION |
|----------|-------------|--|
| 1 | 5HR-2SA | Complete 3/8" Swivel |
| 2 | 014948-45 | Seal Kit |
| 3 | G016684-45 | Spring |
| 4 | 014940-45 | Ratchet Repair Kit |
| 5 | 5HR-2HSE-50 | Ø 3/8" x 50' Hose |
| 6 | 5SV-WH | Hose Reel Spray Valve |
| 7 | 019246-45 | Hose Stop Repair Kit |
| 8 | 001359-40 | Adapter, 1/2" NPT Male x 3/8" NPT Female |
| 9 | G016635-45 | Roller Kit |



Model Number

5HR-242-01

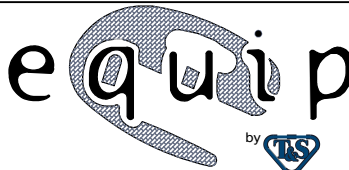
Product Specifications:

Powder Coated Steel, Open Hose Reel
w/ Ø3/8" x 50' Hose & High Flow Spray Valve

Product Compliance:

2019 DOE PRSV Non-Compliant
NSF 61 Exempt (Non-Potable)

equip
Foodservice
Accessories



2 Saddleback Cove, P.O. Box 1088
Travelers Rest, South Carolina 29690
Phone: 800.891.4808 Fax: 800.868.0084
equip.tsbrass.com