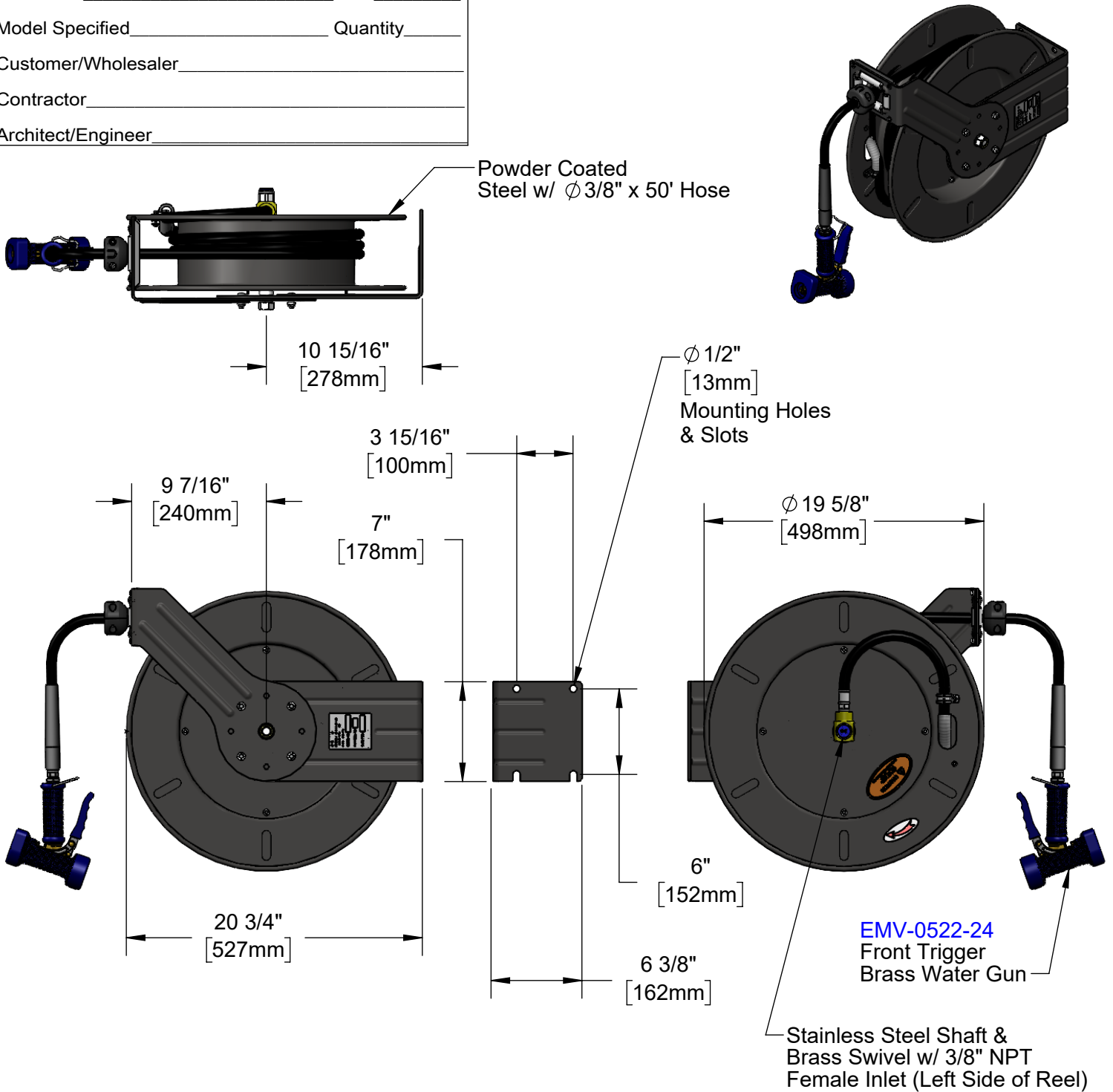


*This Space for Architect/Engineer Approval*

Job Name \_\_\_\_\_ Date \_\_\_\_\_  
 Model Specified \_\_\_\_\_ Quantity \_\_\_\_\_  
 Customer/Wholesaler \_\_\_\_\_  
 Contractor \_\_\_\_\_  
 Architect/Engineer \_\_\_\_\_

Powder Coated Steel w/  $\phi$  3/8" x 50' Hose



Model Number  
**5HR-242-12**

Product Specifications:  
 Powder Coated Steel, Open Hose Reel  
 w/ 3/8" x 50' Hose & Front Trigger Brass Water Gun

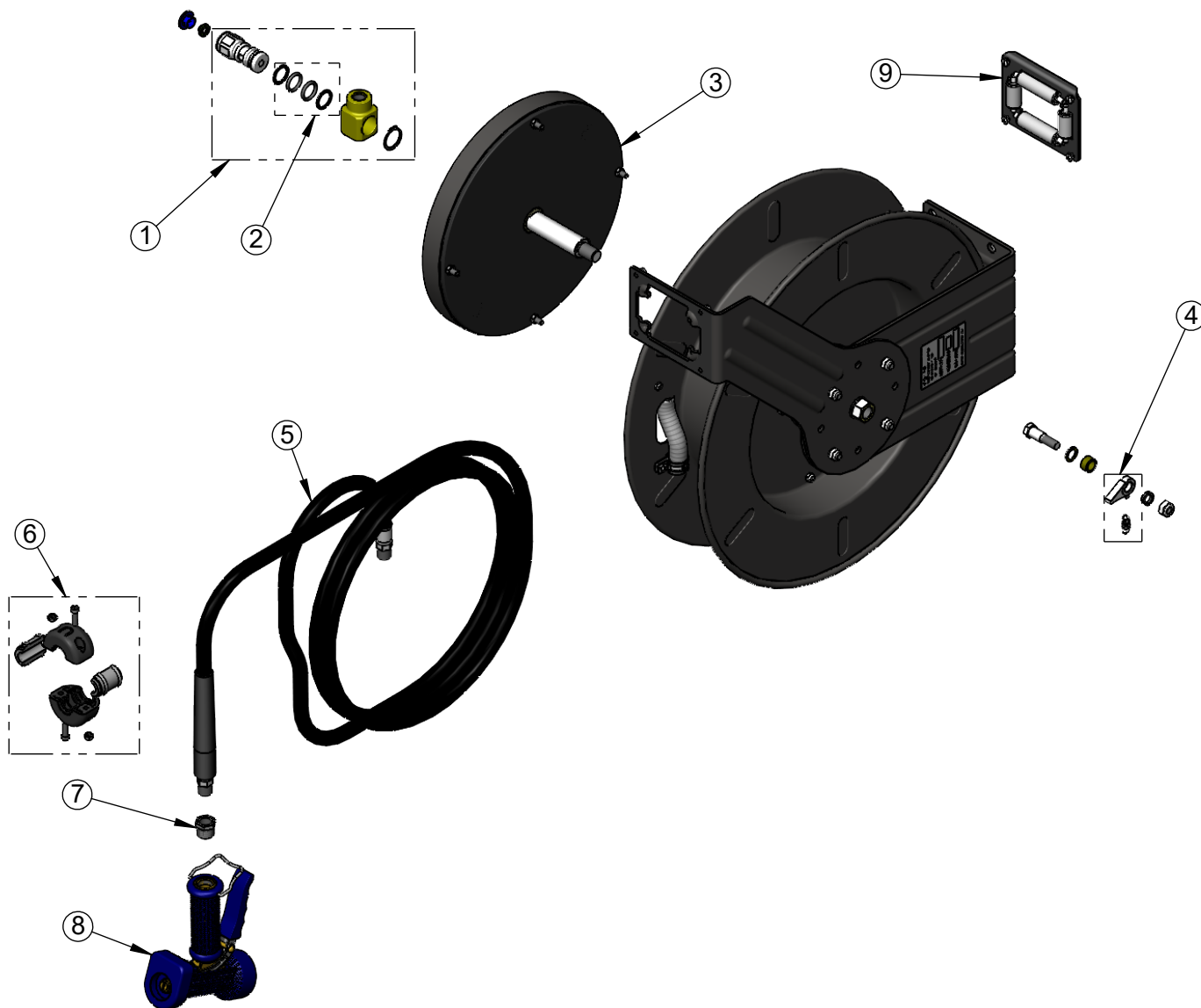
Product Compliance:  
 NSF 61 Exempt (Non-Potable)  
 2019 DOE Non-Compliant

equip Foodservice Accessories



2 Saddleback Cove, P.O. Box 1088  
 Travelers Rest, South Carolina 29690  
 Phone: 800.891.4808 Fax: 800.868.0084  
 equip.tsbrass.com

ITEM NO.	SALES NO.	DESCRIPTION
1	<a href="#">5HR-2SA</a>	Complete 3/8" Swivel Assembly
2	<a href="#">014948-45</a>	Seal Kit
3	<a href="#">G016684-45</a>	Spring Assembly
4	<a href="#">014940-45</a>	Ratchet Repair Kit
5	<a href="#">5HR-2HSE-50</a>	Ø 3/8" x 50' Hose
6	<a href="#">019246-45</a>	Hose Stop Repair Kit
7	<a href="#">001359-40</a>	Hex Bushing, 1/2" Male x 3/8" Female
8	<a href="#">EMV-0522-24</a>	Front Trigger Brass Water Gun
9	<a href="#">G016635-45</a>	Roller Kit



Model Number

**5HR-242-12**

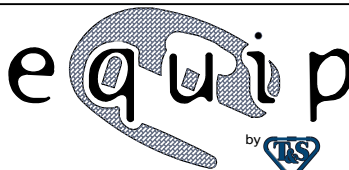
Product Specifications:

Powder Coated Steel, Open Hose Reel  
w/ 3/8" x 50' Hose & Front Trigger Brass Water Gun

Product Compliance:

NSF 61 Exempt (Non-Potable)  
2019 DOE Non-Compliant

equip  
Foodservice  
Accessories



2 Saddleback Cove, P.O. Box 1088  
Travelers Rest, South Carolina 29690  
Phone: 800.891.4808 Fax: 800.868.0084  
equip.tsbrass.com