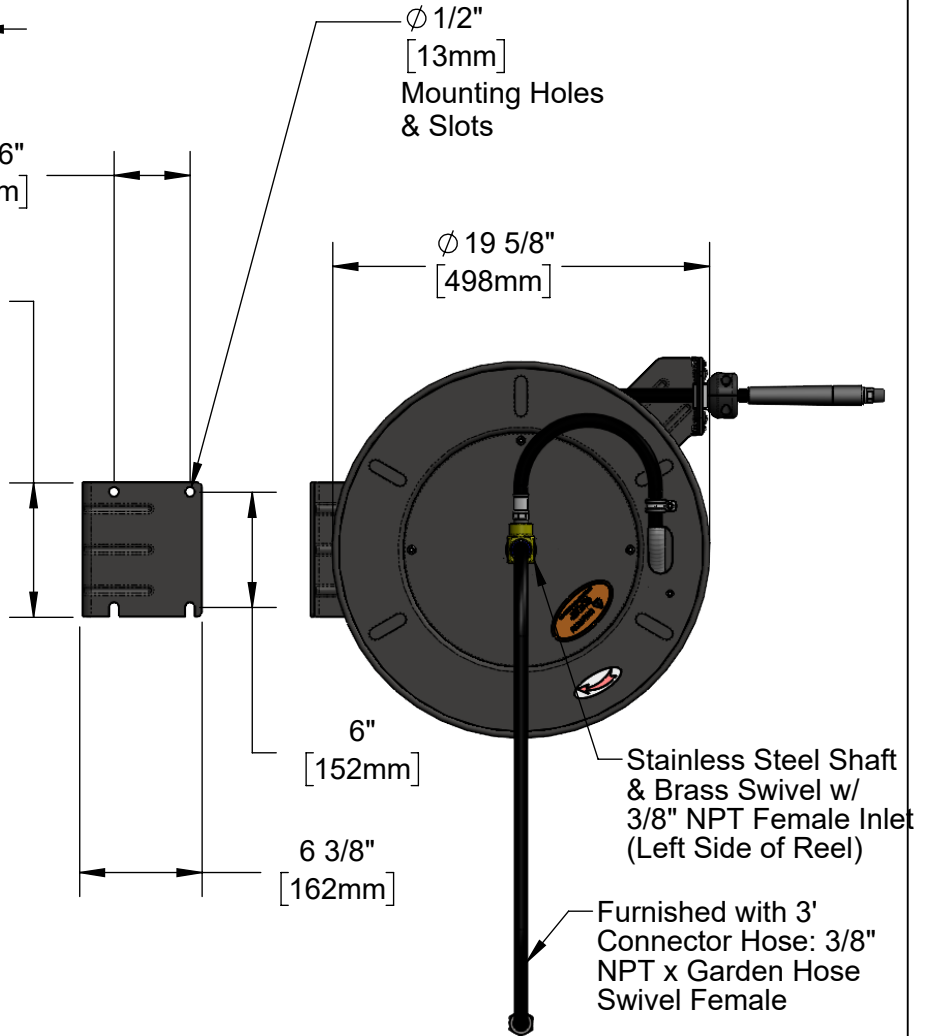
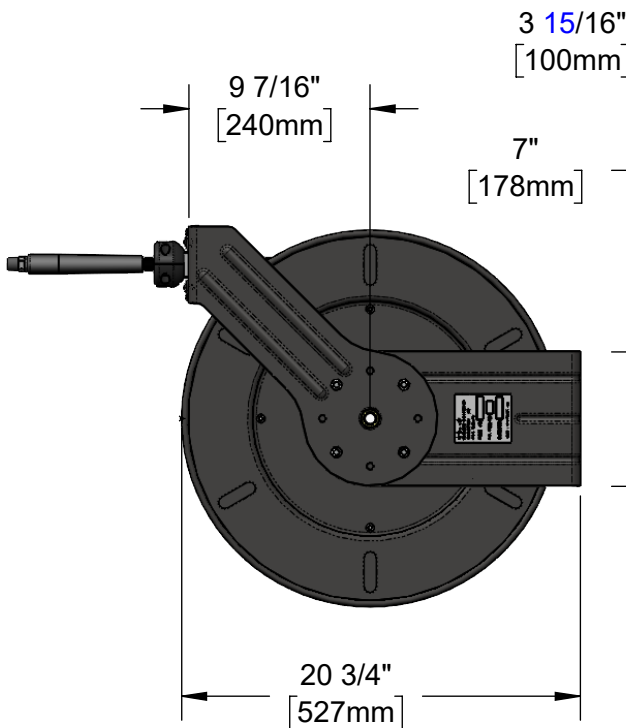
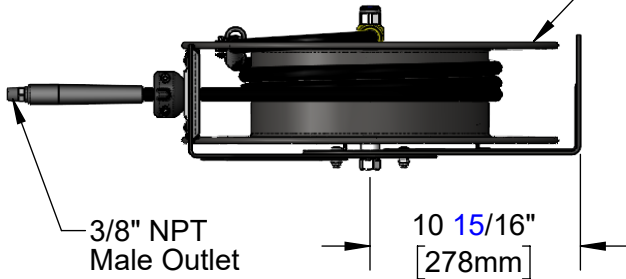


This Space for Architect/Engineer Approval

Job Name _____ Date _____
 Model Specified _____ Quantity _____
 Customer/Wholesaler _____
 Contractor _____
 Architect/Engineer _____



Epoxy Coated Steel w/ \varnothing 3/8" x 50' Hose



Model Number
5HR-242-GH

Product Compliance:
 NSF 61 Exempt (Non-Potable)

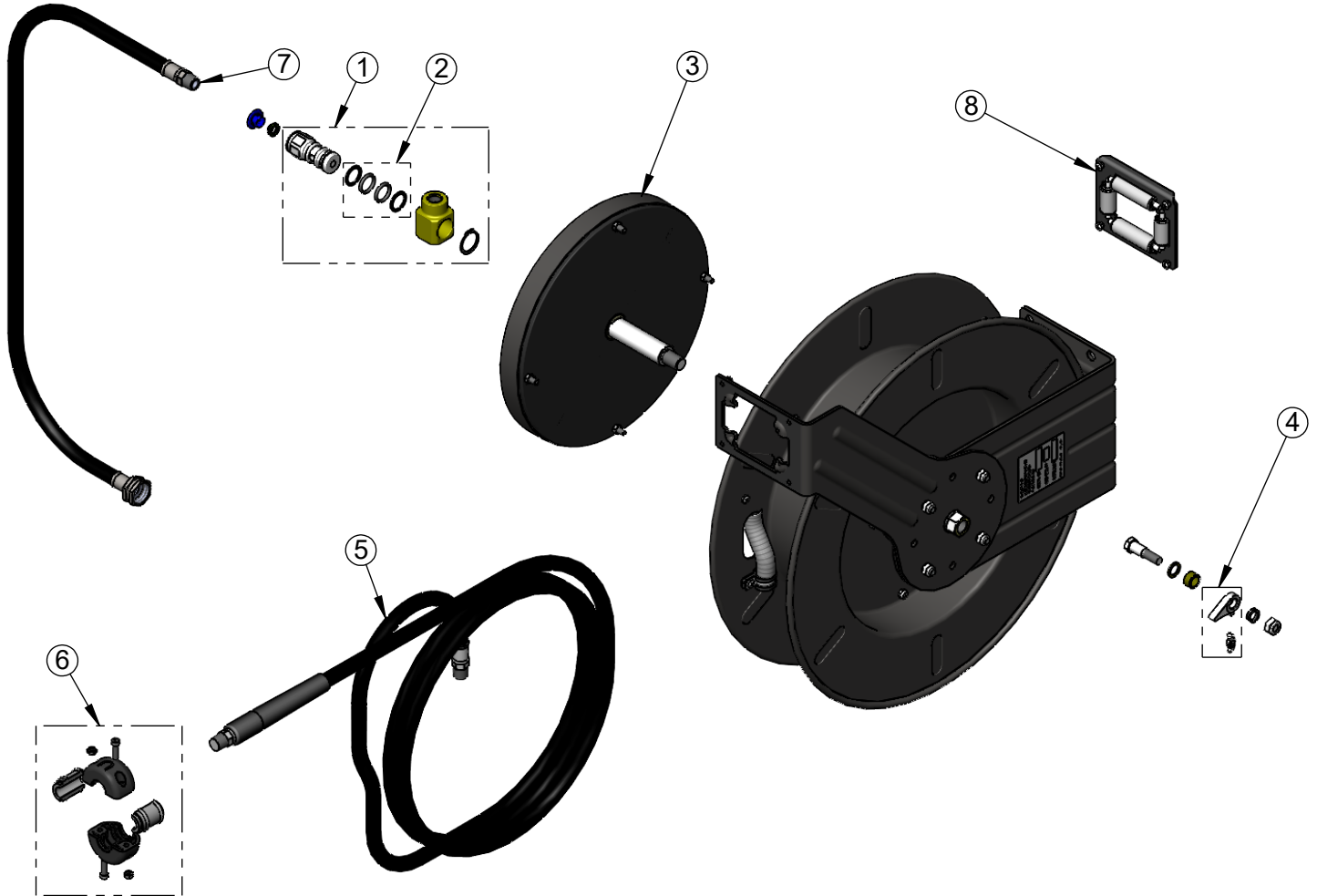
Product Specifications:
 Epoxy Coated Steel, Open Hose Reel
 w/ \varnothing 3/8" x 50' Hose & 3' Connector Hose,
 Less Spray Valve

equip Foodservice Accessories



2 Saddleback Cove, P.O. Box 1088
 Travelers Rest, South Carolina 29690
 Phone: 800.891.4808 Fax: 800.868.0084
 equip.tsbrass.com

ITEM NO.	SALES NO.	DESCRIPTION
1	5HR-2SA	Complete 3/8" Swivel Assembly
2	014948-45	Seal Kit
3	G016684-45	Spring Assembly
4	014940-45	Ratchet Repair Kit
5	5HR-2HSE-50	Ø 3/8" x 50' Hose
6	019246-45	Hose Stop Repair Kit
7	015586-45	3' Connector Hose: 3/8" NPT x Garden Hose Swivel Female
8	G016635-45	Roller Kit



Model Number

5HR-242-GH

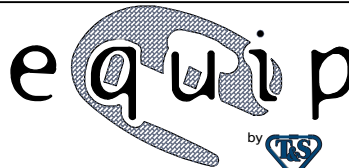
Product Specifications:

Epoxy Coated Steel, Open Hose Reel
w/ Ø3/8" x 50' Hose & 3' Connector Hose,
Less Spray Valve

Product Compliance:

NSF 61 Exempt (Non-Potable)

equip
Foodservice
Accessories



2 Saddleback Cove, P.O. Box 1088
Travelers Rest, South Carolina 29690
Phone: 800.891.4808 Fax: 800.868.0084
equip.tsbrass.com

Drawn: MDF

Checked: DMH

Approved: JHB

Date: 10/18/24

Scale: NTS

Sheet: 2 of 2