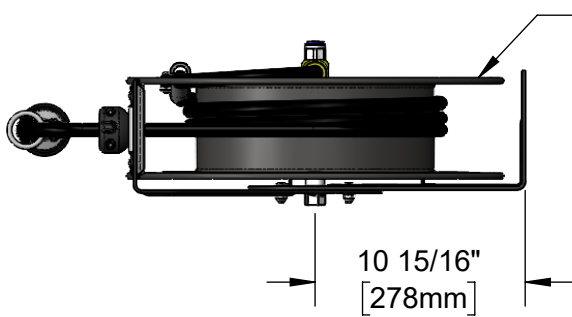


*This Space for Architect/Engineer Approval*

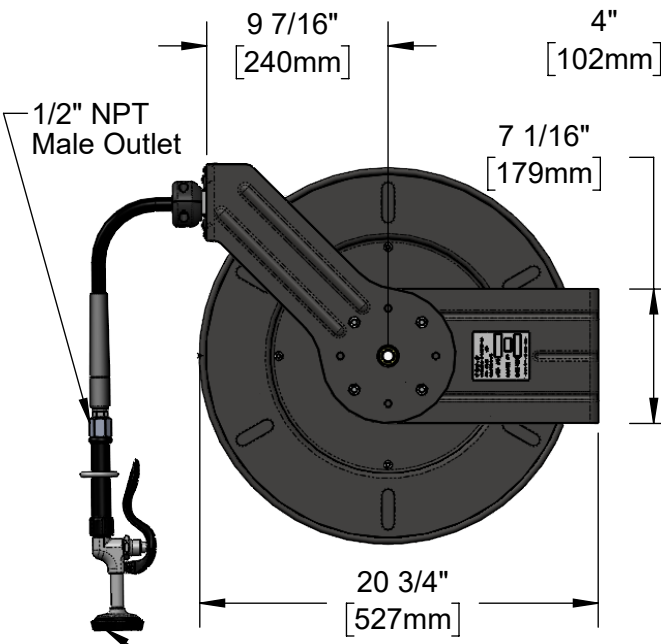
Job Name \_\_\_\_\_ Date \_\_\_\_\_  
 Model Specified \_\_\_\_\_ Quantity \_\_\_\_\_  
 Customer/Wholesaler \_\_\_\_\_  
 Contractor \_\_\_\_\_  
 Architect/Engineer \_\_\_\_\_



Powder Coated Steel w/  $\varnothing$  1/2" x 50' Hose

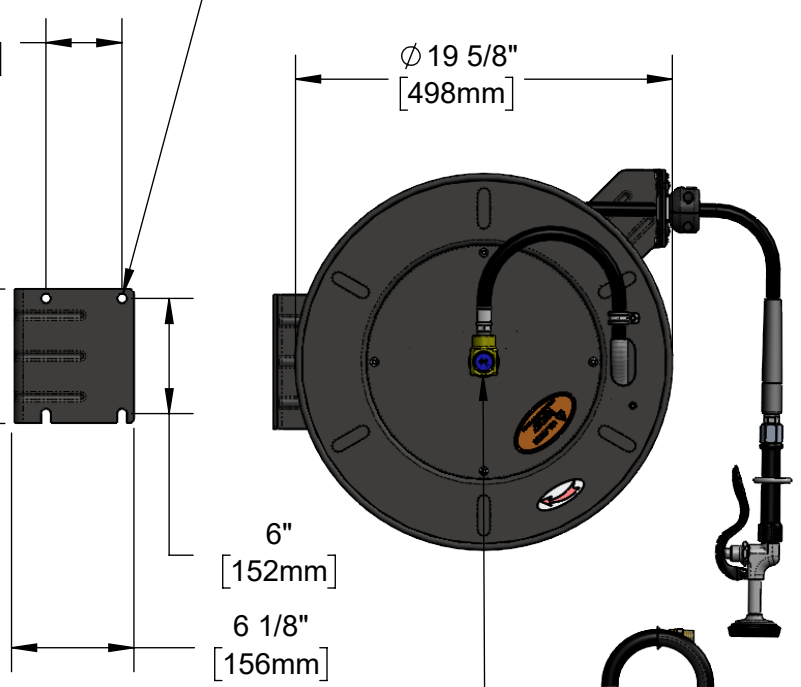


$\varnothing$  1/2" [13mm] Mounting Holes & Slots



1/2" NPT Male Outlet

5SV-WH High Flow Spray Valve



Stainless Steel Shaft & Brass Swivel w/ 1/2" NPT Female Inlet (Left Side of Reel)

1/2" x 3' Connector Hose  
 1/2" NPT Male x 3/4"-11.5NH Female

Model Number  
**5HR-342-01-GH**

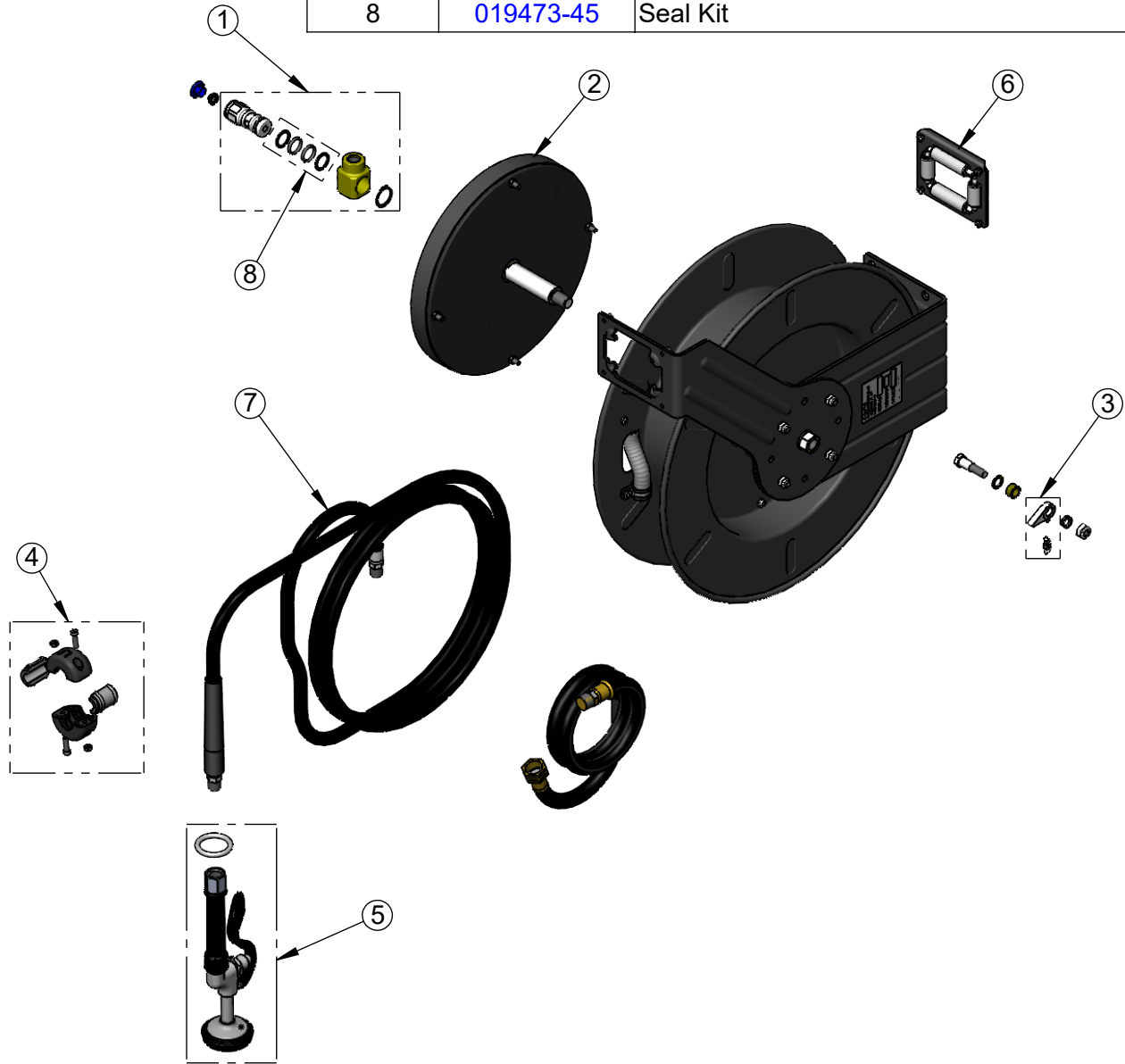
Product Compliance:  
 NSF 61 Exempt (Non-Potable)  
 EPAAct 2005 Non-Compliant (PRSV)

Product Specifications:  
 Powder Coated Steel, Open Hose Reel w/  $\varnothing$  1/2" x 50' Hose, 3' Black Connector Hose, Garden Hose Inlet & High Flow Spray Valve

equip Foodservice Accessories

2 Saddleback Cove, P.O. Box 1088  
 Travelers Rest, South Carolina 29690  
 Phone: 800.891.4808 Fax: 800.868.0084  
 equip.tsbrass.com

ITEM NO.	SALES NO.	DESCRIPTION
1	G016629-45	Complete 1/2" Swivel
2	G016684-45	Spring
3	014940-45	Ratchet Repair Kit
4	014950-45	1/2" Hose Stop Repair Kit
5	5SV-WH	Hose Reel Spray Valve
6	G016635-45	Roller Kit
7	5HR-3HSE-50	Ø 1/2" x 50' Hose
8	019473-45	Seal Kit



Model Number

**5HR-342-01-GH**

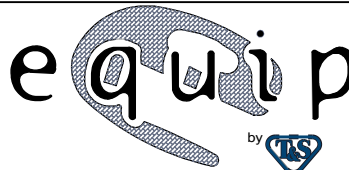
Product Specifications:

Powder Coated Steel, Open Hose Reel  
w/ Ø1/2" x 50' Hose, 3' Black Connector Hose,  
Garden Hose Inlet & High Flow Spray Valve

Product Compliance:

NSF 61 Exempt (Non-Potable)  
EPA Act 2005 Non-Compliant (PRSV)

equip  
Foodservice  
Accessories



2 Saddleback Cove, P.O. Box 1088  
Travelers Rest, South Carolina 29690  
Phone: 800.891.4808 Fax: 800.868.0084  
equip.tsbrass.com