

*This Space for Architect/Engineer Approval*

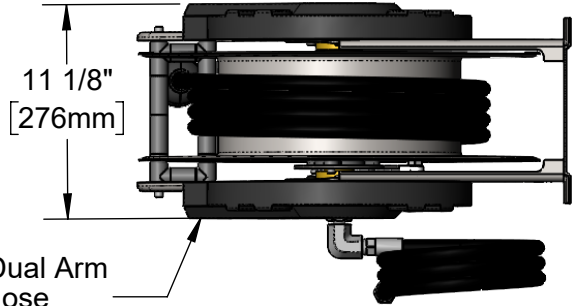
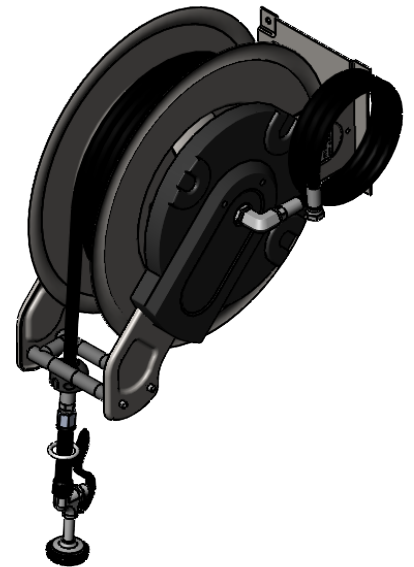
Job Name \_\_\_\_\_ Date \_\_\_\_\_

Model Specified \_\_\_\_\_ Quantity \_\_\_\_\_

Customer/Wholesaler \_\_\_\_\_

Contractor \_\_\_\_\_

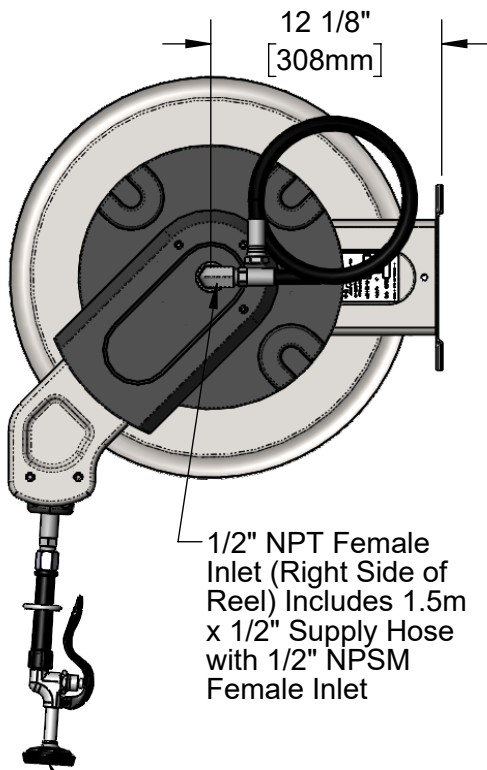
Architect/Engineer \_\_\_\_\_



11 1/8"  
[276mm]

Stainless Steel Dual Arm  
w/  $\phi$  1/2" x 65' Hose

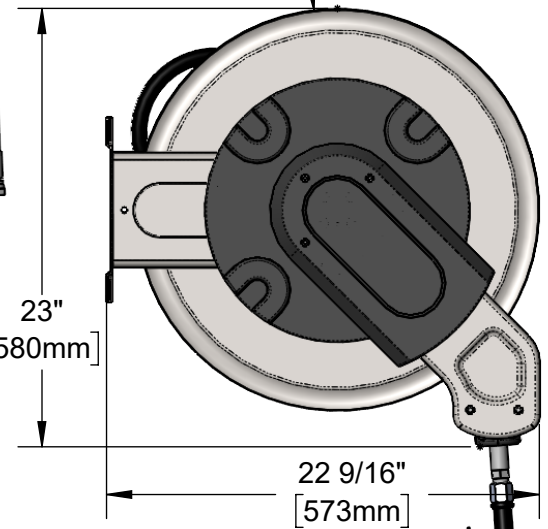
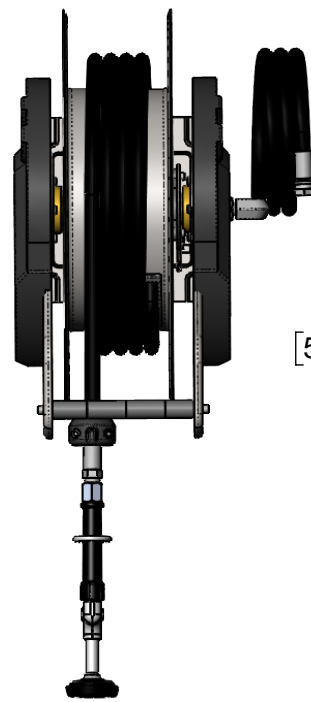
$\phi$  20 7/8"  
[530mm]



12 1/8"  
[308mm]

1/2" NPT Female  
Inlet (Right Side of  
Reel) Includes 1.5m  
x 1/2" Supply Hose  
with 1/2" NPSM  
Female Inlet

5SV-WH  
High Flow  
Spray Valve



23"  
[580mm]

22 9/16"  
[573mm]

8 1/4"  
[210mm]

8 1/4"  
[210mm]

$\phi$  7/16"  
[11mm]

Model Number

**5HR-351-01**

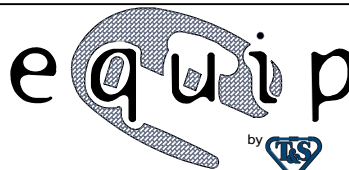
Product Specifications:

Stainless Steel, Open, Dual Arm Hose Reel  
w/  $\phi$  1/2" x 65' Hose & High Flow Spray Valve

Product Compliance:

2019 DOE PRSV Non-Compliant  
NSF 61 Exempt (Non-Potable)

equip  
Foodservice  
Accessories



2 Saddleback Cove, P.O. Box 1088  
Travelers Rest, South Carolina 29690  
Phone: 800.891.4808 Fax: 800.868.0084  
equip.tsbrass.com

Drawn: JRM

Checked: JMD

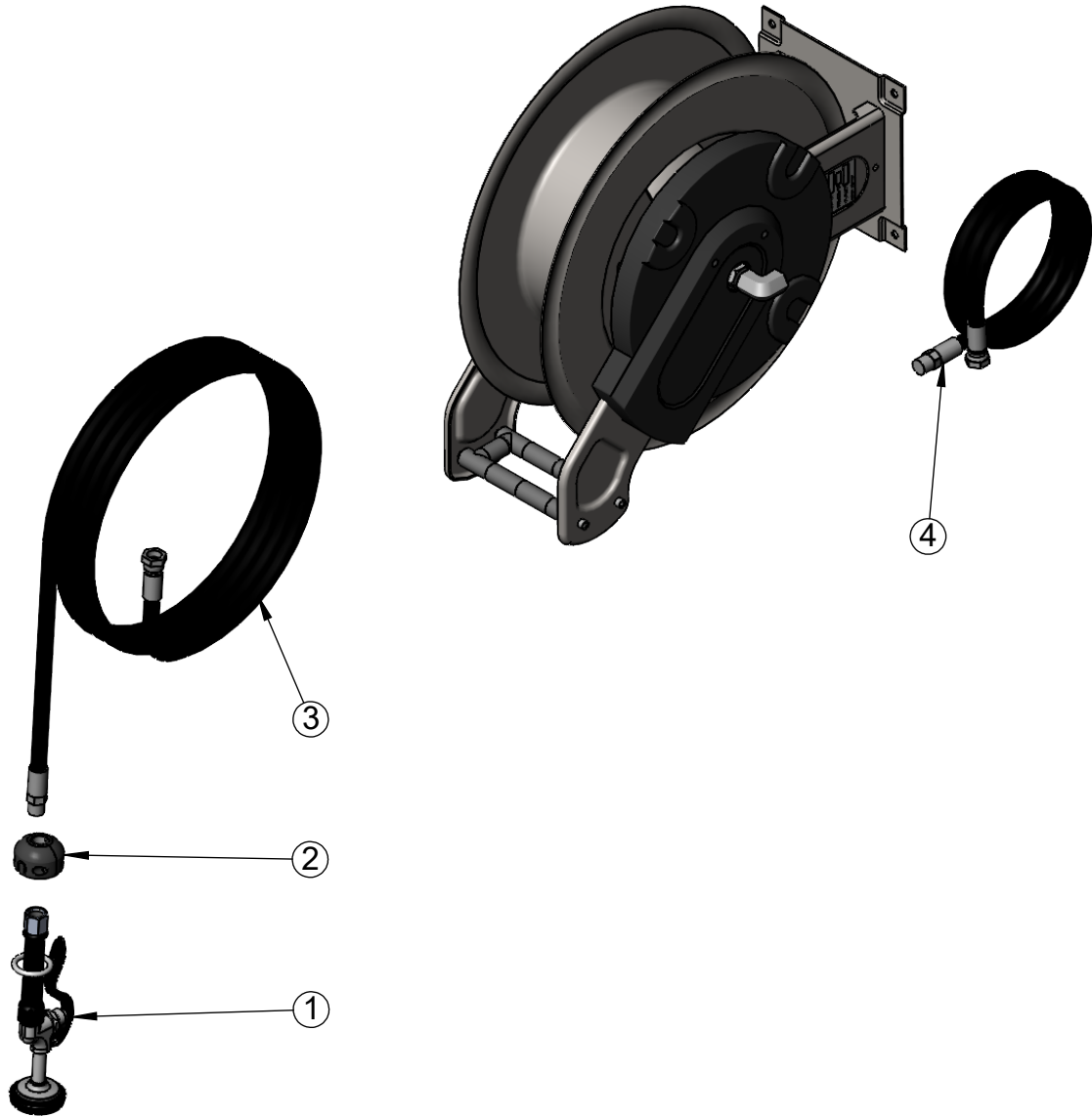
Approved: JHB

Date: 04/22/24

Scale: 1:12

Sheet: 2 of 2

ITEM NO.	SALES NO.	DESCRIPTION
1	5SV-WH	Hose Reel Spray Valve
2	014950-45	Hose Stop Repair Kit
3	5HR-3HSE-65	Ø 1/2" x 65' Hose
4	021133-45	1.5m x 1/2" Supply Hose



Model Number

**5HR-351-01**

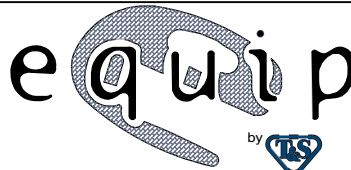
Product Specifications:

**Stainless Steel, Open, Dual Arm Hose Reel  
w/ Ø1/2" x 65' Hose & High Flow Spray Valve**

Product Compliance:

2019 DOE PRSV Non-Compliant  
NSF 61 Exempt (Non-Potable)

equip  
Foodservice  
Accessories



2 Saddleback Cove, P.O. Box 1088  
Travelers Rest, South Carolina 29690  
Phone: 800.891.4808 Fax: 800.868.0084  
equip.tsbrass.com