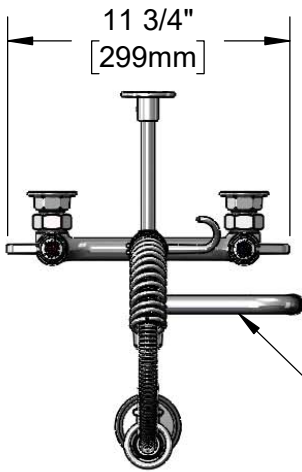


This Space for Architect/Engineer Approval

Job Name _____ Date _____
 Model Specified _____ Quantity _____
 Customer/Wholesaler _____
 Contractor _____
 Architect/Engineer _____



5SP-06
 6" Swing Nozzle
 w/ Laminar
 Flow Device



equip 24" Flexible
 Stainless Steel
 Hose w/ Spring
 & Spray Valve

Items Not Shown
 For Clarity

3/8" NPT x 8" Riser

Finger Hook

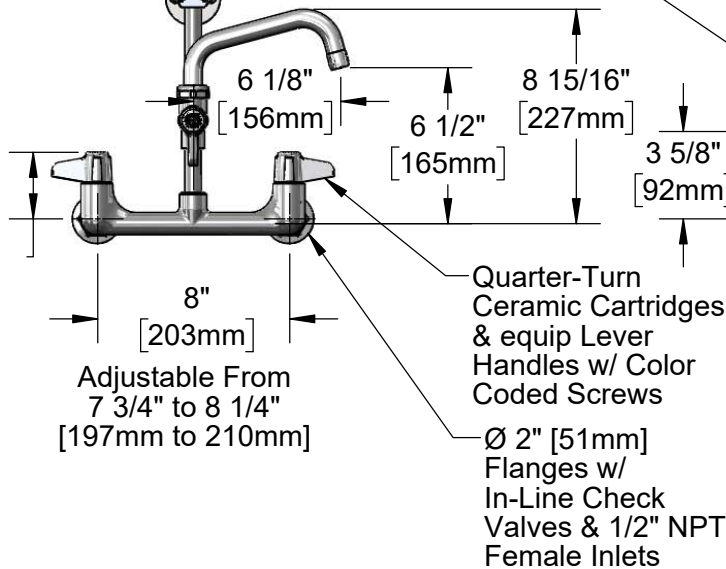
5SV
 1.15 GPM
 Spray Valve

2 5/16"
 [59mm]

21 3/4"
 [553mm]

013716-40
 6" Wall
 Bracket

5AFL06
 Add-On Faucet w/
 Quarter-Turn
 Ceramic Cartridge,
 Lever Handle &
 6" Swing Nozzle



Quarter-Turn
 Ceramic Cartridges
 & equip Lever
 Handles w/ Color
 Coded Screws

Ø 2" [51mm]
 Flanges w/
 In-Line Check
 Valves & 1/2" NPT
 Female Inlets

Mounting
 Surface



B-0230-K
 1/2" NPT
 Short EI Installation Kit
 (Sold Separately)

Model Number

5MPH-8WLN-06

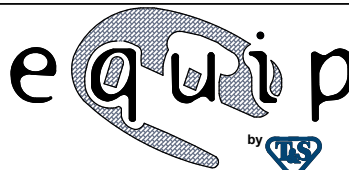
Product Specifications:

Pre-Rinse Unit: 8" Wall Mount Mixing Faucet w/ Quarter-Turn Ceramic Cartridges, Add-On Faucet w/ 6" Swing Nozzle, 1.15 GPM Spray Valve, 6" Wall Bracket, In-Line Check Valves & 1/2" NPT Female Inlets

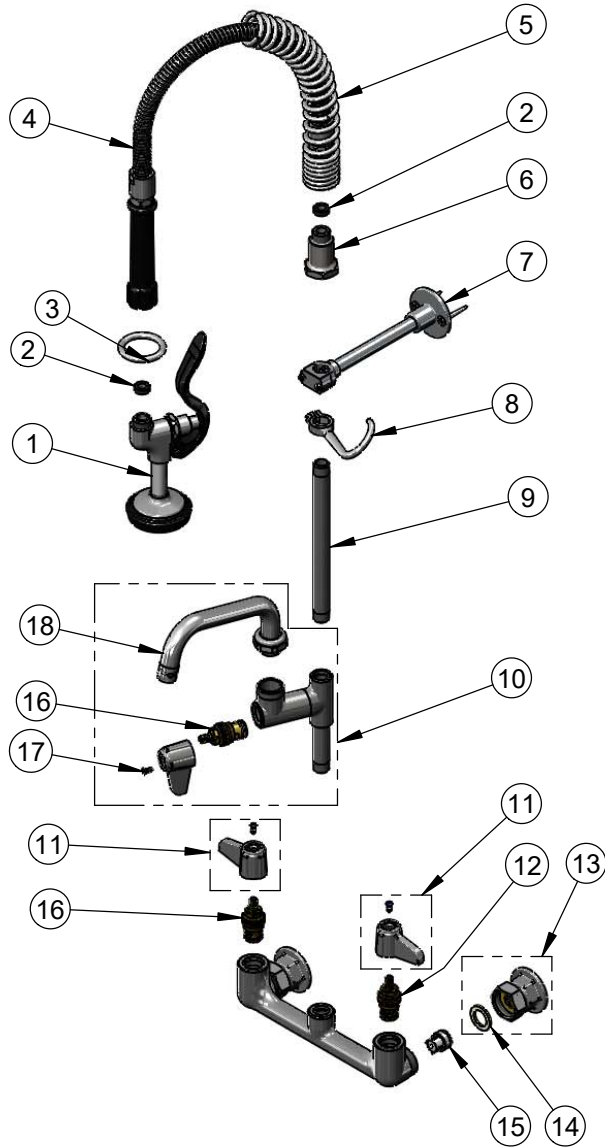
Product Compliance:

ASME A112.18.1 / CSA B125.1
 NSF 61 - Section 9
 NSF 372 (Low Lead Content)
 2019 DOE PRSV - Class II

equip
 Foodservice
 Accessories



2 Saddleback Cove, P.O. Box 1088
 Travelers Rest, South Carolina 29690
 Phone: 800.891.4808 Fax: 800.868.0084
 equip.tsbrass.com



ITEM NO.	SALES NO.	DESCRIPTION
1	5SV	equip 1.15 GPM Spray Valve
2	010476-45	#27 Washer
3	000907-45	Spray Valve Hold Down Ring
4	5HSE24	24" Flexible Stainless Steel Hose
5	016795-45	Compact Spring
6	000821-40	Spring Body
7	013716-40	6" Wall Bracket
8	004R	Finger Hook
9	078X	Nipple, 3/8" NPT x 8"
10	5AFL06	Add-On Faucet w/ 6" Swing Nozzle
11	5-HDL-L	equip Lever Handle w/ Color Coded Screws
12	013788-45	equip Quarter-Turn Ceramic Cartridge, LTC
13	00AA	1/2" NPT Female Eccentric Flange
14	001019-45	Coupling Nut Washer
15	013840-45	20mm Check Valve (2)
16	013787-45	equip Quarter-Turn Ceramic Cartridge, RTC
17	013849-45	Handle Screw (10)
18	5SP-06	equip 6" Swing Nozzle

Model Number
5MPH-8WLN-06

Product Compliance:
ASME A112.18.1 / CSA B125.1
NSF 61 - Section 9
NSF 372 (Low Lead Content)
2019 DOE PRSV - Class II

Product Specifications:
Pre-Rinse Unit: 8" Wall Mount Mixing Faucet w/ Quarter-Turn Ceramic Cartridges, Add-On Faucet w/ 6" Swing Nozzle, 1.15 GPM Spray Valve, 6" Wall Bracket, In-Line Check Valves & 1/2" NPT Female Inlets

equip Foodservice Accessories



2 Saddleback Cove, P.O. Box 1088
Travelers Rest, South Carolina 29690
Phone: 800.891.4808 Fax: 800.868.0084
equip.tsbrass.com