

*This Space for Architect/Engineer Approval*

Job Name \_\_\_\_\_ Date \_\_\_\_\_

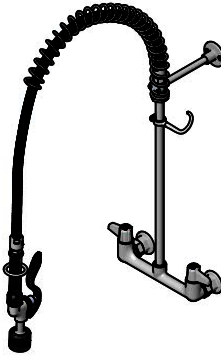
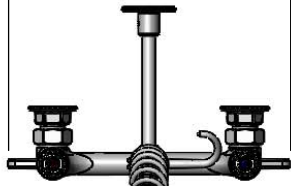
Model Specified \_\_\_\_\_ Quantity \_\_\_\_\_

Customer/Wholesaler \_\_\_\_\_

Contractor \_\_\_\_\_

Architect/Engineer \_\_\_\_\_

11 3/4"  
[299mm]



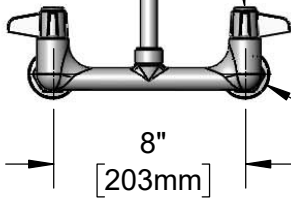
44" Flexible  
Stainless Steel  
Hose w/ Spring  
& Spray Valve

Items not Shown  
for Clarity

Finger Hook

3/8" NPT x 18" Riser

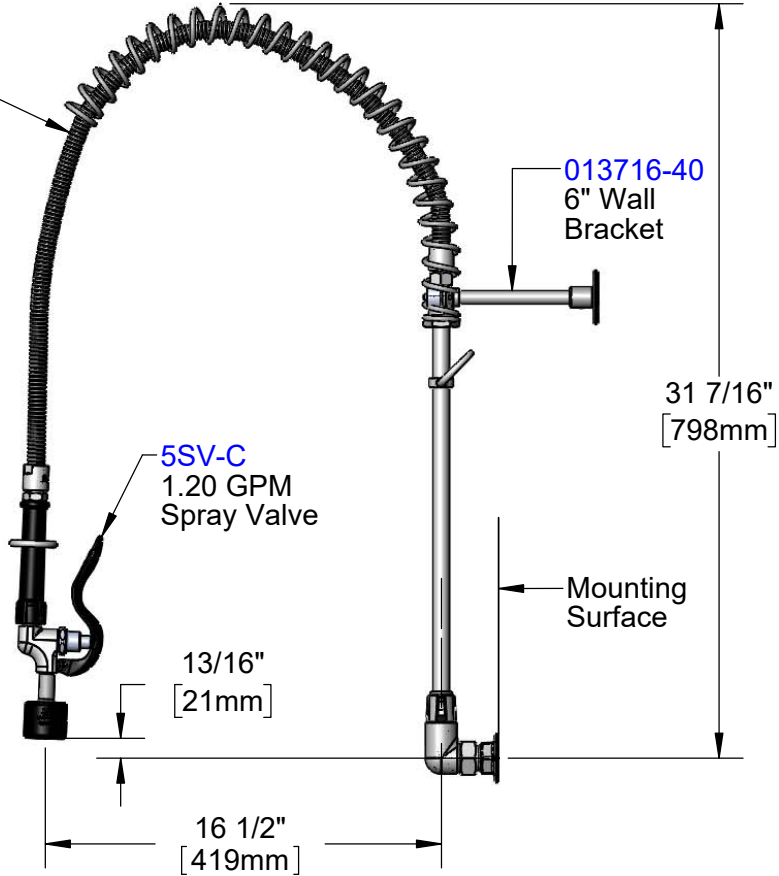
Ceramic Cartridges  
& equip Lever Handles  
w/ Color Coded Screws



8"  
[203mm]

Adjustable From  
7 3/4" to 8 1/4"  
[197mm to 210mm]

Ø 2" [51mm]  
Flanges w/  
Inline Check  
Valves & 1/2" NPT  
Female Inlets



013716-40  
6" Wall  
Bracket

31 7/16"  
[798mm]

Mounting  
Surface

5SV-C  
1.20 GPM  
Spray Valve

13/16"  
[21mm]

16 1/2"  
[419mm]



B-0230-K  
1/2" NPT

Short EI Installation Kit  
(Sold Separately)

Model Number

**5PR-8W00-C**

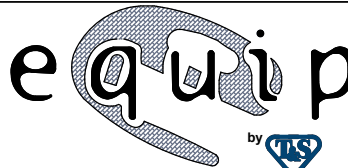
Product Specifications:

Pre-Rinse Unit: 8" Wall Mount Mixing Faucet, Quarter-Turn Ceramic Cartridges, 6" Wall Bracket, 1.20 GPM Spray Valve, In-Line Check Valves, 44" Flex Hose & 1/2" NPT Female Inlets

Product Compliance:

ASME A112.18.1 / CSA B125.1  
NSF 61 - Section 9  
NSF 372 (Low Lead Content)  
2019 DOE PRSV - Class II

equip  
Foodservice  
Accessories



2 Saddleback Cove, P.O. Box 1088  
Travelers Rest, South Carolina 29690  
Phone: 800.891.4808 Fax: 800.868.0084  
equip.tsbrass.com

Drawn: CDS

Checked: JDM

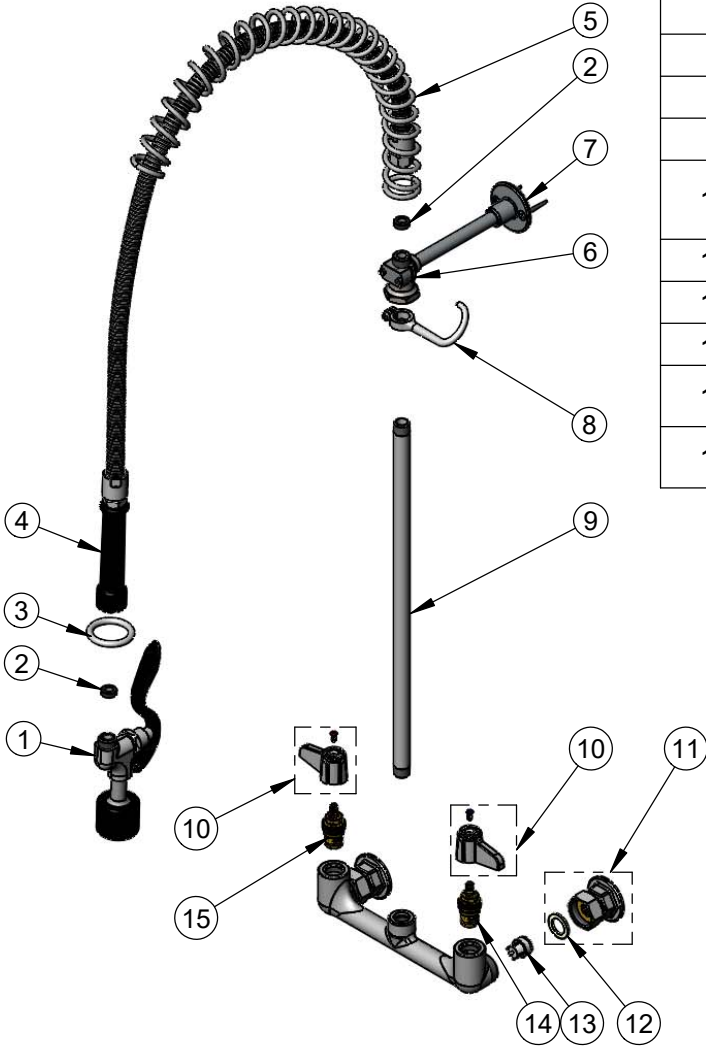
Approved: JHB

Date: 08/25/22

Scale: 1:8

Sheet: 1 of 2

ITEM NO.	SALES NO.	DESCRIPTION
1	5SV-C	equip 1.20 GPM Spray Valve
2	010476-45	#27 Washer
3	000907-45	Spray Valve Hold Down Ring
4	5HSE44	44" Flexible Stainless Steel Hose
5	014068-45	Overhead Spring
6	000821-40	Spring Body
7	013716-40	6" Wall Bracket
8	004R	Finger Hook
9	000369-40	3/8" NPT x 18" Riser
10	5-HDL-L	equip Lever Handle w/ Color Coded Screws
11	00AA	1/2" NPT Female Inlet Flange
12	001019-45	Coupling Nut Washer
13	013840-45	20mm Check Valve (2)
14	013788-45	equip Quarter-Turn Ceramic Cartridge, LTC
15	013787-45	equip Quarter-Turn Ceramic Cartridge, RTC



Model Number

**5PR-8W00-C**

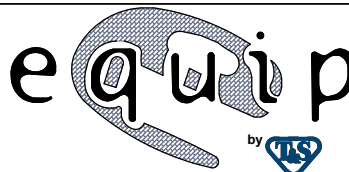
Product Specifications:

Pre-Rinse Unit: 8" Wall Mount Mixing Faucet, Quarter-Turn Ceramic Cartridges, 6" Wall Bracket, 1.20 GPM Spray Valve, In-Line Check Valves, 44" Flex Hose & 1/2" NPT Female Inlets

Product Compliance:

ASME A112.18.1 / CSA B125.1  
NSF 61 - Section 9  
NSF 372 (Low Lead Content)  
2019 DOE PRSV - Class II

equip  
Foodservice  
Accessories



2 Saddleback Cove, P.O. Box 1088  
Travelers Rest, South Carolina 29690  
Phone: 800.891.4808 Fax: 800.868.0084  
equip.tsbrass.com