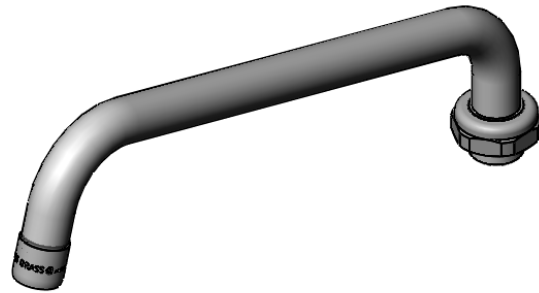
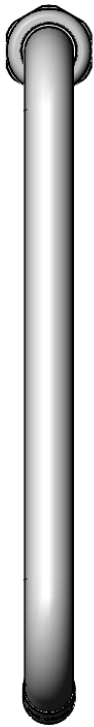
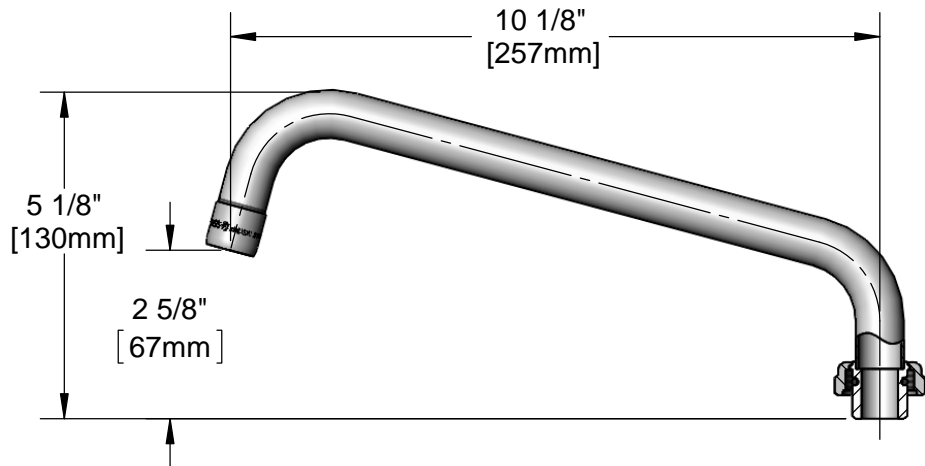


This Space for Architect/Engineer Approval

Job Name _____ Date _____
 Model Specified _____ Quantity _____
 Customer/Wholesaler _____
 Contractor _____
 Architect/Engineer _____



3/4-27 Aerator,
2.2 GPM



Note:
 Conversion to Rigid Requires 014200-45 Lock Washer
 (Available Separately)

Model Number <p style="text-align: center;">5SP-10A</p>	Product Specifications: <p style="text-align: center;">10" Swing Nozzle w/ 2.2 GPM Aerator</p>				
Product Compliance: ASME A112.18.1 / CSA B125.1 NSF 61 - Section 9 NSF 372 (Low Lead Content)	<div style="display: flex; justify-content: space-between; align-items: center;"> <div data-bbox="600 1906 738 1980"> <p>equip Foodservice Accessories</p> </div> <div data-bbox="747 1858 1096 2032"> </div> <div data-bbox="1104 1896 1550 1995"> <p>2 Saddleback Cove, P.O. Box 1088 Travelers Rest, South Carolina 29690 Phone: 800.891.4808 Fax: 800.868.0084 equip.tsbrass.com</p> </div> </div>				
Drawn: JBC	Checked: JRM	Approved: JHB	Date: 11/21/16	Scale: 1:3	Sheet: 1 of 1