



T&S BRASS AND BRONZE WORKS, INC.
 2 Saddleback Cove / P.O. Box 1088
 Travelers Rest, SC 29690

Model No.

B-0108-GH

Item No.

Travelers Rest, SC: 800-476-4103 • Simi Valley, CA: 800-423-0150 • Fax: 864-834-3518 • www.tsbrass.com

This Space for Architect/Engineer Approval

Job Name _____ Date _____

Model Specified _____ Quantity _____

Customer/Wholesaler _____

Contractor _____

Architect/Engineer _____

Washer For Hose Connection
(Included)

One-Handed Metal Trigger
Lock w/ Added Anti-
Rotational Feature

Surgical-Grade Polished
Stainless Steel

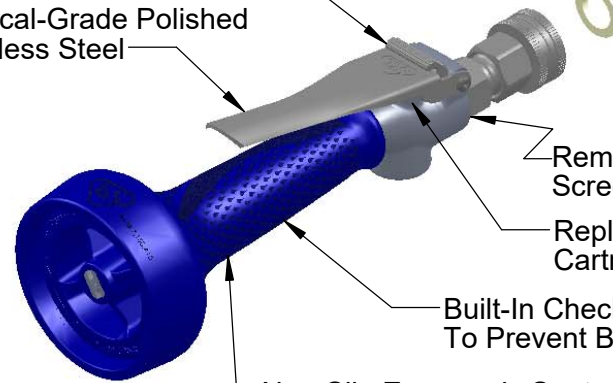
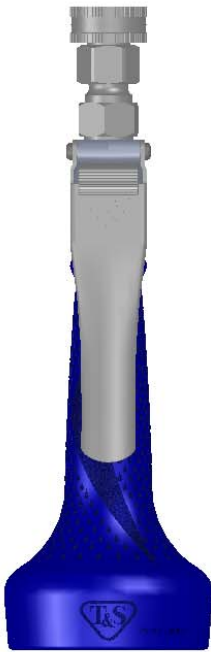
Removeable
Screen Filter

Replaceable
Cartridges

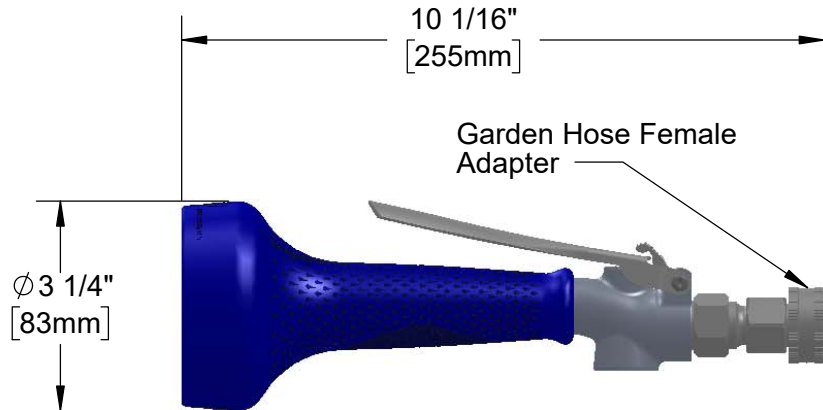
Built-In Check Valve
To Prevent Backflow

Non-Slip Ergonomic Santoprene
Grip w/ Built-in Heat Dissipation
Channels

Crush-Resistant w/ Delrin Waterways



1.07 GPM @ 60 PSI



Product Specifications:

1.07 GPM Spray Valve w/ Ergo-Grip, Replaceable Spray Face, Integrated One-Handed Trigger Lock & Garden Hose Adapter

Product Compliance:

ASME A112.18.1 / CSA B125.1
 NSF 61 Exempt (Non-Potable)
 NSF 372 (Low Lead Content)
 2019 DOE PRSV - Class II



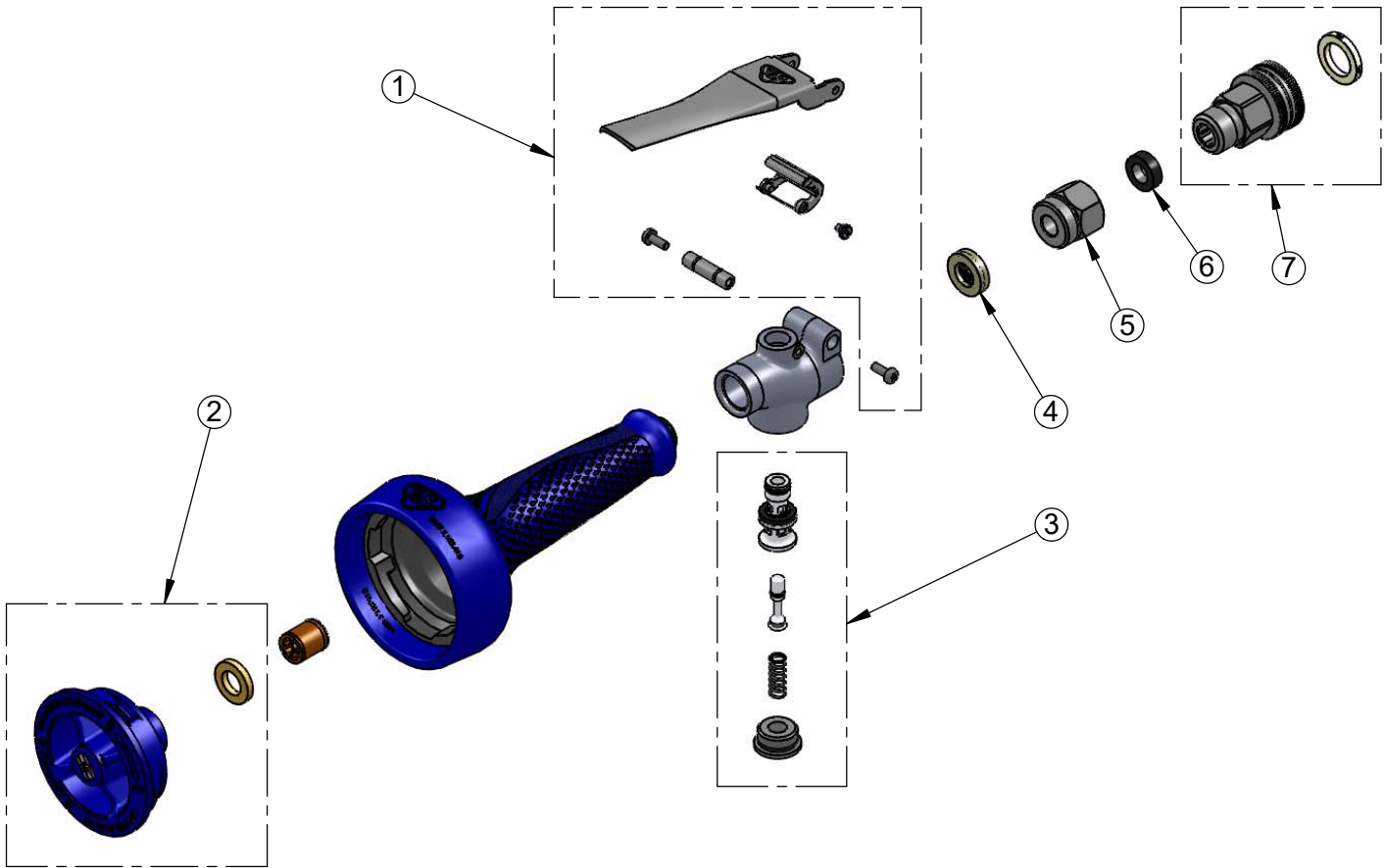
T&S BRASS AND BRONZE WORKS, INC.
 2 Saddleback Cove / P.O. Box 1088
 Travelers Rest, SC 29690

Model No.
B-0108-GH

Item No.

Travelers Rest, SC: 800-476-4103 • Simi Valley, CA: 800-423-0150 • Fax: 864-834-3518 • www.tsbrass.com

ITEM NO.	SALES NO.	DESCRIPTION
1	108T-RK	Trigger Repair Kit
2	108SF-RK	Spray Face Repair Kit
3	108V-RK	Valve Repair Kit
4	108S-RK	Inlet Screen/Washer Repair Kit
5	000729-40	Nut, 7/8-20 Male x 3/4-14 Female
6	010476-45	#27 Washer
7	059A	Adapter, Garden Hose



Product Specifications:
 1.07 GPM Spray Valve w/ Ergo-Grip, Replaceable Spray Face, Integrated One-Handed Trigger Lock & Garden Hose Adapter

Product Compliance:
 ASME A112.18.1 / CSA B125.1
 NSF 61 Exempt (Non-Potable)
 NSF 372 (Low Lead Content)
 2019 DOE PRSV - Class II