



T&S BRASS AND BRONZE WORKS, INC.
 2 Saddleback Cove / P.O. Box 1088
 Travelers Rest, SC 29690

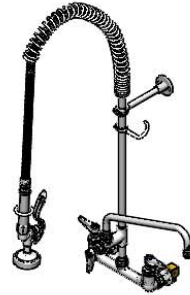
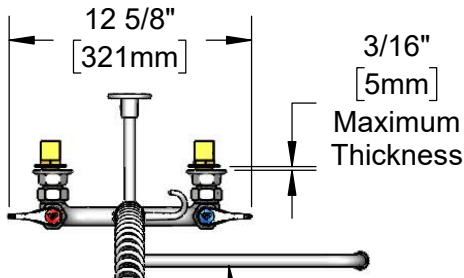
Model No.
B-0133-A12B-KIT

Item No.

Travelers Rest, SC: 800-476-4103 • Simi Valley, CA: 800-423-0150 • Fax: 864-834-3518 • www.tsbrass.com

This Space for Architect/Engineer Approval

Job Name _____ Date _____
 Model Specified _____ Quantity _____
 Customer/Wholesaler _____
 Contractor _____
 Architect/Engineer _____



062X
 12" Swing Nozzle
 w/ Stream Regulator
 Outlet. Rigid Conversion
 Requires **014200-45** Lock
 Washer (Included)

44" Flexible Stainless
 Steel Hose w/ Spring
 & Spray Valve

Items Not Shown
 For Clarity

Finger Hook

3/8" NPT x 18" Riser

12"
 [305mm]

EasyInstall
 Lock Nut
 & Bushing

3 5/8"
 [93mm]

12 1/16"
 [306mm]

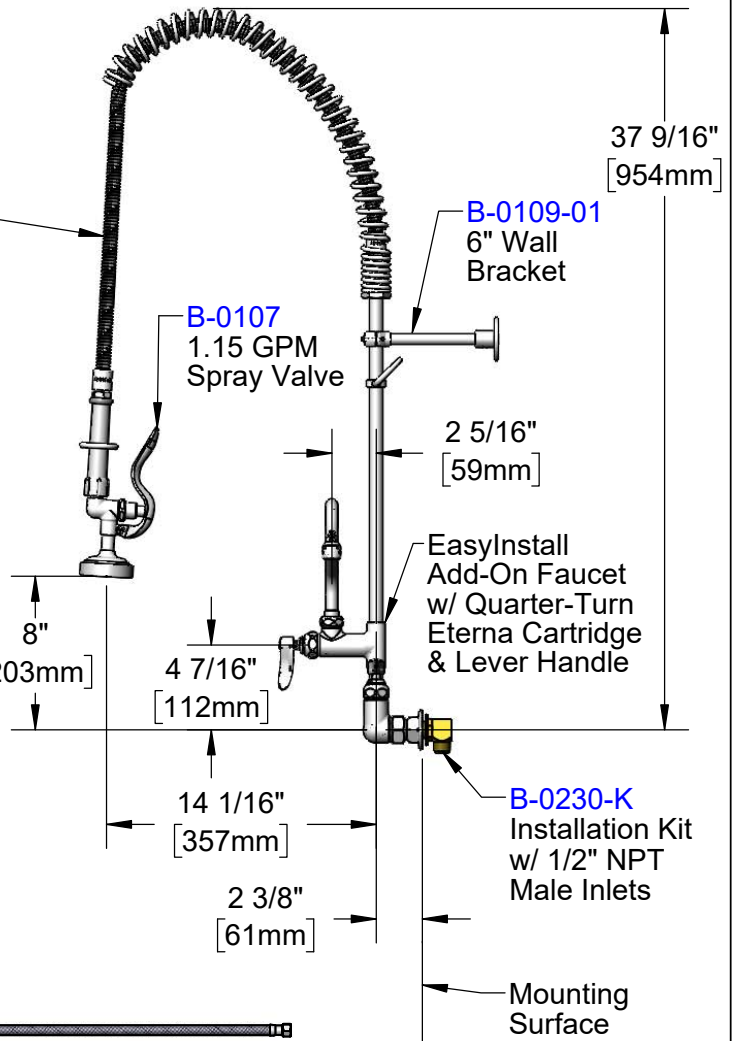
8 7/8"
 [226mm]

Quarter-Turn Eterna
 Cartridges w/ Spring
 Check & Lever Handles
 w/ Color Coded Indexes

8"
 [203mm]

Adjustable From
 7 3/4" to 8 1/4"
 [197mm to 210mm]

Ø 2" [51mm]
 Flanges



B-0109-01
 6" Wall
 Bracket

B-0107
 1.15 GPM
 Spray Valve

2 5/16"
 [59mm]

EasyInstall
 Add-On Faucet
 w/ Quarter-Turn
 Eterna Cartridge
 & Lever Handle

8"
 [203mm]

4 7/16"
 [112mm]

14 1/16"
 [357mm]

2 3/8"
 [61mm]

B-0230-K
 Installation Kit
 w/ 1/2" NPT
 Male Inlets

Mounting
 Surface



B-0230-KIT
 Short EL Installation Kit
 w/ (2) Stainless Steel Flexible Hoses

Product Specifications:

Pre-Rinse Unit: EasyInstall 8" Wall Mount Mixing Faucet, Quarter-Turn Eterna Cartridges w/ Spring Checks, Lever Handles, Add-On Faucet, 12" Swing Nozzle, 44" Flexible Stainless Steel Hose, 1.15 GPM Spray Valve, 6" Wall Bracket & 1/2" NPT Male Elbow Installation Kit w/ (2) 24" Stainless Steel Flexible Hoses

Product Compliance:

ASME A112.18.1 / CSA B125.1
 NSF 61 - Section 9
 NSF 372 (Low Lead Content)
 2019 DOE PRSV - Class II



T&S BRASS AND BRONZE WORKS, INC.

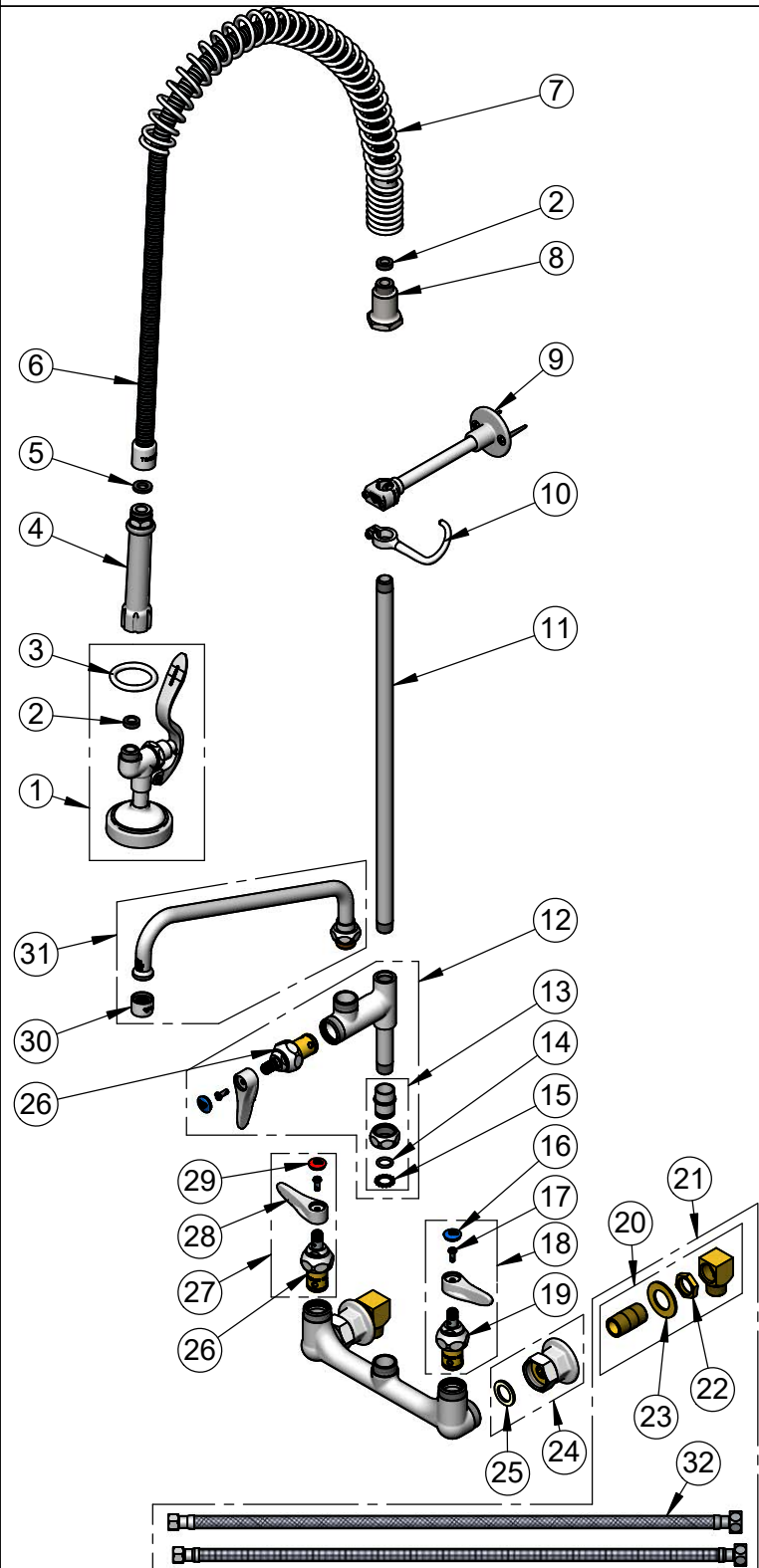
2 Saddleback Cove / P.O. Box 1088
Travelers Rest, SC 29690

Model No.

B-0133-A12B-KIT

Item No.

Travelers Rest, SC: 800-476-4103 • Simi Valley, CA: 800-423-0150 • Fax: 864-834-3518 • www.tsbrass.com



ITEM NO.	SALES NO.	DESCRIPTION
1	B-0107	1.15 GPM Gray Spray Valve
2	010476-45	#27 Washer
3	000907-45	Spray Valve Hold Down Ring
4	002987-40	Grip Handle
5	001014-45	Washer, B-0100 Hose Barrel
6	B-0044-H2A	44" Flexible Stainless Steel Hose, Less Handle
7	000888-45	EasyInstall Overhead Spring
8	000821-40	Spring Body
9	B-0109-01	6" Wall Bracket
10	004R	Finger Hook
11	000369-40	3/8" NPT x 18" Riser
12	B-0155-LNEZ	EasyInstall Add-On Faucet w/ Quarter-Turn Eterna Cartridge, RTC & Lever Handle, Less Nozzle
13	EZ-K	EasyInstall Kit: Nut, Bushing, O-Ring & Lock Washer
14	001065-45	O-Ring
15	014200-45	Star Washer, Anti-Rotation
16	018506-19NS	Blue Button Index, Press-in
17	000925-45	Lab Handle Screw
18	002711-40NS	Quarter-Turn Eterna Cartridge w/ Spring Check, Handle, Blue Index & Screw, LTC
19	012442-40NS	Quarter-Turn Eterna Cartridge w/ Spring Check, LTC
20	B-0230-K	Short Elbow Installation Kit
21	B-0230-KIT	Short Elbow Installation Kit w/ (2) Hoses
22	002954-45	Shank Lock Nut
23	000999-45	Brass Lock Washer
24	00AA	1/2" NPT Female Eccentric Flange
25	001019-45	Coupling Nut Washer
26	012443-40NS	Quarter-Turn Eterna Cartridge w/ Spring Check, RTC
27	002712-40NS	Quarter-Turn Eterna Cartridge w/ Spring Check, Handle, Red Index & Screw, RTC
28	001638-45NS	Lever Handle (New Style)
29	001193-19NS	Red Button Index, Press-in
30	B-PT	Full Flow Stream Regulator, 55/64-27
31	062X	12" Swing Nozzle
32	017420-45	24" Flexible Supply Hose

Product Specifications:
 Pre-Rinse Unit: EasyInstall 8" Wall Mount Mixing Faucet, Quarter-Turn Eterna Cartridges w/ Spring Checks, Lever Handles, Add-On Faucet, 12" Swing Nozzle, 44" Flexible Stainless Steel Hose, 1.15 GPM Spray Valve, 6" Wall Bracket & 1/2" NPT Male Elbow Installation Kit w/ (2) 24" Stainless Steel Flexible Hoses

Product Compliance:
 ASME A112.18.1 / CSA B125.1
 NSF 61 - Section 9
 NSF 372 (Low Lead Content)
 2019 DOE PRSV - Class II