



**T&S BRASS AND BRONZE WORKS, INC.**  
 2 Saddleback Cove / P.O. Box 1088  
 Travelers Rest, SC 29690

Model No.

**B-0133-B8P-LB**

Item No.

Travelers Rest, SC: 800-476-4103 • Simi Valley, CA: 800-423-0150 • Fax: 864-834-3518 • www.tsbrass.com

This Space for Architect/Engineer Approval

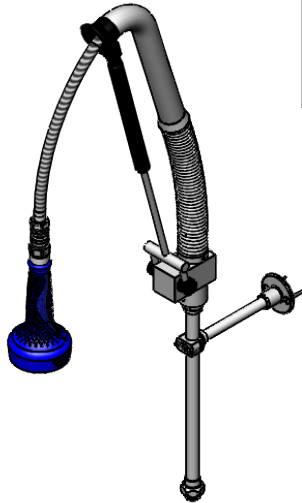
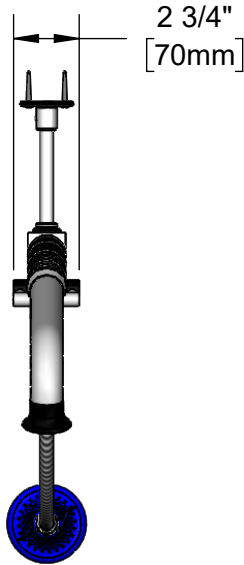
Job Name \_\_\_\_\_ Date \_\_\_\_\_

Model Specified \_\_\_\_\_ Quantity \_\_\_\_\_

Customer/Wholesaler \_\_\_\_\_

Contractor \_\_\_\_\_

Architect/Engineer \_\_\_\_\_



30" Flexible Stainless Steel  
 Hose w/ Spring, Air Cylinder,  
 Swivel & 1.07 GPM Sprayer

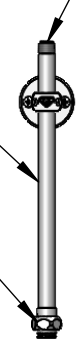
Pull Down  
 Activated Valve  
 w/ Auto Shut-Off  
 Upon Release

33 3/4"  
 [858mm]

Items Not Shown  
 for Clarity

3/8" NPT x  
 12" Riser

EasyInstall  
 Lock Nut  
 & Bushing



11 1/4"  
 [285mm]

14 3/4"  
 [374mm]

B-0109-01  
 6" Wall  
 Bracket

Product Specifications:

EasyInstall Pull-Down Pre-Rinse Unit Less Faucet Body: 12" Riser, 30" Flexible Stainless Steel Hose, 1.07 GPM Sprayer w/ Ball-Joint Swivel and 6" Wall Bracket

Product Compliance:

ASME A112.18.1 / CSA B125.1  
 NSF 61 - Section 9  
 NSF 372 (Low Lead Content)  
 2019 DOE PRSV - Class II

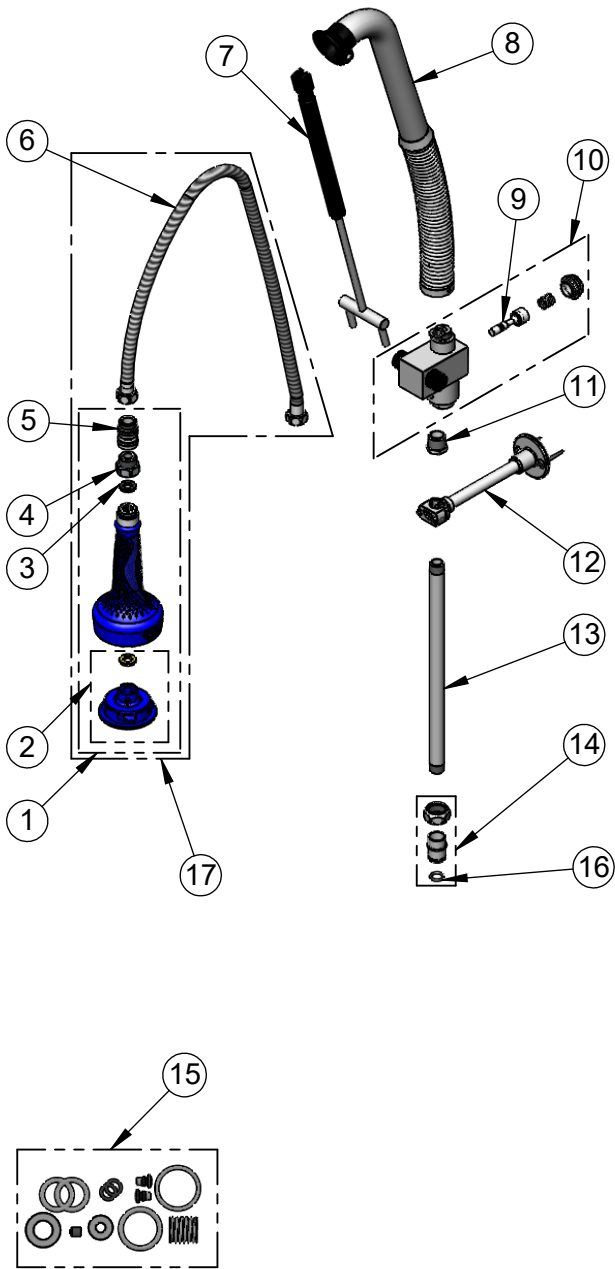


**T&S BRASS AND BRONZE WORKS, INC.**  
 2 Saddleback Cove / P.O. Box 1088  
 Travelers Rest, SC 29690

Model No.  
**B-0133-B8P-LB**

Item No.

Travelers Rest, SC: 800-476-4103 • Simi Valley, CA: 800-423-0150 • Fax: 864-834-3518 • www.tsbrass.com



ITEM NO.	SALES NO.	DESCRIPTION
1	019898-40	1.07 GPM Sprayer w/ Swivel
2	108SF-RK	Spray Face Repair Kit
3	001014-45	Washer, Hose Barrel
4	005221-25	7/8-20 UN x 1/2" BSPP Adapter
5	021046-45	Stainless Steel Ball-Joint Swivel
6	019901-45	30" Stainless Steel Braided Hose w/ 1/2" NPSM Threads
7	020062-45	Air Cylinder Repair Kit
8	020060-45	Spring & Tube Repair Kit
9	020061-45	Valve Stem Repair Kit
10	020063-45	Valve Body Repair Kit
11	001359-40	Hex Bushing, 1/2" NPT Male x 3/8" NPT Female
12	B-0109-01	6" Wall Bracket
13	145X	Nipple, 3/8" NPT x 12"
14	EZ-K	EasyInstall Kit: Nut, Bushing, O-Ring & Lock Washer
15	020064-45	PRU Control Valve Seal Repair Kit
16	001065-45	O-Ring
17	021047-40	Hose, Sprayer & Swivel

**Product Specifications:**

EasyInstall Pull-Down Pre-Rinse Unit Less Faucet Body: 12" Riser, 30" Flexible Stainless Steel Hose, 1.07 GPM Sprayer w/ Ball-Joint Swivel and 6" Wall Bracket

**Product Compliance:**

ASME A112.18.1 / CSA B125.1  
 NSF 61 - Section 9  
 NSF 372 (Low Lead Content)  
 2019 DOE PRSV - Class II