



# T&S BRASS AND BRONZE WORKS, INC.

2 Saddleback Cove / P.O. Box 1088  
Travelers Rest, SC 29690

Model No.

**B-0133-CR-B-KIT**

Item No.

Travelers Rest, SC: 800-476-4103 • Simi Valley, CA: 800-423-0150 • Fax: 864-834-3518 • www.tsbrass.com

This Space for Architect/Engineer Approval

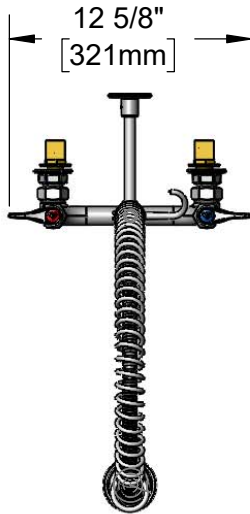
Job Name \_\_\_\_\_ Date \_\_\_\_\_

Model Specified \_\_\_\_\_ Quantity \_\_\_\_\_

Customer/Wholesaler \_\_\_\_\_

Contractor \_\_\_\_\_

Architect/Engineer \_\_\_\_\_



44" Flexible Stainless Steel Hose w/ Spring & Spray Valve

Items Not Shown for Clarity

Finger Hook

3/8" NPT x 18" Riser

Quarter-Turn Cerama Cartridges w/ Check Valves & Lever Handles w/ Color Coded Indexes

EasyInstall Lock Nut & Bushing

3 11/16" [93mm]

8" [203mm]  
Adjustable From 7 3/4" to 8 1/4" [197mm to 210mm]

Ø 2" [51mm] Flanges w/ 1/2" NPT Female Inlets

3 3/4" [95mm]

B-0109-01 6" Wall Bracket

B-0107 1.15 GPM Spray Valve

33 5/16" [846mm]

3/16" [5mm] Maximum Thickness

14 1/16" [357mm]

2 3/8" [61mm]

B-0230-K Installation Kit w/ 1/2" NPT Male Inlets

Mounting Surface



**B-0230-KIT**

Short EL Installation Kit w/ (2) Flexible Stainless Steel Hoses

### Product Specifications:

Pre-Rinse Unit: EasyInstall 8" Wall Mount Mixing Faucet, Quarter-Turn Cerama Cartridges w/ Check Valves, Lever Handles, 44" Flexible Stainless Steel Hose, 1.15 GPM Spray Valve, 6" Wall Bracket & 1/2" NPT Male Elbow Installation Kit w/ (2) 24" Flexible Stainless Steel Hoses

### Product Compliance:

ASME A112.18.1 / CSA B125.1  
NSF 61 - Section 9  
NSF 372 (Low Lead Content)  
2019 DOE PRSV - Class II



# T&S BRASS AND BRONZE WORKS, INC.

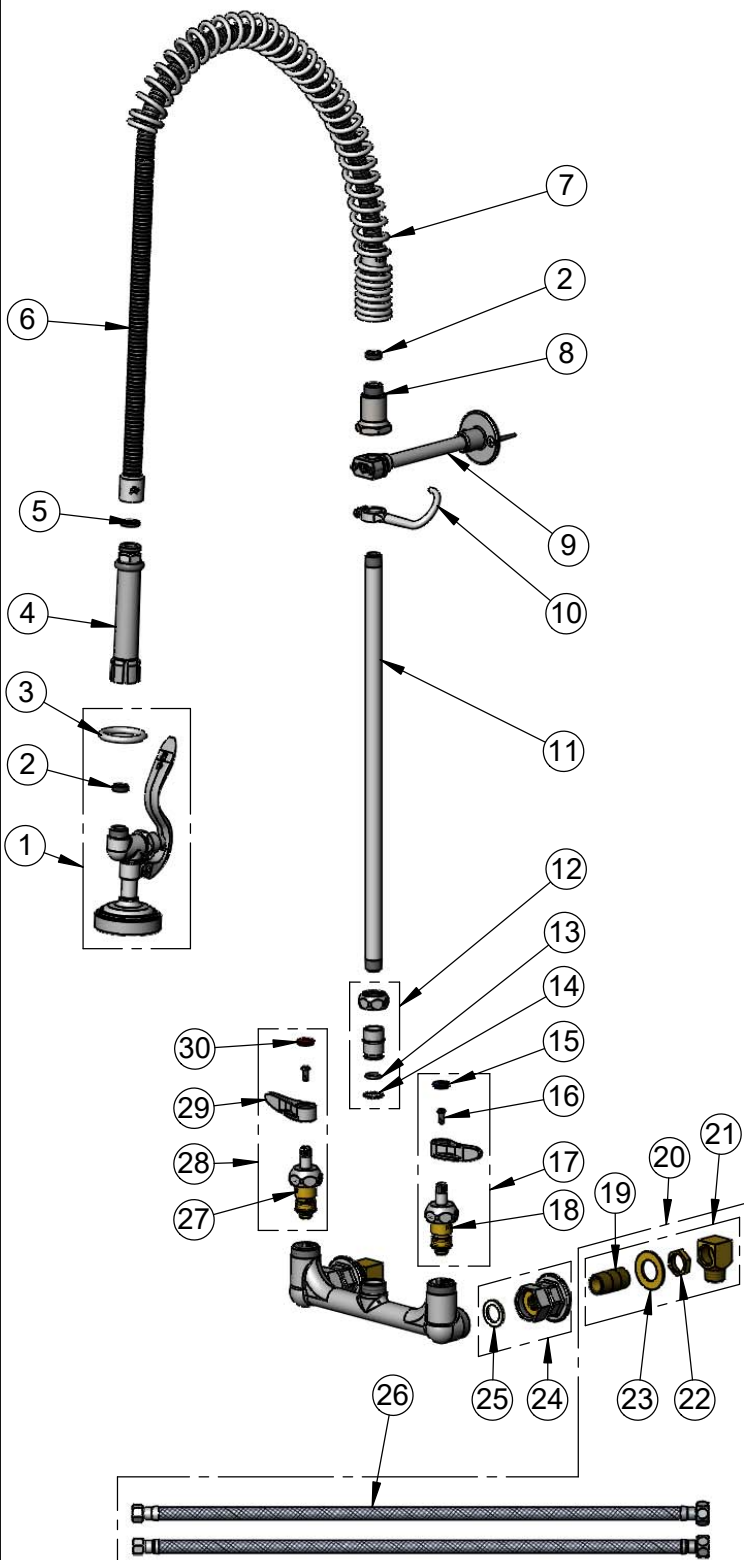
2 Saddleback Cove / P.O. Box 1088  
Travelers Rest, SC 29690

Model No.

**B-0133-CR-B-KIT**

Item No.

Travelers Rest, SC: 800-476-4103 • Simi Valley, CA: 800-423-0150 • Fax: 864-834-3518 • www.tsbrass.com



ITEM NO.	SALES NO.	DESCRIPTION
1	B-0107	1.15 GPM Gray Spray Valve
2	010476-45	#27 Washer
3	000907-45	Spray Valve Hold Down Ring
4	002987-40	Grip Handle
5	001014-45	Washer, B-0100 Hose Barrel
6	B-0044-H2A	44" Flexible Stainless Steel Hose, Less Handle
7	000888-45	EasyInstall Overhead Spring
8	000821-40	Spring Body
9	B-0109-01	6" Wall Bracket
10	004R	Finger Hook
11	000369-40	3/8" NPT x 18" Riser
12	EZ-K	EasyInstall Kit: Nut, Bushing, O-Ring & Lock Washer
13	001065-45	O-Ring
14	014200-45	Star Washer, Anti-Rotation
15	018506-19NS	Blue Button Index, Press-in
16	000925-45	Lab Handle Screw
17	012447-25NS	Quarter-Turn Cerama Cartridge w/ Check Valve, Handle, Blue Index & Screw, LTC
18	012395-25NS	Quarter-Turn Cerama Cartridge w/ Check Valve, LTC
19	013357-20	1/2" NPT x 1-5/8" Close Nipple
20	B-0230-KIT	Short Elbow Installation Kit w/ (2) Hoses
21	B-0230-K	Short Elbow Installation Kit
22	002954-45	Shank Lock Nut
23	000999-45	Brass Lock Washer
24	00AA	1/2" NPT Female Eccentric Flange
25	001019-45	Coupling Nut Washer
26	017420-45	24" Flexible Supply Hose
27	012394-25NS	Quarter-Turn Cerama Cartridge w/ Check Valve, RTC
28	012446-25NS	Quarter-Turn Cerama Cartridge w/ Check Valve, Handle, Red Index & Screw, RTC
29	001638-45NS	Lever Handle (New Style)
30	001193-19NS	Red Button Index, Press-in

**Product Specifications:**

Pre-Rinse Unit: EasyInstall 8" Wall Mount Mixing Faucet, Quarter-Turn Cerama Cartridges w/ Check Valves, Lever Handles, 44" Flexible Stainless Steel Hose, 1.15 GPM Spray Valve, 6" Wall Bracket & 1/2" NPT Male Elbow Installation Kit w/ (2) 24" Flexible Stainless Steel Hoses

**Product Compliance:**

ASME A112.18.1 / CSA B125.1  
NSF 61 - Section 9  
NSF 372 (Low Lead Content)  
2019 DOE PRSV - Class II