



**T&S BRASS AND BRONZE WORKS, INC.**  
 2 Saddleback Cove / P.O. Box 1088  
 Travelers Rest, SC 29690

Model No.  
**B-0165-C35-68H**

Item No.

Travelers Rest, SC: 800-476-4103 • Simi Valley, CA: 800-423-0150 • Fax: 864-834-3518 • www.tsbrass.com

This Space for Architect/Engineer Approval

Job Name \_\_\_\_\_ Date \_\_\_\_\_

Model Specified \_\_\_\_\_ Quantity \_\_\_\_\_

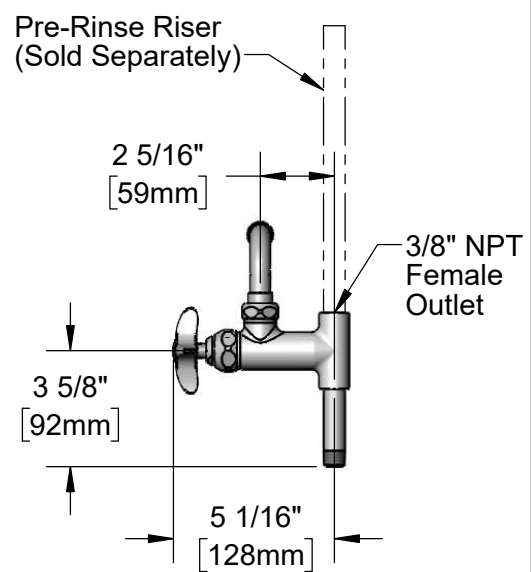
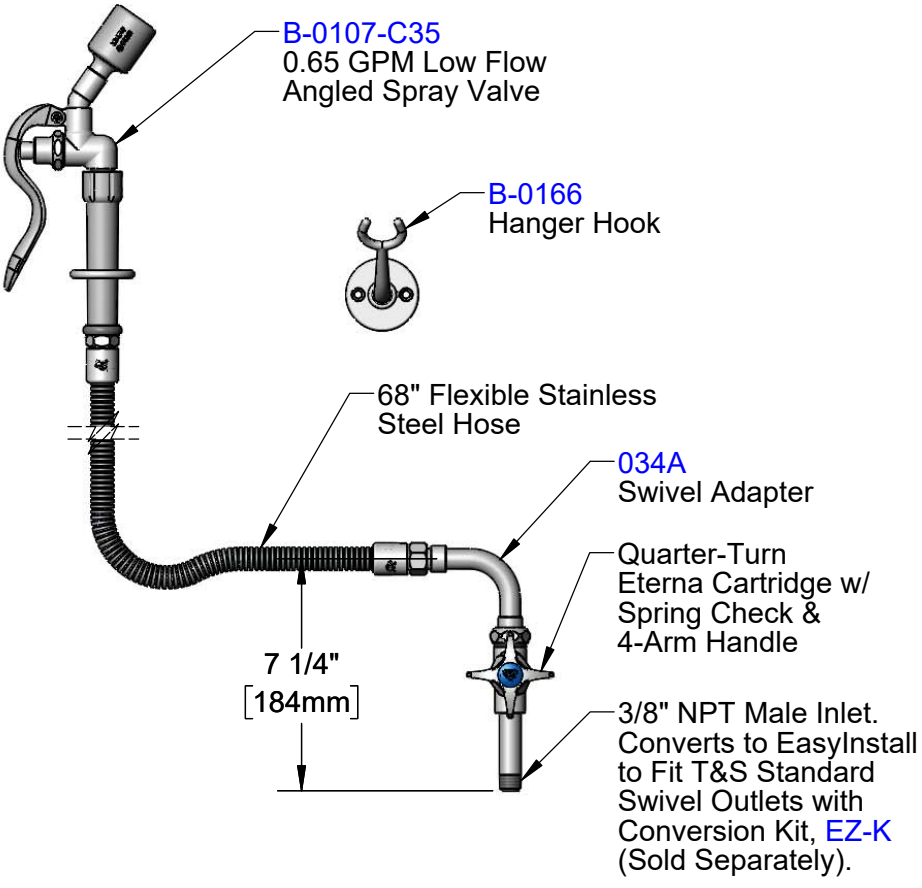
Customer/Wholesaler \_\_\_\_\_

Contractor \_\_\_\_\_

Architect/Engineer \_\_\_\_\_



- Notes:
1. The Add-On Faucet is an Addition to Pre-Rinse Units and is Installed in Outlets of Base Mixing Faucets of Units Before Fitting Riser Pipes
  2. 4-Arm Handle Controls Water On-Off Thru Washdown Hose Only. Pressure is Always "On" in the Riser Pipe (Controlled by Base Mixing Faucet)



Product Specifications:  
 Washdown Hose Unit, Quarter-Turn Eterna Cartridge w/ Spring Check, 4-Arm Handle, 68" Flexible Stainless Steel Hose, 0.65 GPM Low Flow Angled Spray Valve & Hanger Hook

Product Compliance:  
 ASME A112.18.1 / CSA B125.1  
 NSF 61 - Section 9  
 NSF 372 (Low Lead Content)  
 2019 DOE PRSV - Class I

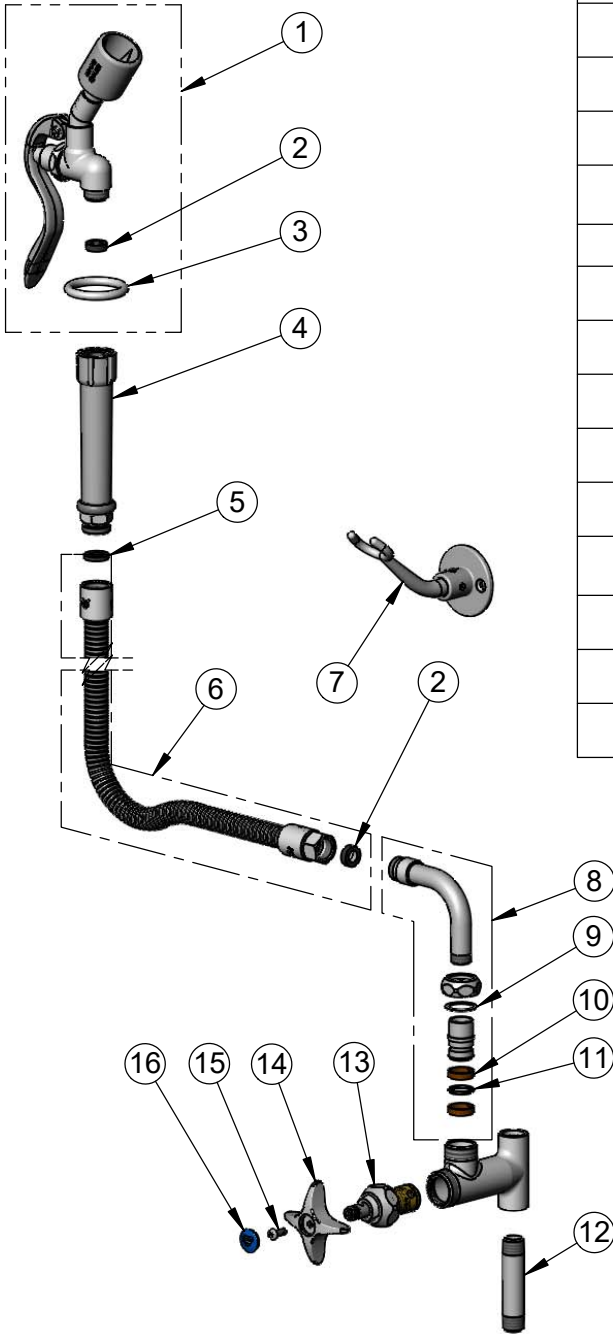


**T&S BRASS AND BRONZE WORKS, INC.**  
 2 Saddleback Cove / P.O. Box 1088  
 Travelers Rest, SC 29690

Model No.  
**B-0165-C35-68H**

Item No.

Travelers Rest, SC: 800-476-4103 • Simi Valley, CA: 800-423-0150 • Fax: 864-834-3518 • www.tsbrass.com



ITEM NO.	SALES NO.	DESCRIPTION
1	B-0107-C35	0.65 GPM Low Flow Angled Spray Valve
2	010476-45	#27 Washer
3	000907-45	Spray Valve Hold Down Ring
4	002987-40	Grip Handle
5	001014-45	Washer, B-0100 Hose Barrel
6	B-0068-H2A	68" Flexible Stainless Steel Hose, Less Grip Handle
7	B-0166	Wall Hook
8	034A	Swivel Adapter
9	009538-45	Swivel Washer
10	011429-45	Swivel Sleeves (2)
11	001074-45	O-Ring
12	000378-40	Nipple, 3/8" NPT x 3"
13	012443-40NS	Quarter-Turn Eterna Cartridge w/ Spring Check, RTC
14	002521-45NS	4-Arm Handle (New Style)
15	000925-45	Lab Handle Screw
16	018506-19NS	Blue Button Index, Press-in

**Product Specifications:**  
 Washdown Hose Unit, Quarter-Turn Eterna Cartridge w/ Spring Check, 4-Arm Handle, 68" Flexible Stainless Steel Hose, 0.65 GPM Low Flow Angled Spray Valve & Hanger Hook

**Product Compliance:**  
 ASME A112.18.1 / CSA B125.1  
 NSF 61 - Section 9  
 NSF 372 (Low Lead Content)  
 2019 DOE PRSV - Class I