



T&S BRASS AND BRONZE WORKS, INC.
 2 Saddleback Cove / P.O. Box 1088
 Travelers Rest, SC 29690

Model No.

B-0185

Item No.

Travelers Rest, SC: 800-476-4103 • Simi Valley, CA: 800-423-0150 • Fax: 864-834-3518 • www.tsbrass.com

This Space for Architect/Engineer Approval

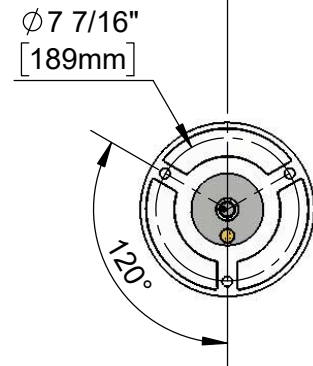
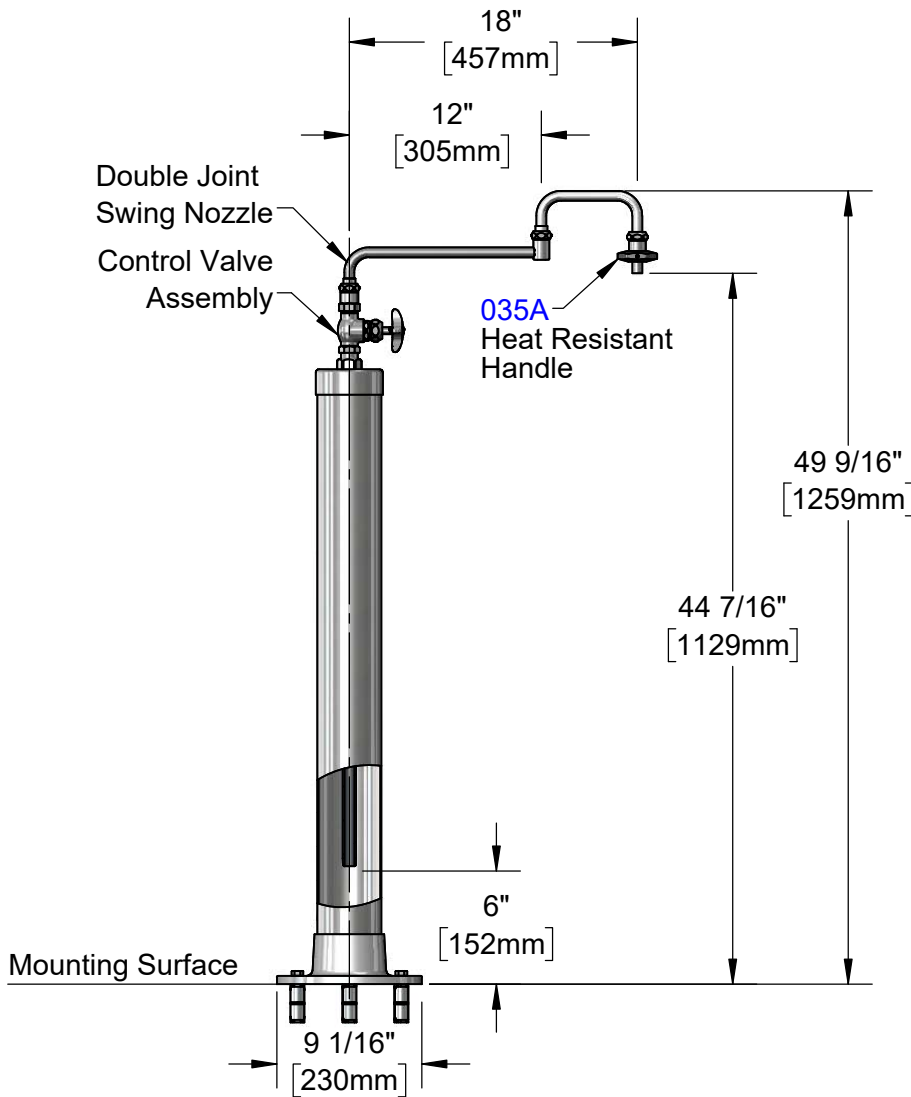
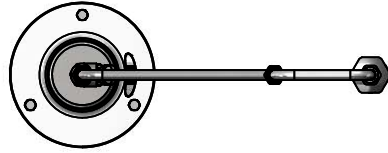
Job Name _____ Date _____

Model Specified _____ Quantity _____

Customer/Wholesaler _____

Contractor _____

Architect/Engineer _____



Product Specifications:

Kettle Kaddy Stanchion w/ Control Valve, 18" Double Joint Swing Nozzle, & On/Off Volume Control

Product Compliance:

ASME A112.18.1 / CSA B125.1
 NSF 61 - Section 9
 NSF 372 (Low Lead Content)

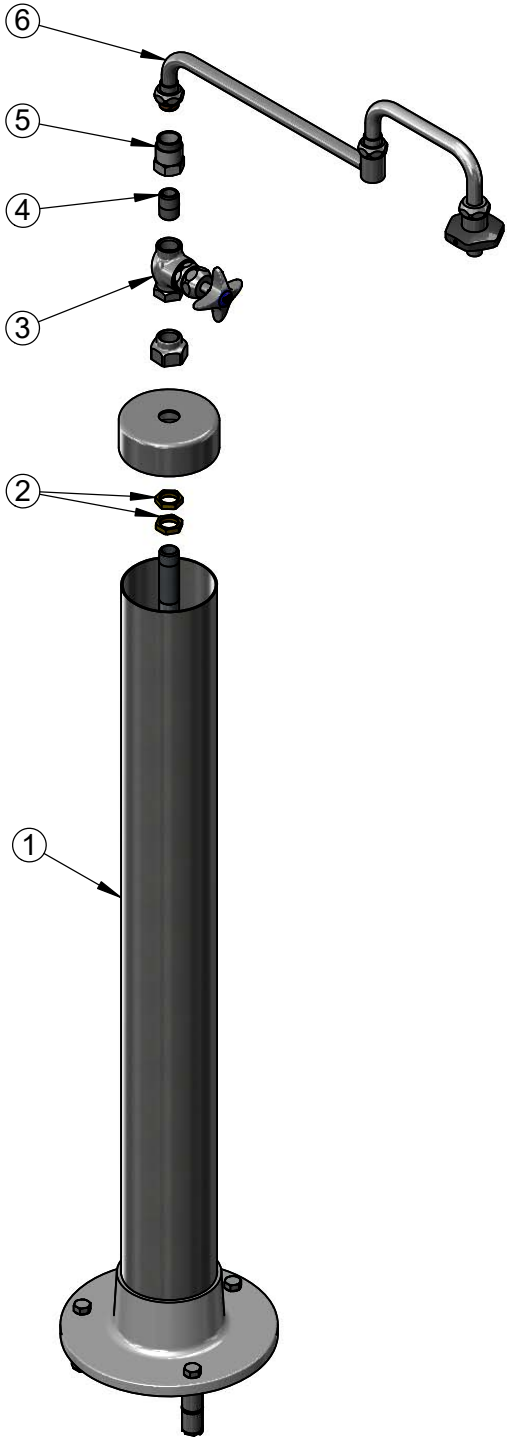


T&S BRASS AND BRONZE WORKS, INC.
 2 Saddleback Cove / P.O. Box 1088
 Travelers Rest, SC 29690

Model No.
B-0185

Item No.

Travelers Rest, SC: 800-476-4103 • Simi Valley, CA: 800-423-0150 • Fax: 864-834-3518 • www.tsbrass.com



ITEM NO.	SALES NO.	DESCRIPTION
1	002847-40	B-0190 Stanchion
2	002954-45	Shank Lock Nut (2)
3	0RK3	Shut-Off Control Valve
4	002534-25	1/2" NPT Male Nipple
5	000590-25	1/2" Adapter
6	002848-40	18" Dbl Jt Swing Nozzle w/ Heat Resistant Handle

Product Specifications:
 Kettle Kaddy Stanchion w/ Control Valve, 18" Double Joint Swing Nozzle,
 & On/Off Volume Control

Product Compliance:
 ASME A112.18.1 / CSA B125.1
 NSF 61 - Section 9
 NSF 372 (Low Lead Content)