



# T&S BRASS AND BRONZE WORKS, INC.

2 Saddleback Cove / P.O. Box 1088  
Travelers Rest, SC 29690

Model No.

**B-0226-V15**

Item No.

Travelers Rest, SC: 800-476-4103 • Simi Valley, CA: 800-423-0150 • Fax: 864-834-3518 • www.tsbrass.com



**ADA Compliant**

This Space for Architect/Engineer Approval

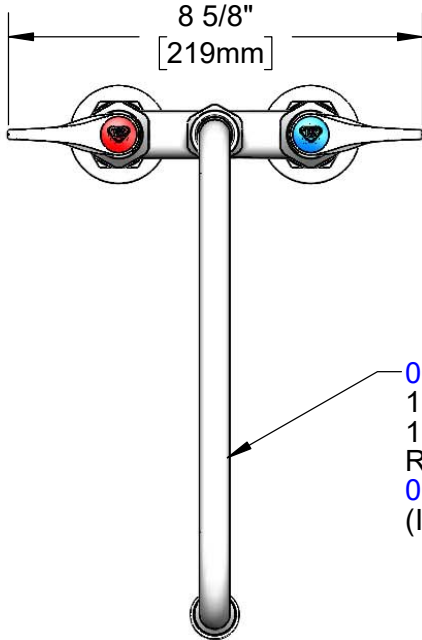
Job Name \_\_\_\_\_ Date \_\_\_\_\_

Model Specified \_\_\_\_\_ Quantity \_\_\_\_\_

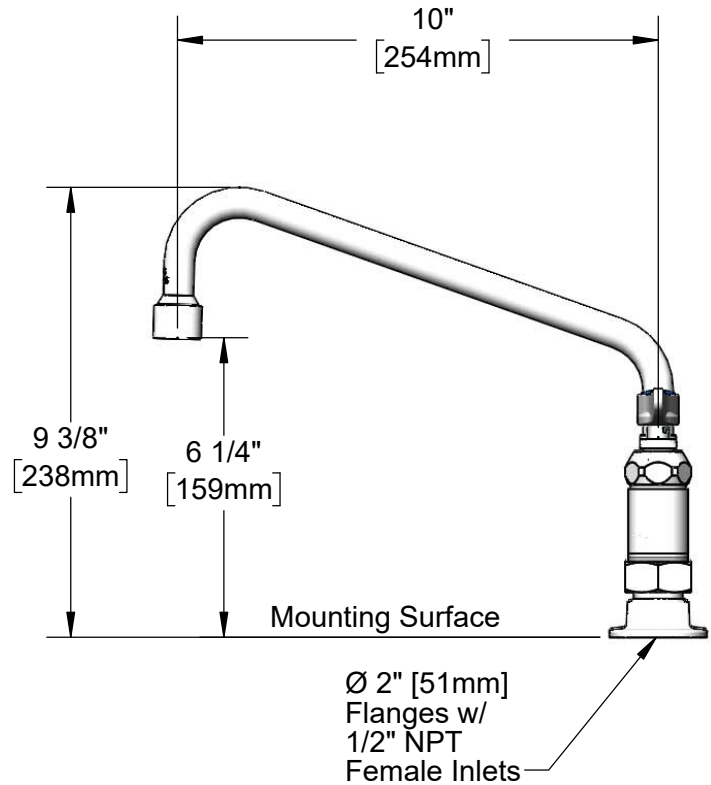
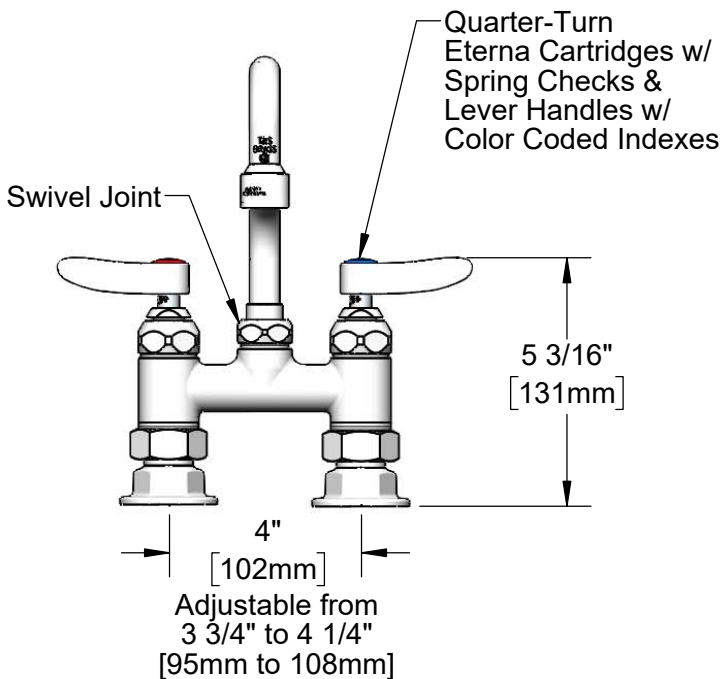
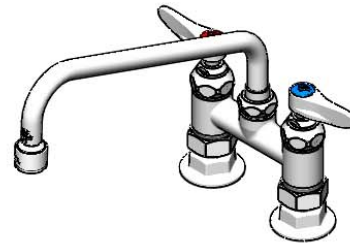
Customer/Wholesaler \_\_\_\_\_

Contractor \_\_\_\_\_

Architect/Engineer \_\_\_\_\_



**061X-V15**  
10" Swing Nozzle w/  
1.5 GPM VR Aerator.  
Rigid Conversion Requires  
**014200-45** Lock Washer  
(Included)



**Product Specifications:**

4" Deck Mount Mixing Faucet, Quarter-Turn Eterna Cartridges w/ Spring Checks, Lever Handles, 10" Swing Nozzle w/ 1.5 GPM VR Aerator & 1/2" NPT Female Inlets

**Product Compliance:**

ASME A112.18.1 / CSA B125.1  
NSF 61 - Section 9  
NSF 372 (Low Lead Content)  
ANSI A117.1 (ADA)  
SASO (Saudi Arabia)



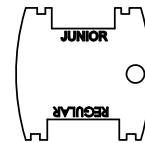
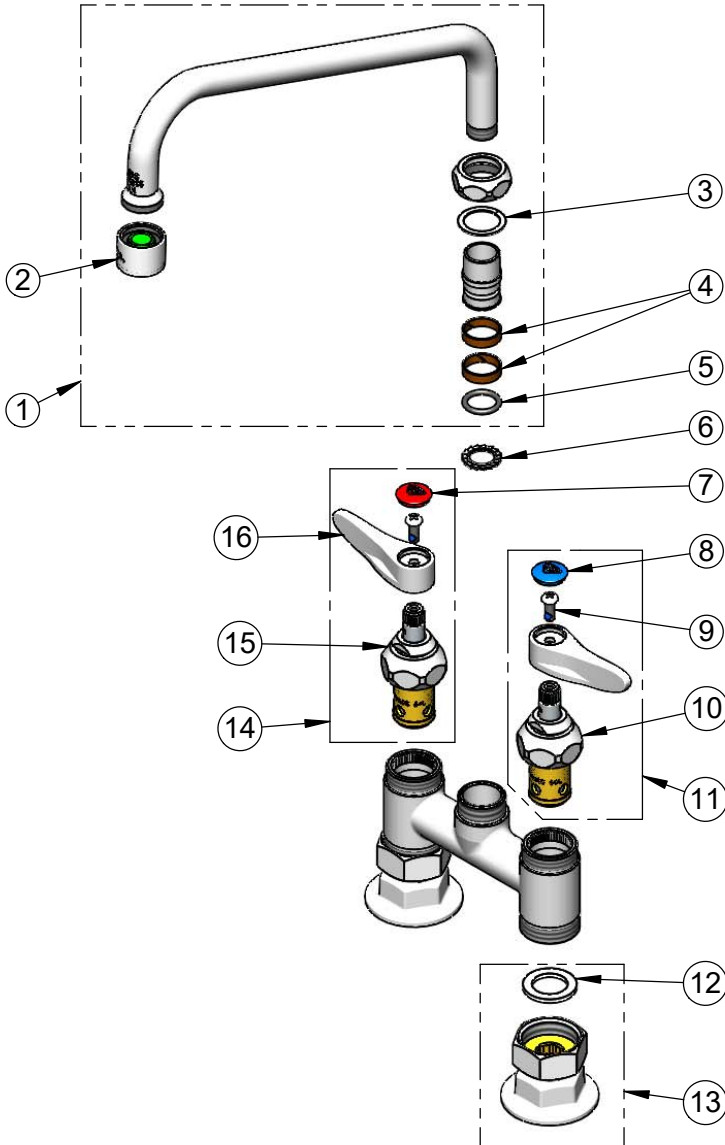
**T&S BRASS AND BRONZE WORKS, INC.**  
 2 Saddleback Cove / P.O. Box 1088  
 Travelers Rest, SC 29690

Model No.  
**B-0226-V15**

Item No.

Travelers Rest, SC: 800-476-4103 • Simi Valley, CA: 800-423-0150 • Fax: 864-834-3518 • www.tsbrass.com

ITEM NO.	SALES NO.	DESCRIPTION
1	061X-V15	10" Swing Nozzle w/ 1.5 GPM VR Aerator
2	B-0199-06-WS	VR 1.5 GPM Aerator, 55/64-27 UN Female w/ Key
3	009538-45	Swivel Washer
4	011429-45	Swivel Sleeves (2)
5	001065-45	O-Ring
6	014200-45	Star Washer, Anti-Rotation
7	001193-19NS	Red Button Index, Press-in
8	018506-19NS	Blue Button Index, Press-in
9	000925-45	Lab Handle Screw
10	012442-40NS	Quarter-Turn Eterna Cartridge w/ Spring Check, LTC
11	002711-40NS	Quarter-Turn Eterna Cartridge w/ Spring Check, Handle, Blue Index & Screw, LTC
12	001019-45	Coupling Nut Washer
13	00AA	1/2" NPT Female Eccentric Flange
14	002712-40NS	Quarter-Turn Eterna Cartridge w/ Spring Check, Handle, Red Index & Screw, RTC
15	012443-40NS	Quarter-Turn Eterna Cartridge w/ Spring Check, RTC
16	001638-45NS	Lever Handle (New Style)



015425-45

Vandal Resistant Key

Product Specifications:

4" Deck Mount Mixing Faucet, Quarter-Turn Eterna Cartridges w/ Spring Checks, Lever Handles, 10" Swing Nozzle w/ 1.5 GPM VR Aerator & 1/2" NPT Female Inlets

Product Compliance:

ASME A112.18.1 / CSA B125.1  
 NSF 61 - Section 9  
 NSF 372 (Low Lead Content)  
 ANSI A117.1 (ADA)  
 SASO (Saudi Arabia)