



**T&S BRASS AND BRONZE WORKS, INC.**  
 2 Saddleback Cove / P.O. Box 1088  
 Travelers Rest, SC 29690

Model No.  
**B-0230-02**

Item No.

Travelers Rest, SC: 800-476-4103 • Simi Valley, CA: 800-423-0150 • Fax: 864-834-3518 • www.tsbrass.com



**ADA Compliant**

This Space for Architect/Engineer Approval

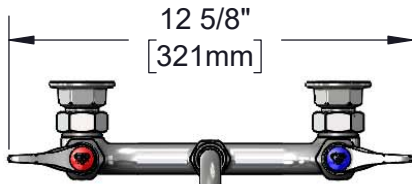
Job Name \_\_\_\_\_ Date \_\_\_\_\_

Model Specified \_\_\_\_\_ Quantity \_\_\_\_\_

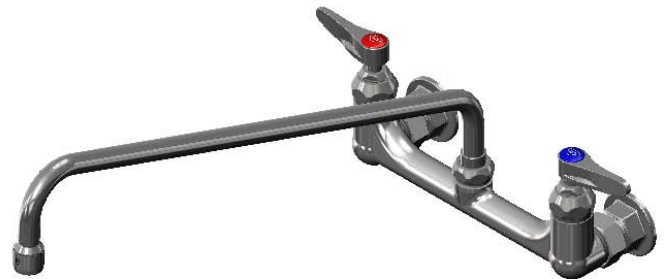
Customer/Wholesaler \_\_\_\_\_

Contractor \_\_\_\_\_

Architect/Engineer \_\_\_\_\_

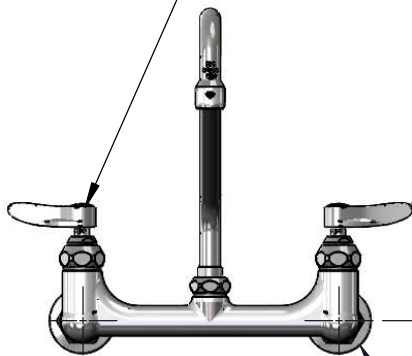


12 5/8"  
[321mm]



**065X-A22**  
 18" Swing Nozzle w/  
 2.2 GPM Aerator  
 Converts to Rigid w/ **014200-45**  
 Lock Washer (Included).

Quarter-Turn Eterna  
 Cartridges w/  
 Spring Checks &  
 Lever Handles w/  
 Color Coded Indexes

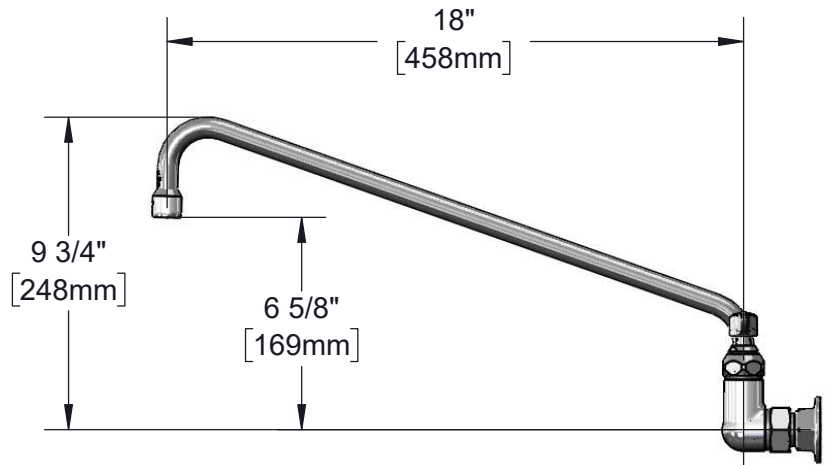


8"  
[203mm]

Adjustable from  
 7 3/4" to 8 1/4"  
 [197mm to 210mm]

3 11/16"  
[94mm]

Ø 2" [51mm]  
 Flanges w/  
 1/2" NPT  
 Female Inlets



18"  
[458mm]

9 3/4"  
[248mm]

6 5/8"  
[169mm]

2 3/8"  
[61mm]

Mounting  
 Surface

**Product Specifications:**

8" Wall Mount Mixing Faucet, Quarter-Turn Eterna Cartridges w/ Spring Checks, Lever Handles, 18" Swivel Nozzle w/ 2.2 GPM Aerator & 1/2" NPT Female Inlets

**Product Compliance:**

ASME A112.18.1 / CSA B125.1  
 NSF 61 - Section 9  
 NSF 372 (Low Lead Content)  
 ANSI A117.1 (ADA)



# T&S BRASS AND BRONZE WORKS, INC.

2 Saddleback Cove / P.O. Box 1088  
Travelers Rest, SC 29690

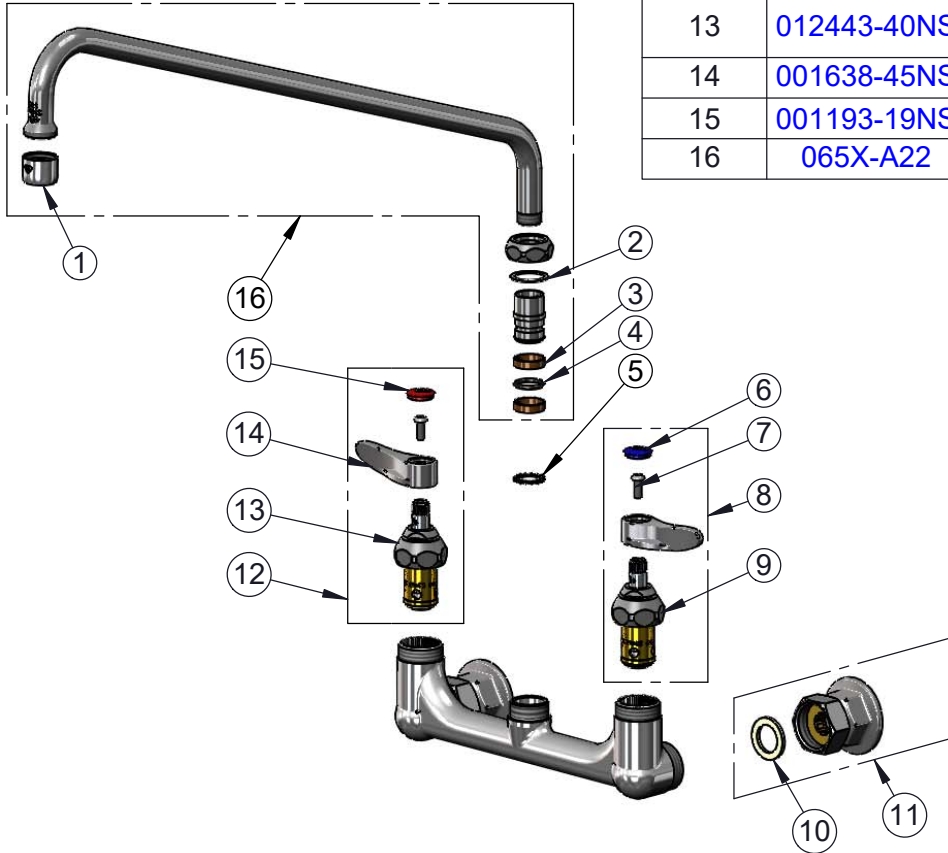
Model No.

**B-0230-02**

Item No.

Travelers Rest, SC: 800-476-4103 • Simi Valley, CA: 800-423-0150 • Fax: 864-834-3518 • www.tsbrass.com

| ITEM NO. | SALES NO.   | DESCRIPTION  |
|----------|-------------|--|
| 1        | B-0199-01   | 2.2 GPM Aerator, 55/64"-27 UN Female   |
| 2        | 009538-45   | Swivel Washer  |
| 3        | 011429-45   | Swivel Sleeves (2)   |
| 4        | 001074-45   | O-Ring   |
| 5        | 014200-45   | Star Washer, Anti-Rotation   |
| 6        | 018506-19NS | Blue Button Index, Press-in  |
| 7        | 000925-45   | Lab Handle Screw   |
| 8        | 002711-40NS | Quarter-Turn Eterna Cartridge w/ Spring Check, Handle, Blue Index & Screw, LTC |
| 9        | 012442-40NS | Quarter-Turn Eterna Cartridge w/ Spring Check, LTC                             |
| 10       | 001019-45   | Coupling Nut Washer  |
| 11       | 00AA        | 1/2" NPT Female Eccentric Flange   |
| 12       | 002712-40NS | Quarter-Turn Eterna Cartridge w/ Spring Check, Handle, Red Index & Screw, RTC  |
| 13       | 012443-40NS | Quarter-Turn Eterna Cartridge w/ Spring Check, RTC                             |
| 14       | 001638-45NS | Lever Handle (New Style)   |
| 15       | 001193-19NS | Red Button Index, Press-in   |
| 16       | 065X-A22    | 18" Swing Nozzle w/ 2.2 GPM Aerator  |



**Product Specifications:**

8" Wall Mount Mixing Faucet, Quarter-Turn Eterna Cartridges w/ Spring Checks, Lever Handles, 18" Swivel Nozzle w/ 2.2 GPM Aerator & 1/2" NPT Female Inlets

**Product Compliance:**

ASME A112.18.1 / CSA B125.1  
NSF 61 - Section 9  
NSF 372 (Low Lead Content)  
ANSI A117.1 (ADA)