



**T&S BRASS AND BRONZE WORKS, INC.**  
 2 Saddleback Cove / P.O. Box 1088  
 Travelers Rest, SC 29690

Model No.  
**B-0230-LN**

Item No.

Travelers Rest, SC: 800-476-4103 • Simi Valley, CA: 800-423-0150 • Fax: 864-834-3518 • www.tsbrass.com



**ADA Compliant**

This Space for Architect/Engineer Approval

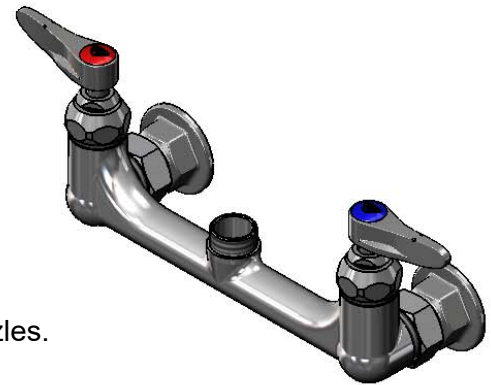
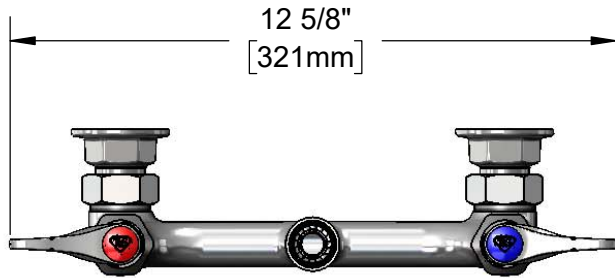
Job Name \_\_\_\_\_ Date \_\_\_\_\_

Model Specified \_\_\_\_\_ Quantity \_\_\_\_\_

Customer/Wholesaler \_\_\_\_\_

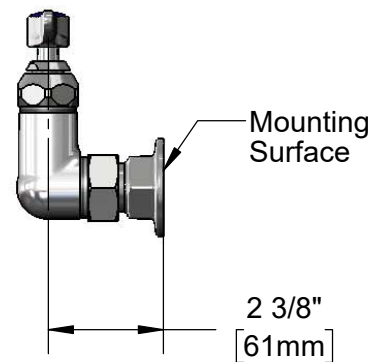
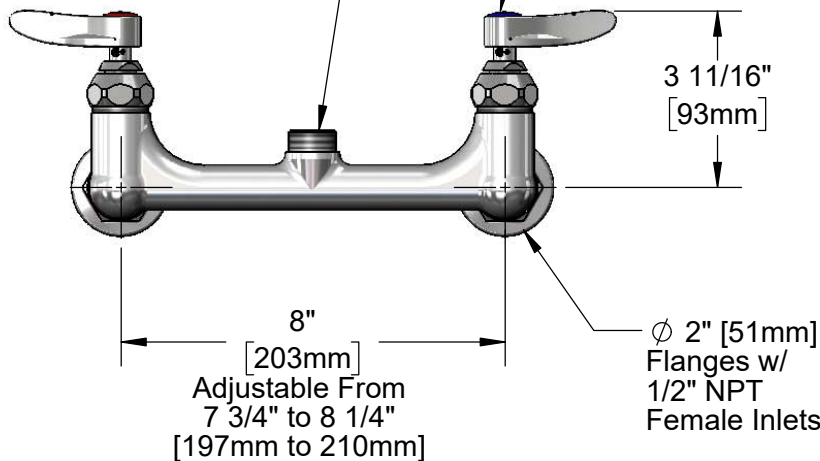
Contractor \_\_\_\_\_

Architect/Engineer \_\_\_\_\_



Swivel Outlet Accepts  
 Standard T&S Swing Nozzles.  
 Converts to Rigid w/  
**014200-45**  
 Lock Washer (Included)

Quarter-Turn Eterna  
 Cartridges w/  
 Spring Checks &  
 Lever Handles w/  
 Color Coded Indexes



**Product Specifications:**

8" Wall Mount Mixing Faucet, Quarter-Turn Eterna Cartridges w/  
 Spring Checks, Lever Handles & 1/2" NPT Female Inlets, Less Nozzle

**Product Compliance:**

ASME A112.18.1 / CSA B125.1  
 NSF 61 - Section 9  
 NSF 372 (Low Lead Content)  
 ANSI A117.1 (ADA)



# T&S BRASS AND BRONZE WORKS, INC.

2 Saddleback Cove / P.O. Box 1088  
Travelers Rest, SC 29690

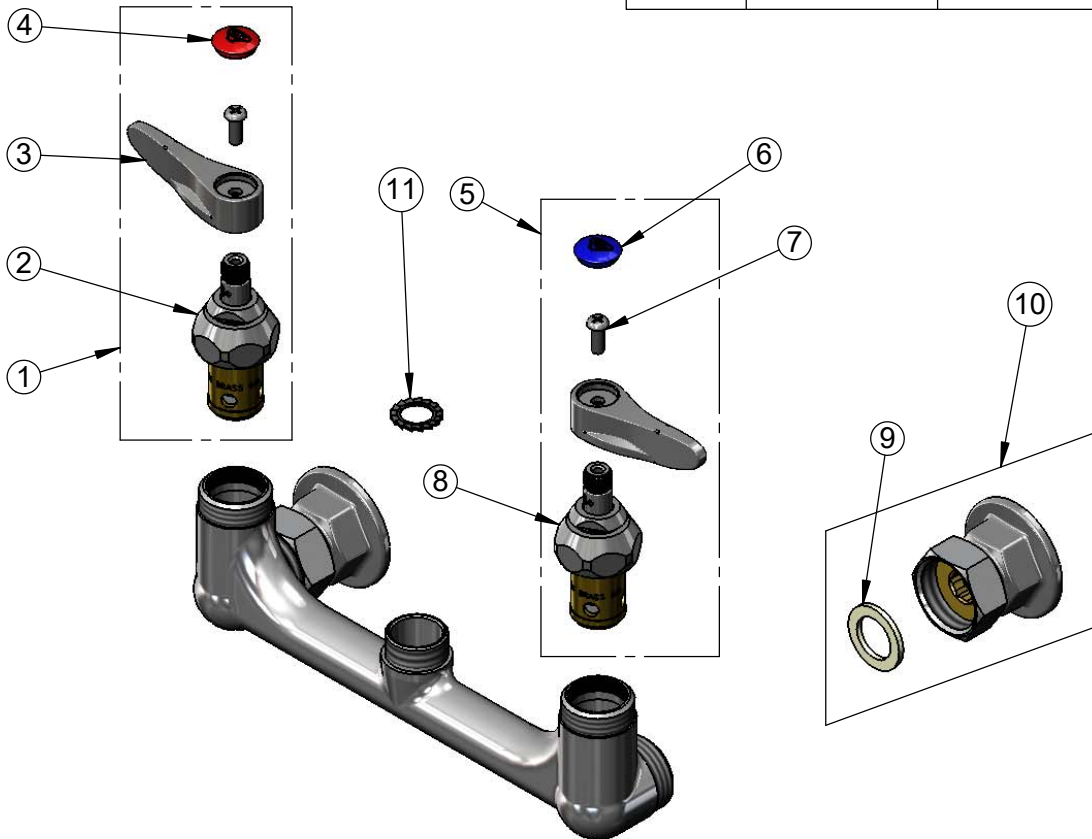
Model No.

**B-0230-LN**

Item No.

Travelers Rest, SC: 800-476-4103 • Simi Valley, CA: 800-423-0150 • Fax: 864-834-3518 • www.tsbrass.com

ITEM NO.	SALES NO.	DESCRIPTION
1	002712-40NS	Quarter-Turn Eterna Cartridge w/ Spring Check, Handle, Red Index & Screw, RTC
2	012443-40NS	Quarter-Turn Eterna Cartridge w/ Spring Check, RTC
3	001638-45NS	Lever Handle (New Style)
4	001193-19NS	Red Button Index, Press-in
5	002711-40NS	Quarter-Turn Eterna Cartridge w/ Spring Check, Handle, Blue Index & Screw, LTC
6	018506-19NS	Blue Button Index, Press-in
7	000925-45	Lab Handle Screw
8	012442-40NS	Quarter-Turn Eterna Cartridge w/ Spring Check, LTC
9	001019-45	Coupling Nut Washer
10	00AA	1/2" NPT Female Eccentric Flange
11	014200-45	Star Washer, Anti-Rotation



**Product Specifications:**

8" Wall Mount Mixing Faucet, Quarter-Turn Eterna Cartridges w/ Spring Checks, Lever Handles & 1/2" NPT Female Inlets, Less Nozzle

**Product Compliance:**

ASME A112.18.1 / CSA B125.1  
NSF 61 - Section 9  
NSF 372 (Low Lead Content)  
ANSI A117.1 (ADA)