



# T&S BRASS AND BRONZE WORKS, INC.

2 Saddleback Cove / P.O. Box 1088  
Travelers Rest, SC 29690

Model No.

**B-0273**

Item No.

Travelers Rest, SC: 800-476-4103 • Simi Valley, CA: 800-423-0150 • Fax: 864-834-3518 • www.tsbrass.com

This Space for Architect/Engineer Approval

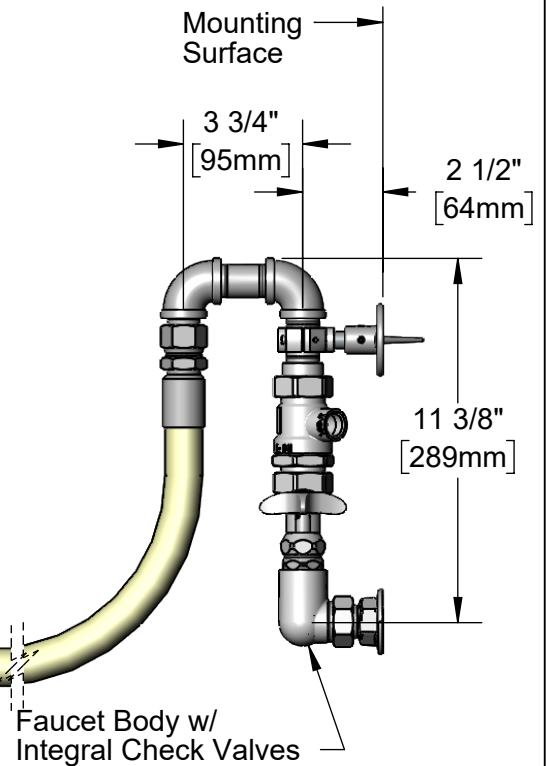
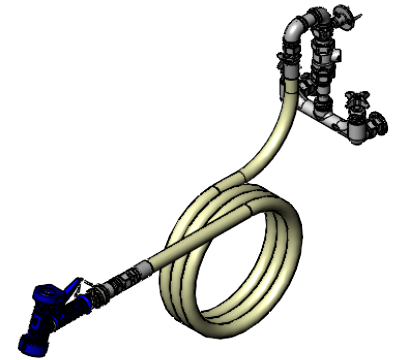
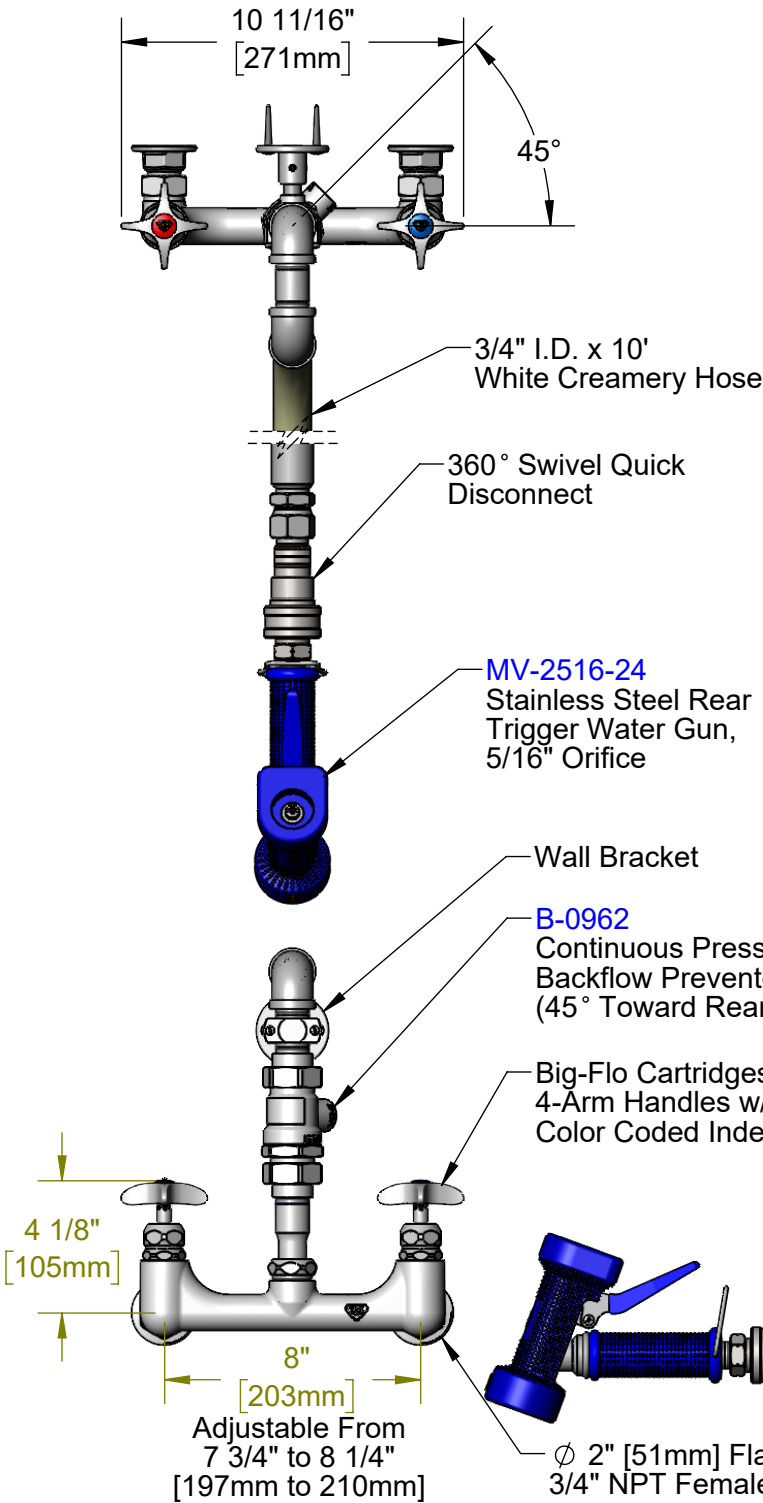
Job Name \_\_\_\_\_ Date \_\_\_\_\_

Model Specified \_\_\_\_\_ Quantity \_\_\_\_\_

Customer/Wholesaler \_\_\_\_\_

Contractor \_\_\_\_\_

Architect/Engineer \_\_\_\_\_



**Product Specifications:**

8" Wall Mount Big-Flo Mixing Faucet, 4-Arm Handles, Backflow Preventer, Wall Bracket, 10' White Creamery Hose, Quick Disconnect, Rear Trigger Water Gun, Integral Check Valves & 3/4" NPT Female Inlets

**Product Compliance:**

ASME A112.18.1 / CSA B125.1  
NSF 61 Exempt (Non-Potable)  
ASSE 1012 (VB)



# T&S BRASS AND BRONZE WORKS, INC.

2 Saddleback Cove / P.O. Box 1088  
Travelers Rest, SC 29690

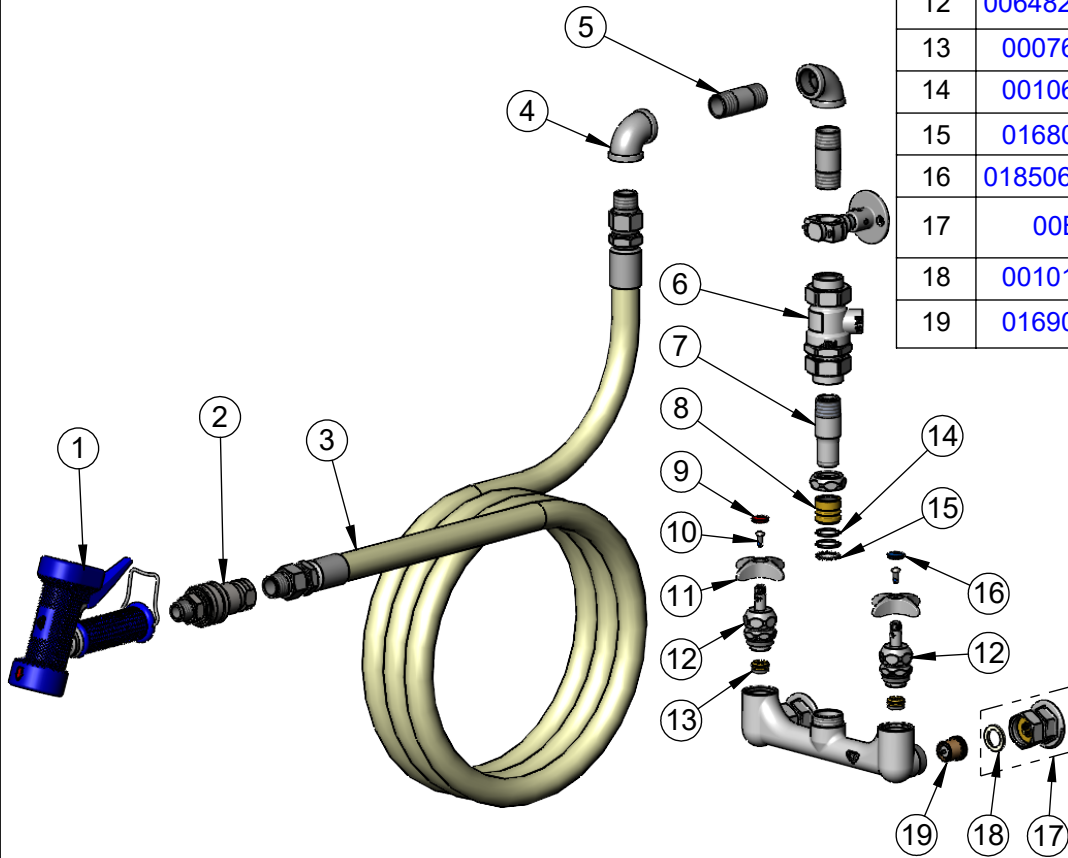
Model No.

**B-0273**

Item No.

Travelers Rest, SC: 800-476-4103 • Simi Valley, CA: 800-423-0150 • Fax: 864-834-3518 • www.tsbrass.com

ITEM NO.	SALES NO.	DESCRIPTION
1	MV-2516-24	Stainless Steel Rear Trigger Water Gun, 5/16" Orifice
2	B-0273-QD	1/2" NPT Washdown Quick Disconnect
3	014034-45	3/4" I.D. x 10' White Creamery Hose
4	001720-40	3/4" NPT Elbow
5	004525-40	3/4" NPT x 2 1/2" Nipple
6	B-0962	3/4" NPT Continuous Pressure Backflow Preventer
7	016808-40	Big-Flo EasyInstall Add-on Faucet Nipple
8	000847-20	Big-Flo Swivel Piece
9	001193-19NS	Red Button Index, Press-in
10	000925-45	Lab Handle Screw
11	002521-45NS	4-Arm Handle (New Style)
12	006482-40NS	Big-Flo Cartridge, RTC
13	000764-20	Seat, Big-Flo
14	001068-45	O-ring
15	016807-45	Serrated Lock Washer
16	018506-19NS	Blue Button Index, Press-in
17	00BB	3/4" NPT Female Eccentric Flange
18	001019-45	Coupling Nut Washer
19	016902-20	Big-Flo Check Valve



**Product Specifications:**

8" Wall Mount Big-Flo Mixing Faucet, 4-Arm Handles, Backflow Preventer, Wall Bracket, 10' White Creamery Hose, Quick Disconnect, Rear Trigger Water Gun, Integral Check Valves & 3/4" NPT Female Inlets

**Product Compliance:**

ASME A112.18.1 / CSA B125.1  
NSF 61 Exempt (Non-Potable)  
ASSE 1012 (VB)