



T&S BRASS AND BRONZE WORKS, INC.

2 Saddleback Cove / P.O. Box 1088
Travelers Rest, SC 29690

Model No.

B-0300-VR4

Item No.

Travelers Rest, SC: 800-476-4103 • Simi Valley, CA: 800-423-0150 • Fax: 864-834-3518 • www.tsbrass.com



ADA Compliant

This Space for Architect/Engineer Approval

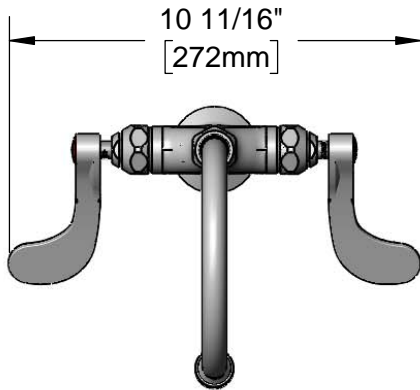
Job Name _____ Date _____

Model Specified _____ Quantity _____

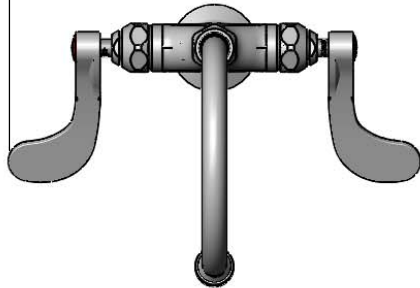
Customer/Wholesaler _____

Contractor _____

Architect/Engineer _____

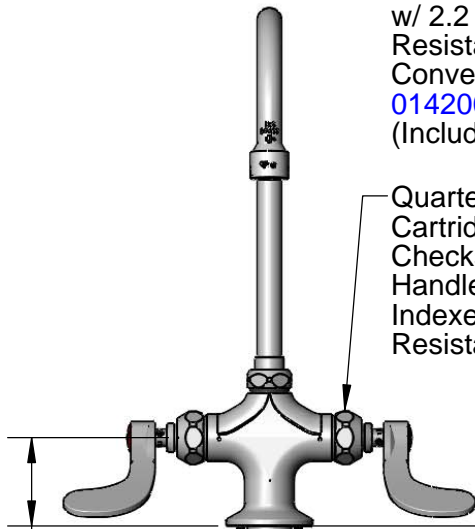


10 11/16"
[272mm]



Swivel/Rigid Gooseneck w/ 2.2 GPM Vandal Resistant Aerator. Converts to Rigid w/ 014200-45 Lock Washer (Included)

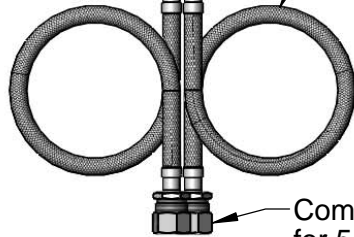
Quarter-Turn Eterna Cartridges w/ Spring Checks & 4" Wrist Action Handles w/ Color Coded Indexes & Vandal Resistant Screws



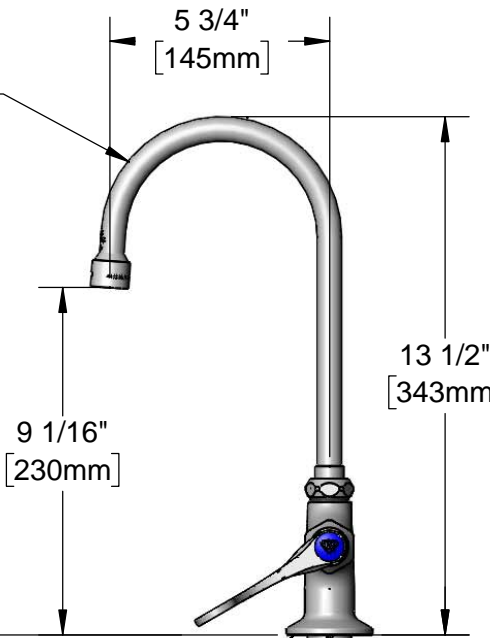
Mounting Surface

2 5/16"
[58mm]

18" Flexible Stainless Steel Supply Hoses



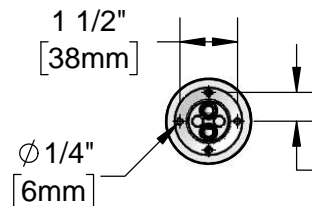
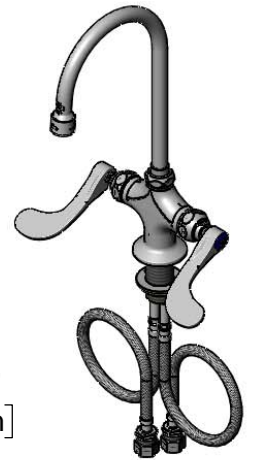
Compression Fittings for 5/8" O.D. Copper Tubing (Remove Compression Nut for 1/2" NPSM Male)



Ø 2 1/4" [57mm] Base Flange w/ (2) Anti-Rotation Screws

13 1/2"
[343mm]

1 3/8"
[35mm] Maximum Thickness



Bottom View
VR Pin Hole Pattern

Rough-In Requirement:

- Ø 1 1/2" [38mm] Mounting Hole
- (2) Ø 1/4" [6mm] Anti-Rotation Holes

Product Specifications:

Single Hole Deck Mount Mixing Faucet, Quarter-Turn Eterna Cartridges w/ Spring Checks, 4" Wrist Action Handles w/ Vandal Resistant Screws, 5 3/4" Swivel/Rigid Gooseneck w/ 2.2 GPM Vandal Resistant Aerator, 18" Flexible Stainless Steel Supply Hoses w/ 1/2" NPSM Male Inlets & Vandal Resistant Anti-Rotational Pins

Product Compliance:

ASME A112.18.1 / CSA B125.1
NSF 61 - Section 9
NSF 372 (Low Lead Content)
ANSI A117.1 (ADA)



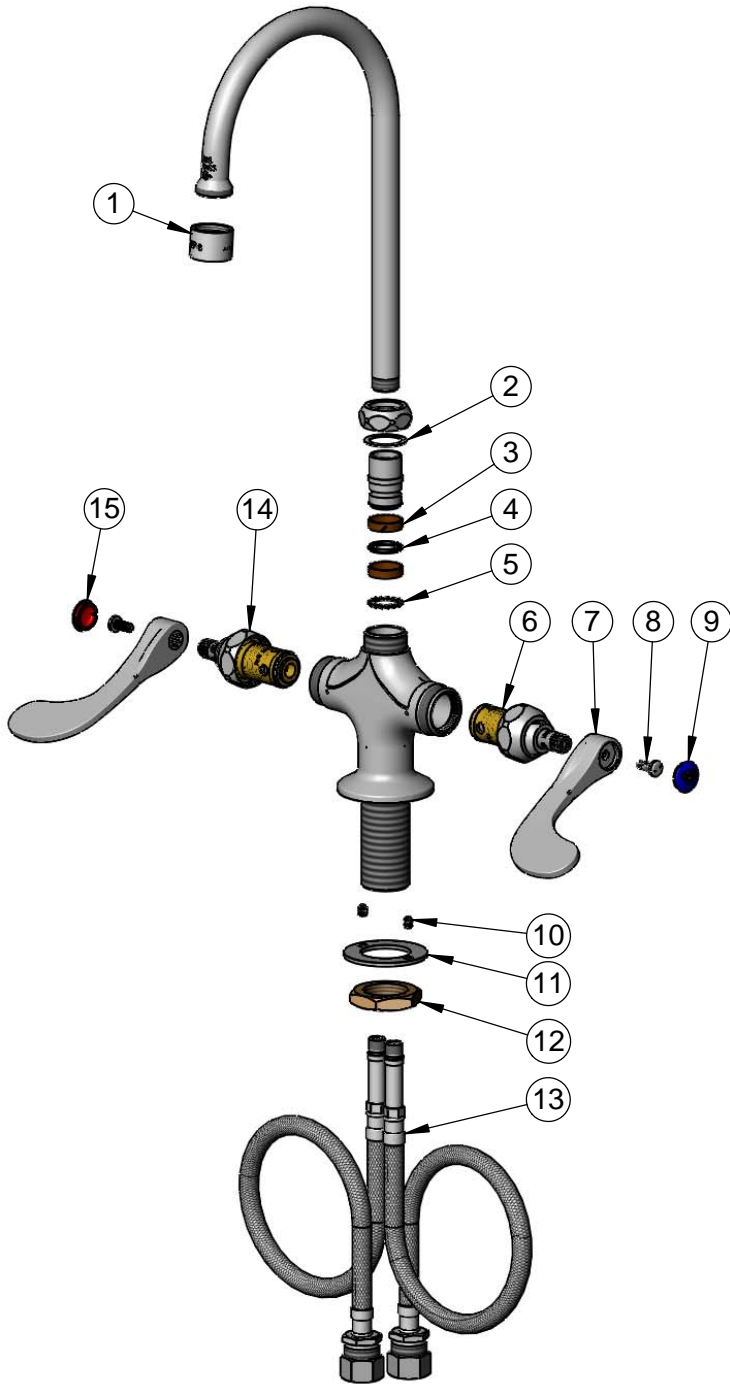
T&S BRASS AND BRONZE WORKS, INC.
 2 Saddleback Cove / P.O. Box 1088
 Travelers Rest, SC 29690

Model No.
B-0300-VR4

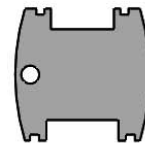
Item No.

Travelers Rest, SC: 800-476-4103 • Simi Valley, CA: 800-423-0150 • Fax: 864-834-3518 • www.tsbrass.com

ITEM NO.	SALES NO.	DESCRIPTION
1	B-0199-06	VR 2.2 GPM Aerator w/ Key
2	009538-45	Swivel Washer
3	011429-45	Swivel Sleeves (2)
4	001074-45	O-Ring
5	014200-45	Star Washer, Anti-Rotation
6	012442-40NS	Quarter-Turn Eterna Cartridge w/ Spring Check, LTC
7	B-WH4-NS	Wrist Action Handle (New Style)
8	VRS-2	VR Wrist Action Handle Screw (2) w/ Spanner Bit
9	018506-19NS	Blue Button Index, Press-in
10	012698-45	Anti-Rotation Screw (2)
11	013039-20	Washer, VR Shank
12	000965-45	Lock Nut
13	012534-45	18" Flexible Supply Hose (2)
14	012443-40NS	Quarter-Turn Eterna Cartridge w/ Spring Check, RTC
15	001193-19NS	Red Button Index, Press-in



014075-45
VR Spanner Bit



015425-45
VR Aerator Key

Product Specifications:

Single Hole Deck Mount Mixing Faucet, Quarter-Turn Eterna Cartridges w/ Spring Checks, 4" Wrist Action Handles w/ Vandal Resistant Screws, 5 3/4" Swivel/Rigid Gooseneck w/ 2.2 GPM Vandal Resistant Aerator, 18" Flexible Stainless Steel Supply Hoses w/ 1/2" NPSM Male Inlets & Vandal Resistant Anti-Rotational Pins

Product Compliance:

ASME A112.18.1 / CSA B125.1
 NSF 61 - Section 9
 NSF 372 (Low Lead Content)
 ANSI A117.1 (ADA)