



T&S BRASS AND BRONZE WORKS, INC.

2 Saddleback Cove / P.O. Box 1088
Travelers Rest, SC 29690

Model No.

B-0301-WH4

Item No.

Travelers Rest, SC: 800-476-4103 • Simi Valley, CA: 800-423-0150 • Fax: 864-834-3518 • www.tsbrass.com

This Space for Architect/Engineer Approval

Job Name _____ Date _____

Model Specified _____ Quantity _____

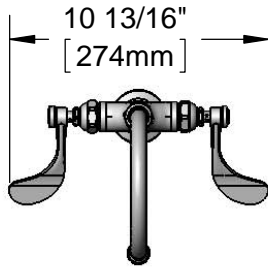
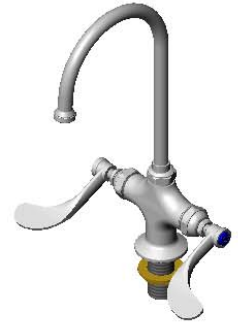
Customer/Wholesaler _____

Contractor _____

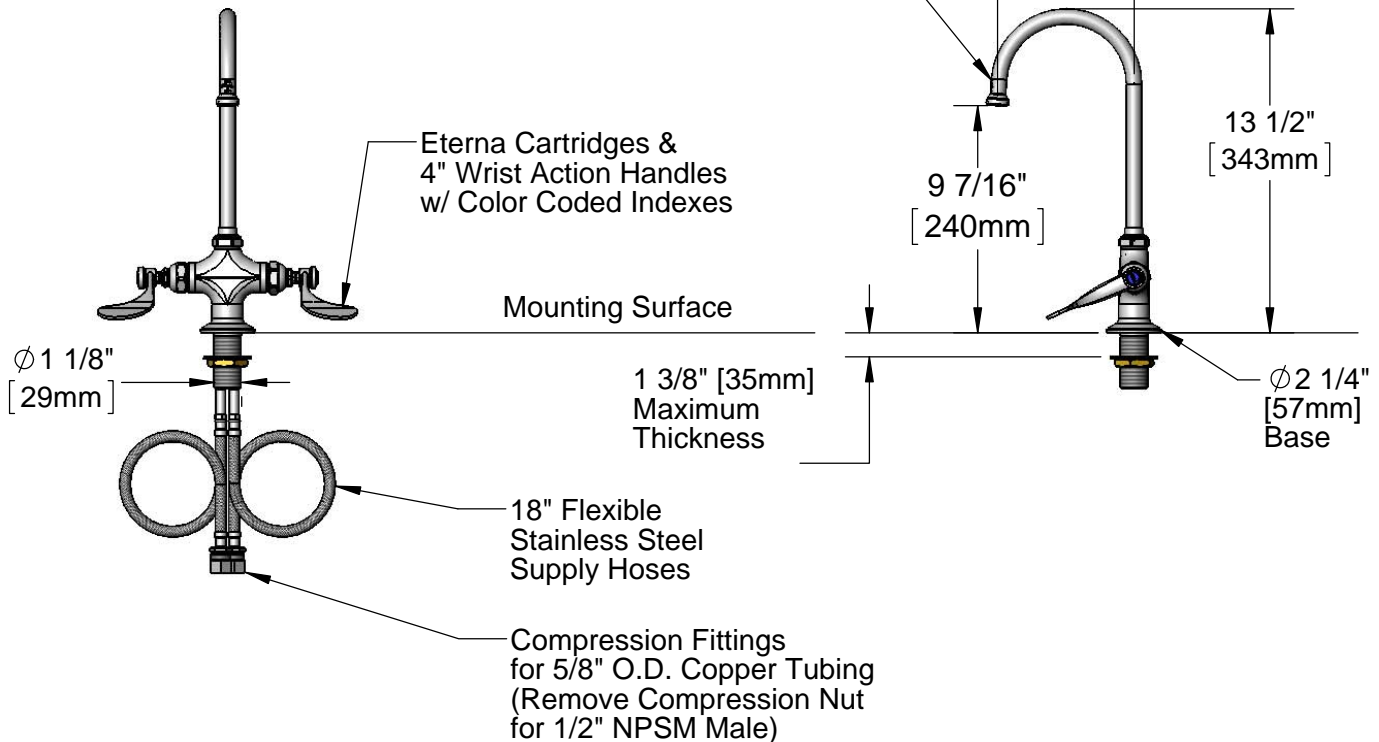
Architect/Engineer _____



ADA Compliant



133X
Swivel Gooseneck
w/ Stream Regulator Outlet



Rough-In Requirement:
Ø 1 1/2" [38mm] Mounting Hole

Product Specifications:

Single Hole Deck Mount Mixing Faucet w/ Eterna Cartridges, Swivel Gooseneck w/ Stream Regulator Outlet, 4" Wrist Action Handles, & 18" Stainless Steel Supply Hoses w/ 1/2" NPSM Male Inlets

Drawn

JRM

Checked

DHL

Approved

JHB

Scale:

1:8

Date:

06/05/15



T&S BRASS AND BRONZE WORKS, INC.

2 Saddleback Cove / P.O. Box 1088
Travelers Rest, SC 29690

Model No.

B-0301-WH4

Item No.

Travelers Rest, SC: 800-476-4103 • Simi Valley, CA: 800-423-0150 • Fax: 864-834-3518 • www.tsbrass.com

ITEM NO.	SALES NO.	DESCRIPTION
1	B-PT	Stream Regulator Outlet
2	001048-45	Nozzle Tip Washer
3	133X	Swivel Gooseneck w/ B-PT
4	009538-45	Swivel Washer
5	011429-45	Swivel Sleeves (2)
6	001074-45	O-Ring
7	006009-40	Eterna Cartridge LTC w/ Teflon Seat
8	B-WH4	4" Wrist Action Handle
9	000925-45	Lab Handle Screw
10	001686-45	Blue Index - CW
11	012534-45	18" Flexible Supply Hose (2)
12	000965-45	Lock Nut
13	002290-45	Lock Washer
14	006010-40	Eterna Cartridge RTC w/ Teflon Seat
15	001194-45	Red Index - HW

Product Specifications:

Single Hole Deck Mount Mixing Faucet w/ Eterna Cartridges, Swivel Gooseneck w/ Stream Regulator Outlet, 4" Wrist Action Handles, & 18" Stainless Steel Supply Hoses w/ 1/2" NPSM Male Inlets

Drawn

JRM

Checked

DHL

Approved

JHB

Scale:

NTS

Date:

06/05/15