



T&S BRASS AND BRONZE WORKS, INC.
 2 Saddleback Cove / P.O. Box 1088
 Travelers Rest, SC 29690

Model No.
B-0305-03

Item No.

Travelers Rest, SC: 800-476-4103 • Simi Valley, CA: 800-423-0150 • Fax: 864-834-3518 • www.tsbrass.com



ADA Compliant

This Space for Architect/Engineer Approval

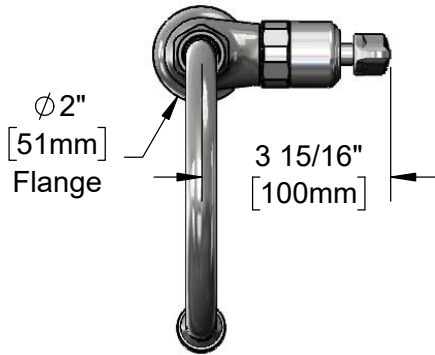
Job Name _____ Date _____

Model Specified _____ Quantity _____

Customer/Wholesaler _____

Contractor _____

Architect/Engineer _____



Ø 2"
[51mm]
Flange

3 15/16"
[100mm]

133X-V22
 5 3/4" Swivel Gooseneck
 w/ 2.2 GPM VR Aerator.
 Converts to Rigid w/
014200-45 Lock Washer
 (Included)

Self-Closing Metering
 Cartridge w/ Lever
 Handle, VR Handle
 Screw & Color Coded
 Index

2 5/8"
[67mm]

2 7/16"
[62mm]

(2) Anti-Rotation
 Screws

1/2" NPSM
 Male Inlet

Rough-In Requirement:
 Ø 1" [25mm] Mounting Hole



5 3/4"
[145mm]

9 1/2"
[242mm]

14"
[355mm]

Mounting
 Surface

150A
 Optional Tailpiece
 & Nut for 1/4" NPT
 Connection (Included)

1 5/8"
[41mm]
 Maximum
 Thickness

Anti-Rotation Screws
 May Be Inserted in Any
 2 of 4 Positions of
 Ø 1/4" Holes in Deck

1 1/4"
[32mm]
 Typ.

5/8"
[16mm]
 Typ.

Product Specifications:

Single Hole Single Temperature Deck Mount Faucet w/ Anti-Rotation Pins,
 Self-Closing Metering Cartridge, Lever Handle w/ VR Handle Screw,
 5 3/4" Swivel/Rigid Gooseneck, 2.2 GPM VR Aerator & 1/2" NPSM Male Inlet

Product Compliance:

ASME A112.18.1 / CSA B125.1
 NSF 61 - Section 9
 NSF 372 (Low Lead Content)
 ANSI A117.1 (ADA)

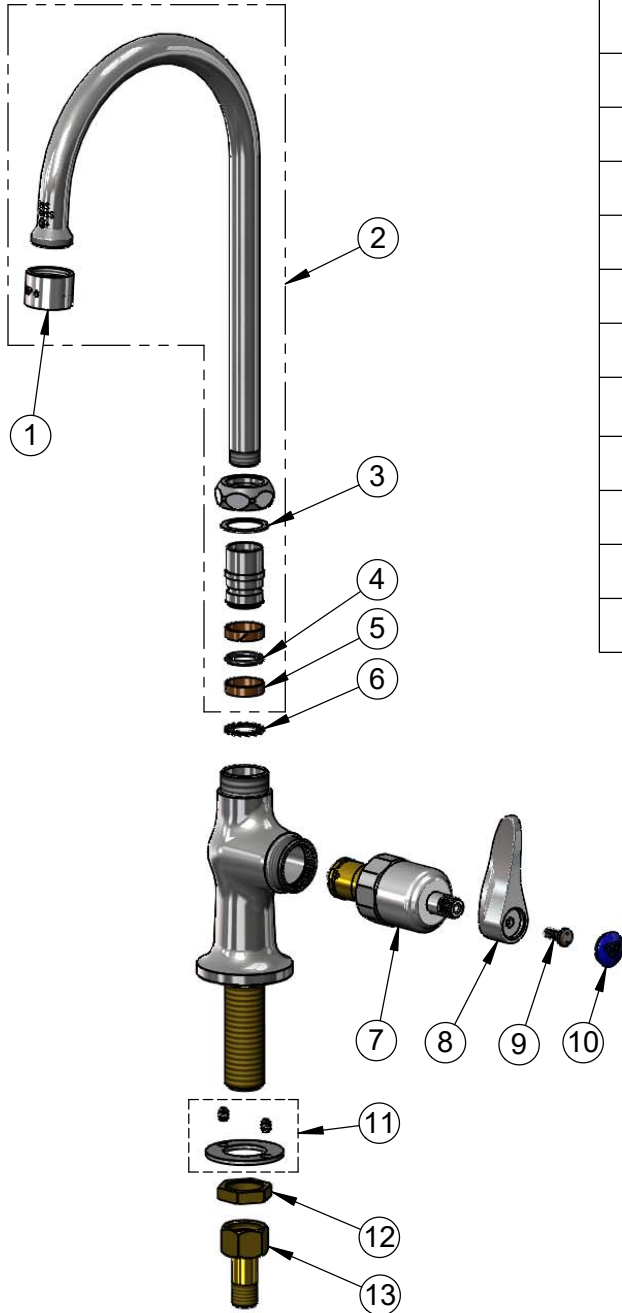


T&S BRASS AND BRONZE WORKS, INC.
 2 Saddleback Cove / P.O. Box 1088
 Travelers Rest, SC 29690

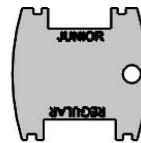
Model No.
B-0305-03

Item No.

Travelers Rest, SC: 800-476-4103 • Simi Valley, CA: 800-423-0150 • Fax: 864-834-3518 • www.tsbrass.com



ITEM NO.	SALES NO.	DESCRIPTION
1	B-0199-06	VR 2.2 GPM Aerator w/ Key
2	133X-V22	5 3/4" Swivel Gooseneck w/ 2.2 GPM VR Aerator & VR Key
3	009538-45	Swivel Washer
4	001074-45	O-Ring
5	011429-45	Swivel Sleeves (2)
6	014200-45	Star Washer, Anti-Rotation
7	012449-40	Wrist Action Metering Cartridge
8	001638-45NS	Lever Handle (New Style)
9	VRS-2	VR Wrist Action Handle Screw (2) w/ Spanner Bit
10	018506-19NS	Blue Button Index, Press-in
11	012698-45	Anti-Rotation Screw (2) & Washer
12	002954-45	Shank Lock Nut
13	150A	1/4" NPT Tailpiece & Nut



015425-45
VR Aerator Key



014075-45
#10 Spanner Bit

Product Specifications:

Single Hole Single Temperature Deck Mount Faucet w/ Anti-Rotation Pins, Self-Closing Metering Cartridge, Lever Handle w/ VR Handle Screw, 5 3/4" Swivel/Rigid Gooseneck, 2.2 GPM VR Aerator & 1/2" NPSM Male Inlet

Product Compliance:

ASME A112.18.1 / CSA B125.1
 NSF 61 - Section 9
 NSF 372 (Low Lead Content)
 ANSI A117.1 (ADA)