



T&S BRASS AND BRONZE WORKS, INC.
 2 Saddleback Cove / P.O. Box 1088
 Travelers Rest, SC 29690

Model No.
B-0353-04

Item No.

Travelers Rest, SC: 800-476-4103 • Simi Valley, CA: 800-423-0150 • Fax: 864-834-3518 • www.tsbrass.com



ADA Compliant

This Space for Architect/Engineer Approval

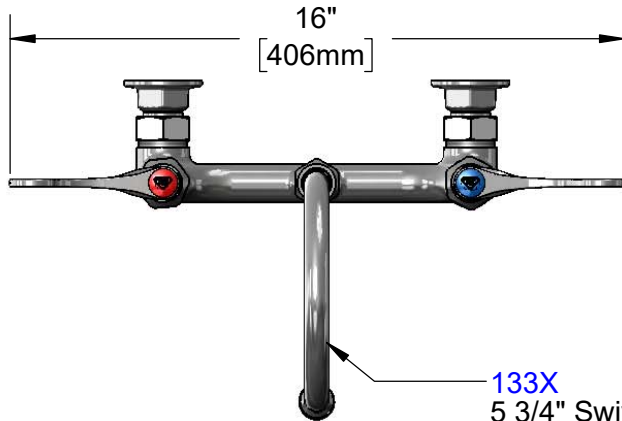
Job Name _____ Date _____

Model Specified _____ Quantity _____

Customer/Wholesaler _____

Contractor _____

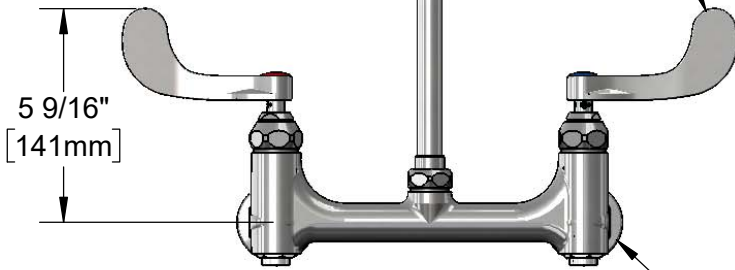
Architect/Engineer _____



133X
 5 3/4" Swivel Gooseneck w/
 Stream Regulator Out.
 Rigid Conversion Requires
014200-45
 Lock Washer (Included)



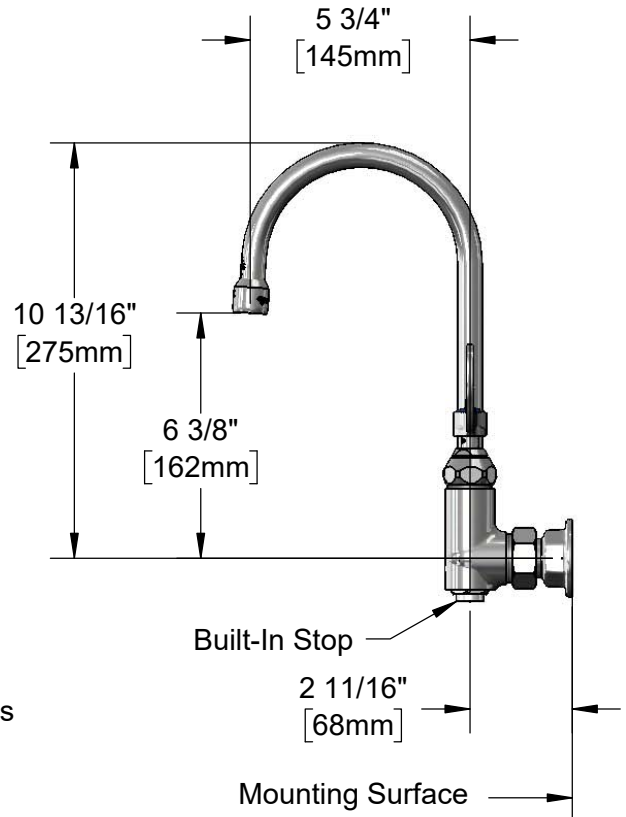
Quarter-Turn
 Eterna Cartridges w/
 Spring Checks &
 4" Wrist Action Handles w/
 Color Coded Indexes



5 9/16"
 [141mm]

8"
 [203mm]
 Adjustable From
 7 3/4" to 8 1/4"
 [197mm to 210mm]

Ø 2" [51mm]
 Flanges w/
 1/2" NPT
 Female Inlets



5 3/4"
 [145mm]

10 13/16"
 [275mm]

6 3/8"
 [162mm]

Built-In Stop
 2 11/16"
 [68mm]

Mounting Surface

Product Specifications:

8" Wall Mount Mixing Faucet, Quarter-Turn Eterna Cartridges w/ Spring Checks, 4" Wrist Action Handles, 5 3/4" Swivel/Rigid Gooseneck w/ Stream Regulator Outlet, Built-In Stops & 1/2" NPT Female Inlets

Product Compliance:

ASME A112.18.1 / CSA B125.1
 NSF 61 - Section 9
 NSF 372 (Low Lead Content)
 ANSI A117.1 (ADA)



T&S BRASS AND BRONZE WORKS, INC.

2 Saddleback Cove / P.O. Box 1088
Travelers Rest, SC 29690

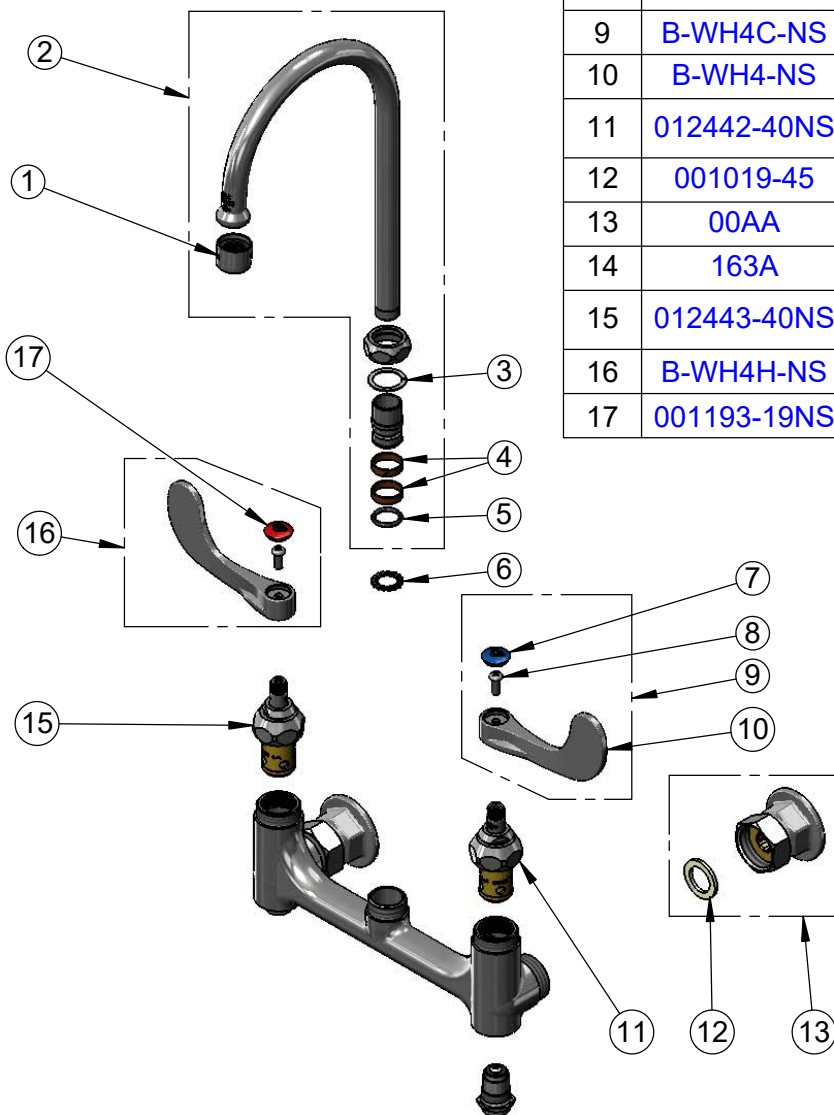
Model No.

B-0353-04

Item No.

Travelers Rest, SC: 800-476-4103 • Simi Valley, CA: 800-423-0150 • Fax: 864-834-3518 • www.tsbrass.com

ITEM NO.	SALES NO.	DESCRIPTION
1	B-PT	Full Flow Stream Regulator, 55/64-27
2	133X	5 3/4" Swivel Gooseneck w/ Stream Regulator Outlet
3	009538-45	Swivel Washer
4	011429-45	Swivel Sleeves (2)
5	001074-45	O-Ring
6	014200-45	Star Washer, Anti-Rotation
7	018506-19NS	Blue Button Index, Press-in
8	000925-45	Lab Handle Screw
9	B-WH4C-NS	4" Wrist Action Handle, Blue Index & Screw
10	B-WH4-NS	Wrist Action Handle (New Style)
11	012442-40NS	Quarter-Turn Eterna Cartridge w/ Spring Check, LTC
12	001019-45	Coupling Nut Washer
13	00AA	1/2" NPT Female Eccentric Flange
14	163A	Built-in Service Stop
15	012443-40NS	Quarter-Turn Eterna Cartridge w/ Spring Check, RTC
16	B-WH4H-NS	4" Wrist Action Handle, Blue Index & Screw
17	001193-19NS	Red Button Index, Press-in



Product Specifications:

8" Wall Mount Mixing Faucet, Quarter-Turn Eterna Cartridges w/ Spring Checks, 4" Wrist Action Handles, 5 3/4" Swivel/Rigid Gooseneck w/ Stream Regulator Outlet, Built-In Stops & 1/2" NPT Female Inlets

Product Compliance:

ASME A112.18.1 / CSA B125.1
NSF 61 - Section 9
NSF 372 (Low Lead Content)
ANSI A117.1 (ADA)