



# T&S BRASS AND BRONZE WORKS, INC.

2 Saddleback Cove / P.O. Box 1088  
Travelers Rest, SC 29690

Model No.

**B-0363**

Item No.

Travelers Rest, SC: 800-476-4103 • Simi Valley, CA: 800-423-0150 • Fax: 864-834-3518 • www.tsbrass.com



**ADA Compliant**

This Space for Architect/Engineer Approval

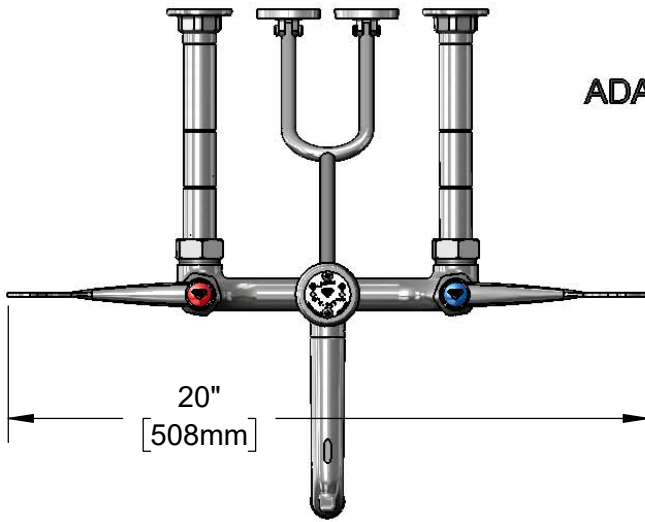
Job Name \_\_\_\_\_ Date \_\_\_\_\_

Model Specified \_\_\_\_\_ Quantity \_\_\_\_\_

Customer/Wholesaler \_\_\_\_\_

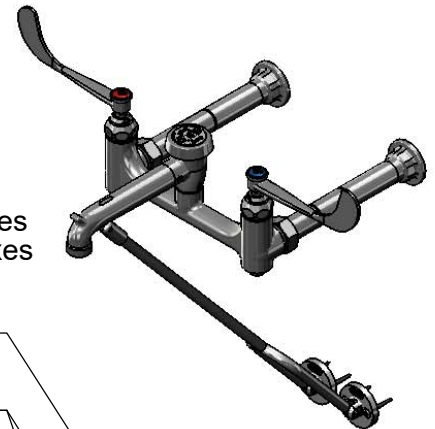
Contractor \_\_\_\_\_

Architect/Engineer \_\_\_\_\_



20"  
[508mm]

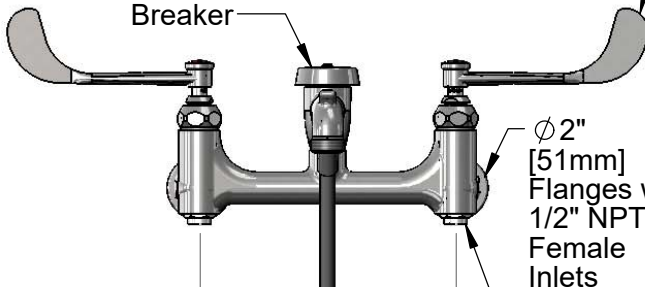
Quarter-Turn Eterna Cartridges w/ Spring Checks & 6" Wrist Action Handles w/ Color Coded Indexes



000610-25  
Extension

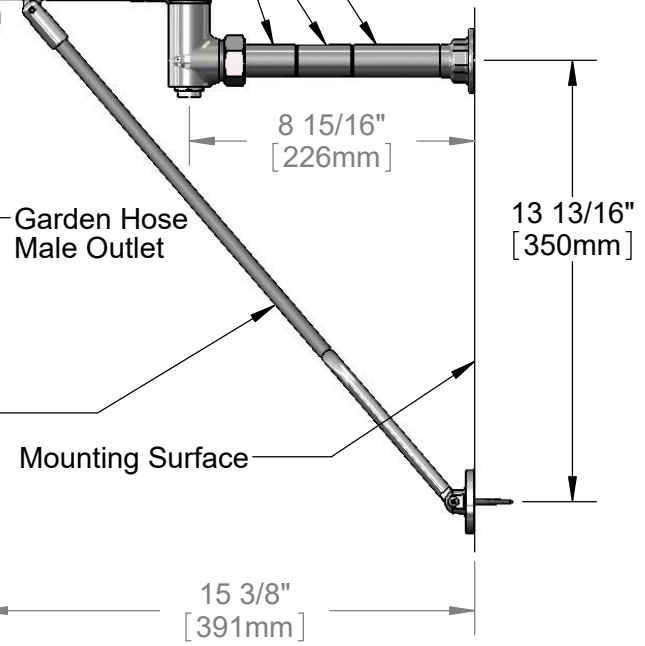
000611-25  
Extension

B-0969  
1/2" NPT  
Vacuum  
Breaker



Ø2"  
[51mm]  
Flanges w/  
1/2" NPT  
Female  
Inlets

Built-In  
Screwdriver  
Service  
Stops



8 15/16"  
[226mm]

Garden Hose  
Male Outlet

13 13/16"  
[350mm]

Mounting Surface

15 3/8"  
[391mm]

2 7/16"  
[62mm]

Lower Wall Brace  
w/ Wall Bracket &  
Mounting Screws

8"  
[203mm]  
Adjustable from  
7 3/4" to 8 1/4"  
[197mm to 210mm]

**Product Specifications:**  
8" Service Sink w/ Pail Hook, Quarter-Turn Eterna Cartridges w/ Spring Checks, 6" Wrist Action Handles, 1/2" NPT Vacuum Breaker, Garden Hose Male Outlet, Built-In Service Stops, Lower Wall Brace & 1/2" NPT Female Inlets w/ Extensions

**Product Compliance:**  
ASME A112.18.1 / CSA B125.1  
NSF 61 - Section 9  
NSF 372 (Low Lead Content)  
ANSI A117.1 (ADA)  
ASSE 1001 (VB)



# T&S BRASS AND BRONZE WORKS, INC.

2 Saddleback Cove / P.O. Box 1088  
Travelers Rest, SC 29690

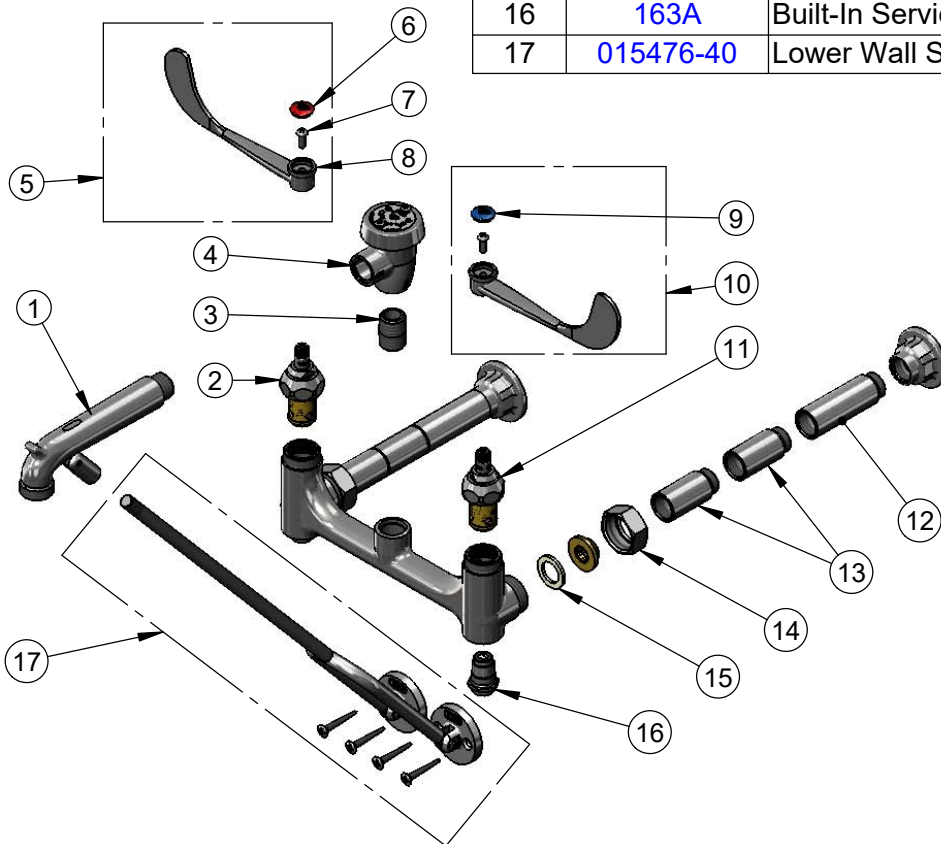
Model No.

**B-0363**

Item No.

Travelers Rest, SC: 800-476-4103 • Simi Valley, CA: 800-423-0150 • Fax: 864-834-3518 • www.tsbrass.com

ITEM NO.	SALES NO.	DESCRIPTION
1	016450-40	Spout, Polished Chrome w/ Bottom Support Clevis
2	012443-40NS	Quarter-Turn Eterna Cartridge w/ Spring Check, RTC
3	002534-25	Close Nipple, 1/2" NPT
4	B-0969	1/2" NPT Vacuum Breaker
5	B-WH6H-NS	6" Wrist Action Handle, Red Index & Screw
6	001193-19NS	Red Button Index, Press-in
7	000925-45	Lab Handle Screw
8	B-WH6	6" Wrist Action Handle
9	018506-19NS	Blue Button Index, Press-in
10	B-WH6C-NS	6" Wrist Action Handle, Blue Index & Screw
11	012442-40NS	Quarter-Turn Eterna Cartridge w/ Spring Check, LTC
12	000610-25	1/2" x 2 3/4" Extension
13	000611-25	1/2" x 1 3/4" Extension
14	000721-25	Flange Coupling Nut
15	001019-45	Coupling Nut Washer
16	163A	Built-In Service Stop
17	015476-40	Lower Wall Support w/ Mounting Screws



**Product Specifications:**

8" Service Sink w/ Pail Hook, Quarter-Turn Eterna Cartridges w/ Spring Checks, 6" Wrist Action Handles, 1/2" NPT Vacuum Breaker, Garden Hose Male Outlet, Built-In Service Stops, Lower Wall Brace & 1/2" NPT Female Inlets w/ Extensions

**Product Compliance:**

ASME A112.18.1 / CSA B125.1  
NSF 61 - Section 9  
NSF 372 (Low Lead Content)  
ANSI A117.1 (ADA)  
ASSE 1001 (VB)