



# T&S BRASS AND BRONZE WORKS, INC.

2 Saddleback Cove / P.O. Box 1088  
Travelers Rest, SC 29690

Model No.

**B-0409-03**

Item No.

Travelers Rest, SC: 800-476-4103 • Simi Valley, CA: 800-423-0150 • Fax: 864-834-3518 • www.tsbrass.com

This Space for Architect/Engineer Approval

Job Name \_\_\_\_\_ Date \_\_\_\_\_

Model Specified \_\_\_\_\_ Quantity \_\_\_\_\_

Customer/Wholesaler \_\_\_\_\_

Contractor \_\_\_\_\_

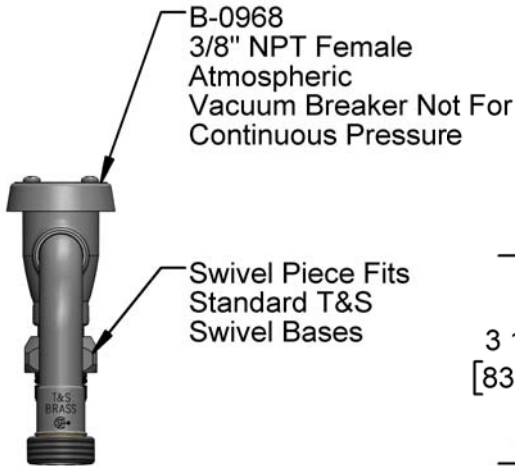
Architect/Engineer \_\_\_\_\_



Ø 1 11/16"  
[43mm]

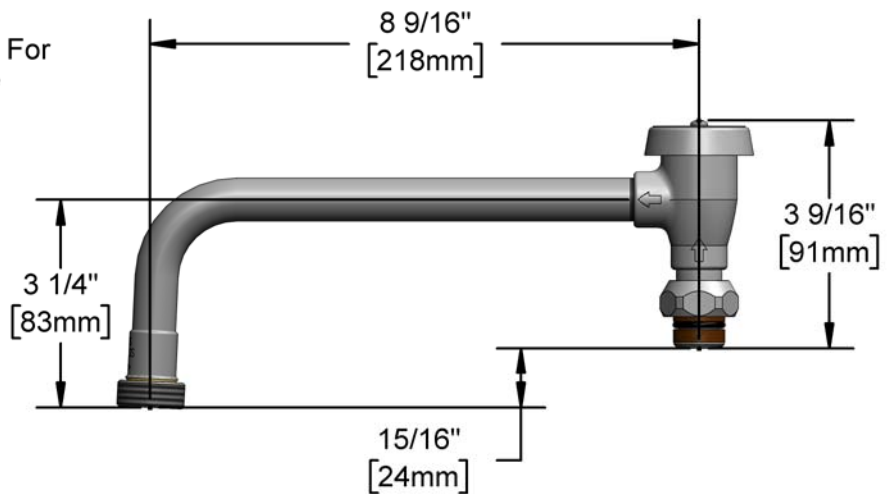


9" Swing Nozzle w/  
B-GH  
Garden Hose  
Adapter Outlet



B-0968  
3/8" NPT Female  
Atmospheric  
Vacuum Breaker Not For  
Continuous Pressure

Swivel Piece Fits  
Standard T&S  
Swivel Bases



**Product Specifications:**

Vacuum Breaker Swing Nozzle, Garden Hose Adapter Outlet and Swivel Base Inlet

**Product Compliance:**

ASME A112.18.1 / CSA B125.1  
NSF 61 - Section 9  
NSF 372 (Low Lead Content)  
ASSE 1001 (VB)



# T&S BRASS AND BRONZE WORKS, INC.

2 Saddleback Cove / P.O. Box 1088  
Travelers Rest, SC 29690

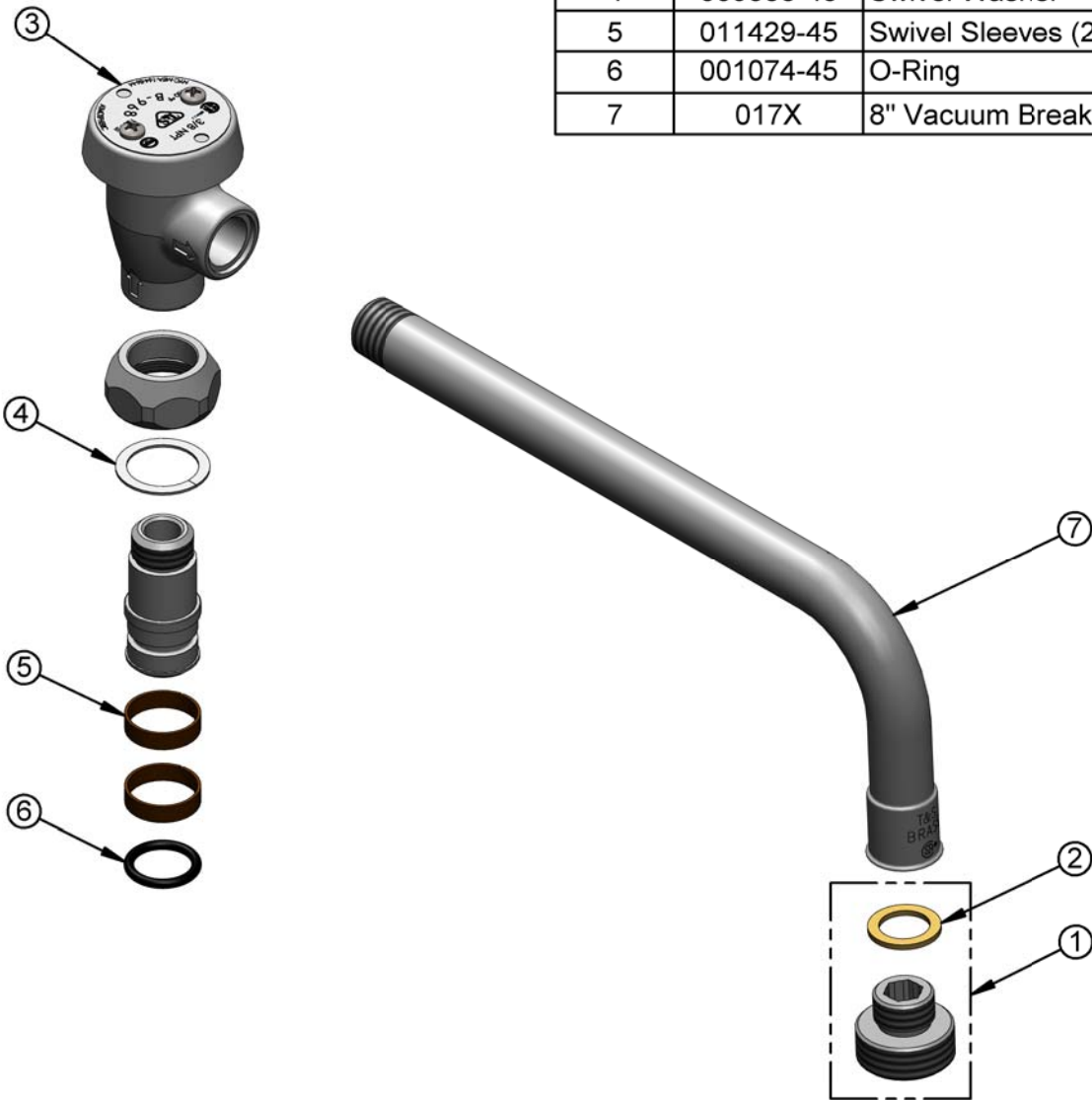
Model No.

**B-0409-03**

Item No.

Travelers Rest, SC: 800-476-4103 • Simi Valley, CA: 800-423-0150 • Fax: 864-834-3518 • www.tsbrass.com

| ITEM NO. | SALES NO. | DESCRIPTION                 |
|----------|-----------|-----------------------------|
| 1        | B-GH      | Adapter 3/4" GH X 3/8" NPSM |
| 2        | 001043-45 | Washer                      |
| 3        | B-0968    | 3/8" NPT Vacuum Breaker     |
| 4        | 009538-45 | Swivel Washer               |
| 5        | 011429-45 | Swivel Sleeves (2)          |
| 6        | 001074-45 | O-Ring                      |
| 7        | 017X      | 8" Vacuum Breaker Nozzle    |



**Product Specifications:**

Vacuum Breaker Swing Nozzle, Garden Hose Adapter Outlet and Swivel Base Inlet

**Product Compliance:**

ASME A112.18.1 / CSA B125.1  
NSF 61 - Section 9  
NSF 372 (Low Lead Content)  
ASSE 1001 (VB)