



T&S BRASS AND BRONZE WORKS, INC.

2 Saddleback Cove / P.O. Box 1088
Travelers Rest, SC 29690

Model No.

B-0490-01

Item No.

Travelers Rest, SC: 800-476-4103 • Simi Valley, CA: 800-423-0150 • Fax: 864-834-3518 • www.tsbrass.com



ADA Compliant

This Space for Architect/Engineer Approval

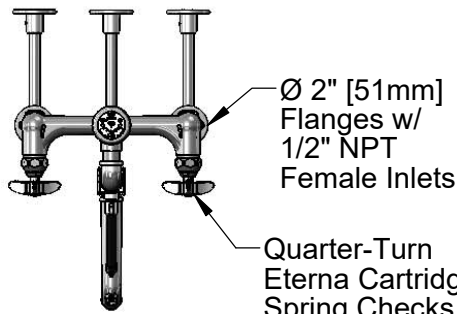
Job Name _____ Date _____

Model Specified _____ Quantity _____

Customer/Wholesaler _____

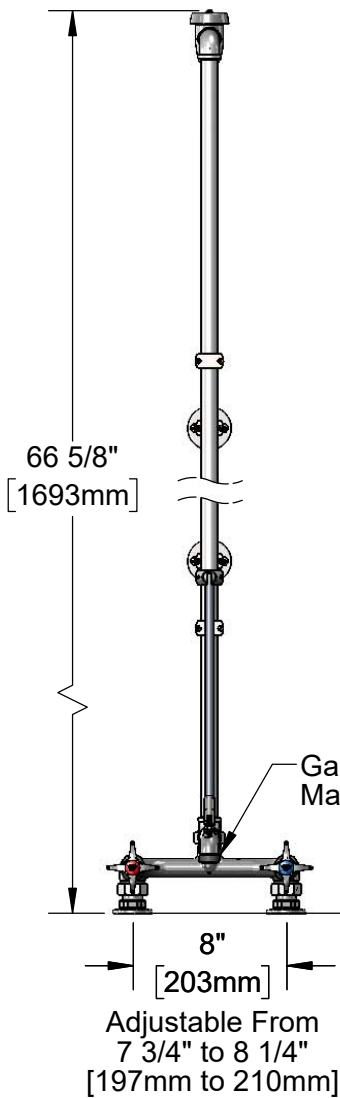
Contractor _____

Architect/Engineer _____

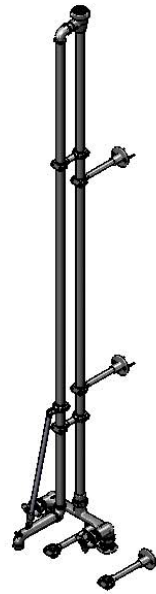


Ø 2" [51mm]
Flanges w/
1/2" NPT
Female Inlets

Quarter-Turn
Eterna Cartridge w/
Spring Checks &
4-Arm Handles w/
Color Coded Indexes



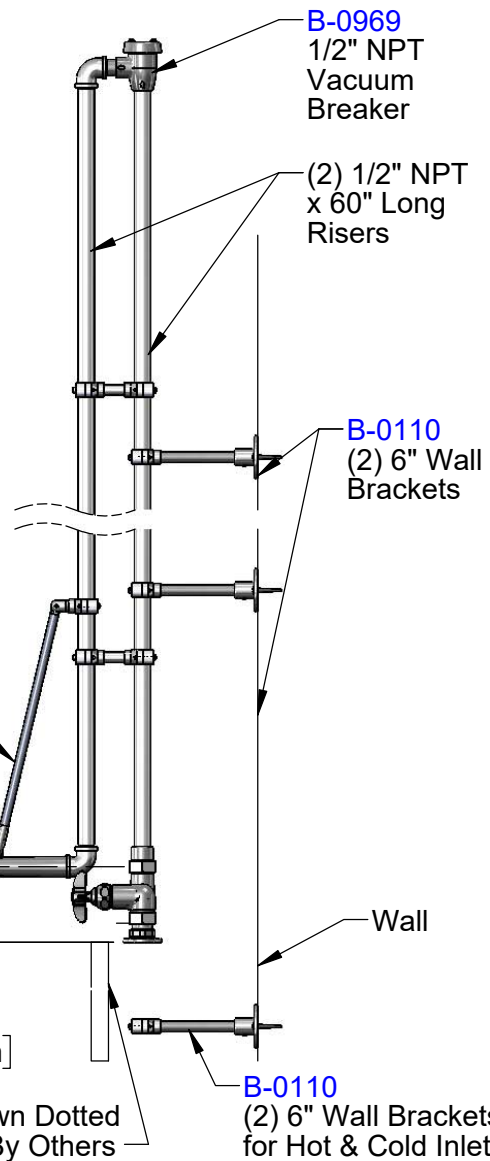
3 15/16"
[100mm]



Nozzle
Support
Bracket

2 5/8"
[67mm]

Piping Shown Dotted
Furnished By Others



Product Specifications:

8" Deck Mount Service Sink Mixing Faucet w/ Elevated Vacuum Breaker, 6" Wall Brackets, Braced Nozzle, Quarter-Turn Eterna Cartridges w/ Spring Checks & 4-Arm Handles

Product Compliance:

ASME A112.18.1 / CSA B125.1
NSF 61 - Section 9
NSF 372 (Low Lead Content)
ASSE 1001 (VB)
ANSI A117.1 (ADA)



T&S BRASS AND BRONZE WORKS, INC.

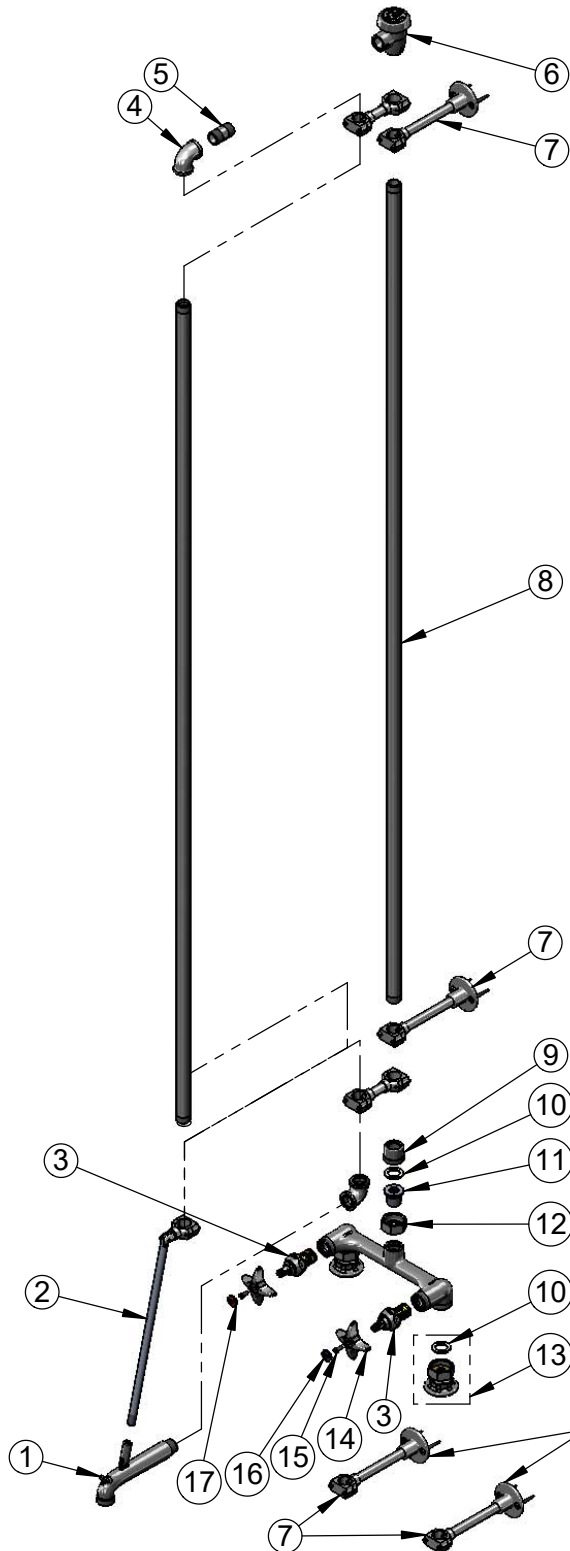
2 Saddleback Cove / P.O. Box 1088
Travelers Rest, SC 29690

Model No.

B-0490-01

Item No.

Travelers Rest, SC: 800-476-4103 • Simi Valley, CA: 800-423-0150 • Fax: 864-834-3518 • www.tsbrass.com



ITEM NO.	SALES NO.	DESCRIPTION
1	009545-40	Nozzle w/ Upper Clevis (Chrome Plated)
2	009541-40	Nozzle Upper Support
3	012443-40NS	Quarter-Turn Eterna Cartridge w/ Spring Check, RTC
4	001357-40	1/2" NPT Cast Round Elbow
5	001509-40	1/2" NPT x 1 1/2" Long Nipple
6	B-0969	1/2" NPT Vacuum Breaker
7	B-0110	6" Wall Bracket
8	001678-40	1/2" NPT x 60" Long Nipple
9	000870-40	Union, Male Half (Plated)
10	001019-45	Coupling Nut Washer
11	000688-25	Insert, 1/2 NPT Male Union
12	000721-25	Flange Coupling Nut
13	00AA	1/2" NPT Female Inlet Flange
14	002521-45NS	4-Arm Handle (New Style)
15	000925-45	Lab Handle Screw
16	018506-19NS	Blue Button Index, Press-in
17	001193-19NS	Red Button Index, Press-in

Wall Brackets for Hot & Cold Inlet Plumbing

Product Specifications:

8" Deck Mount Service Sink Mixing Faucet w/ Elevated Vacuum Breaker, 6" Wall Brackets, Braced Nozzle, Quarter-Turn Eterna Cartridges w/ Spring Checks & 4-Arm Handles

Product Compliance:

ASME A112.18.1 / CSA B125.1
NSF 61 - Section 9
NSF 372 (Low Lead Content)
ASSE 1001 (VB)
ANSI A117.1 (ADA)