



T&S BRASS AND BRONZE WORKS, INC.

2 Saddleback Cove / P.O. Box 1088
Travelers Rest, SC 29690

Model No.

B-0504-03SL

Item No.

Travelers Rest, SC: 800-476-4103 • Simi Valley, CA: 800-423-0150 • Fax: 864-834-3518 • www.tsbrass.com

This Space for Architect/Engineer Approval

Job Name _____ Date _____

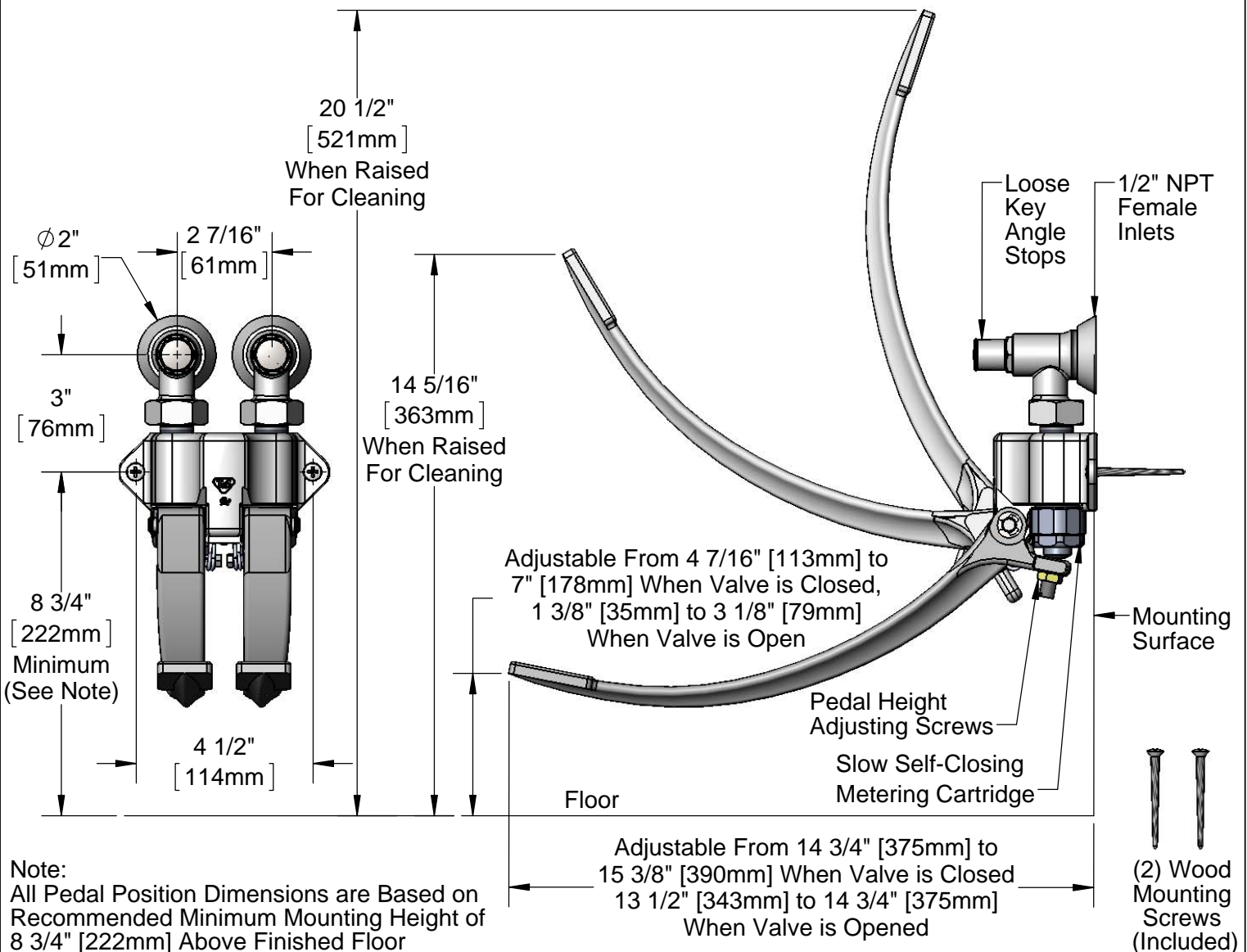
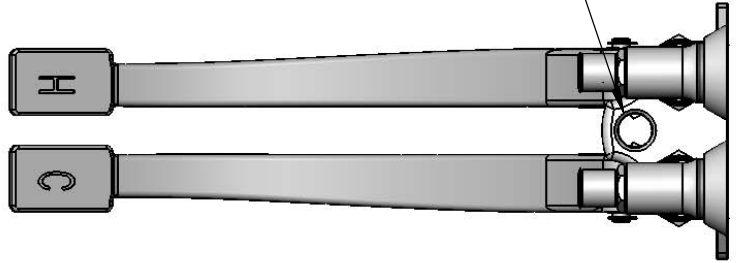
Model Specified _____ Quantity _____

Customer/Wholesaler _____

Contractor _____

Architect/Engineer _____

1/2" NPT Female Outlet



Note:
All Pedal Position Dimensions are Based on Recommended Minimum Mounting Height of $8 \frac{3}{4}"$ [222mm] Above Finished Floor

Product Specifications:
Double Pedal Valve w/ Metering Cartridges and Loose Key Angle Stops

Product Compliance:
ASME A112.18.1 / CSA B125.1
NSF 61 - Section 9
NSF 372 (Low Lead Content)
ASSE 1001 (VB)



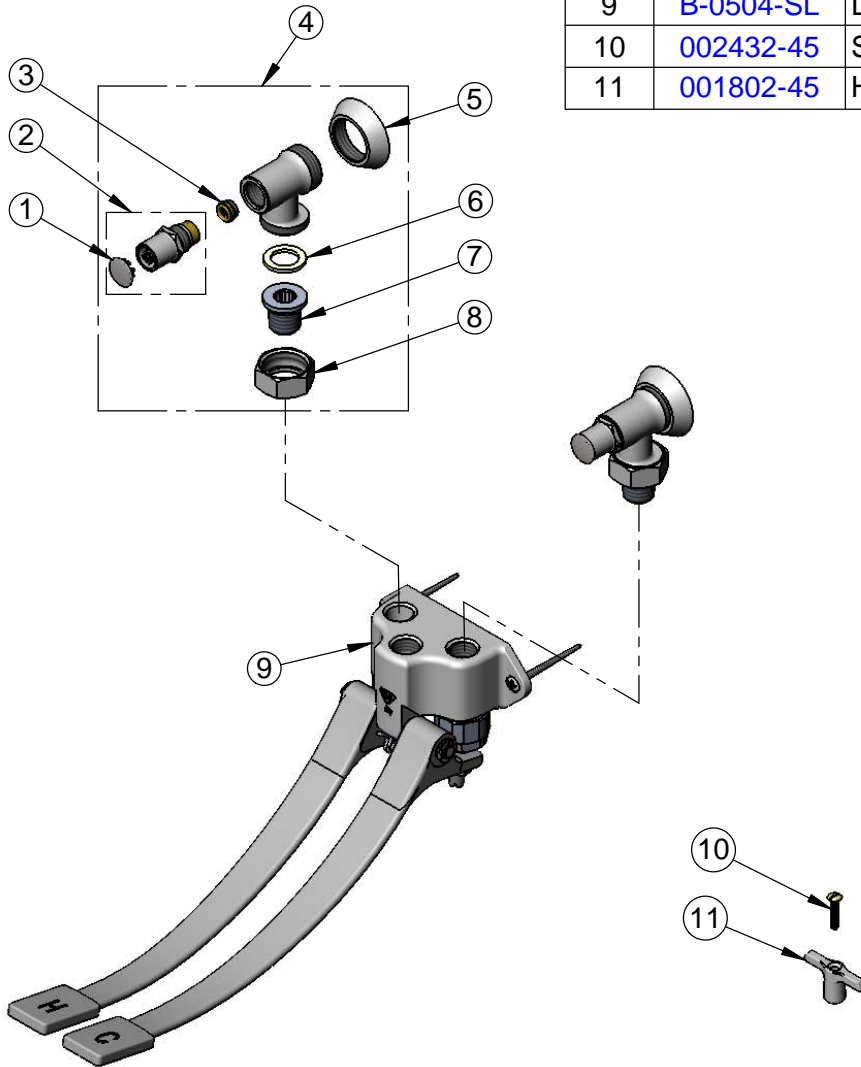
T&S BRASS AND BRONZE WORKS, INC.
 2 Saddleback Cove / P.O. Box 1088
 Travelers Rest, SC 29690

Model No.
B-0504-03SL

Item No.

Travelers Rest, SC: 800-476-4103 • Simi Valley, CA: 800-423-0150 • Fax: 864-834-3518 • www.tsbrass.com

ITEM NO.	SALES NO.	DESCRIPTION
1	001605-45	Cap
2	166A	Service Stop w/ Cap, T-Handle & Screw
3	000763-20	Seat
4	B-1350	Loose Key Angle Stop, 1/2" NPT
5	000101-40	Flange
6	001019-45	Coupling Nut Washer
7	000688-25	Insert, 1/2 NPT Male Union
8	000721-25	Flange Coupling Nut
9	B-0504-SL	Double Pedal Valve, Wall Mount
10	002432-45	Screw, Tee Handle
11	001802-45	Handle, Supply Stop "T"



Product Specifications:
 Double Pedal Valve w/ Metering Cartridges and Loose Key Angle Stops

Product Compliance:
 ASME A112.18.1 / CSA B125.1
 NSF 61 - Section 9
 NSF 372 (Low Lead Content)
 ASSE 1001 (VB)