



T&S BRASS AND BRONZE WORKS, INC.

2 Saddleback Cove / P.O. Box 1088
Travelers Rest, SC 29690

Model No.

B-0504

Item No.

Travelers Rest, SC: 800-476-4103 • Simi Valley, CA: 800-423-0150 • Fax: 864-834-3518 • www.tsbrass.com

This Space for Architect/Engineer Approval

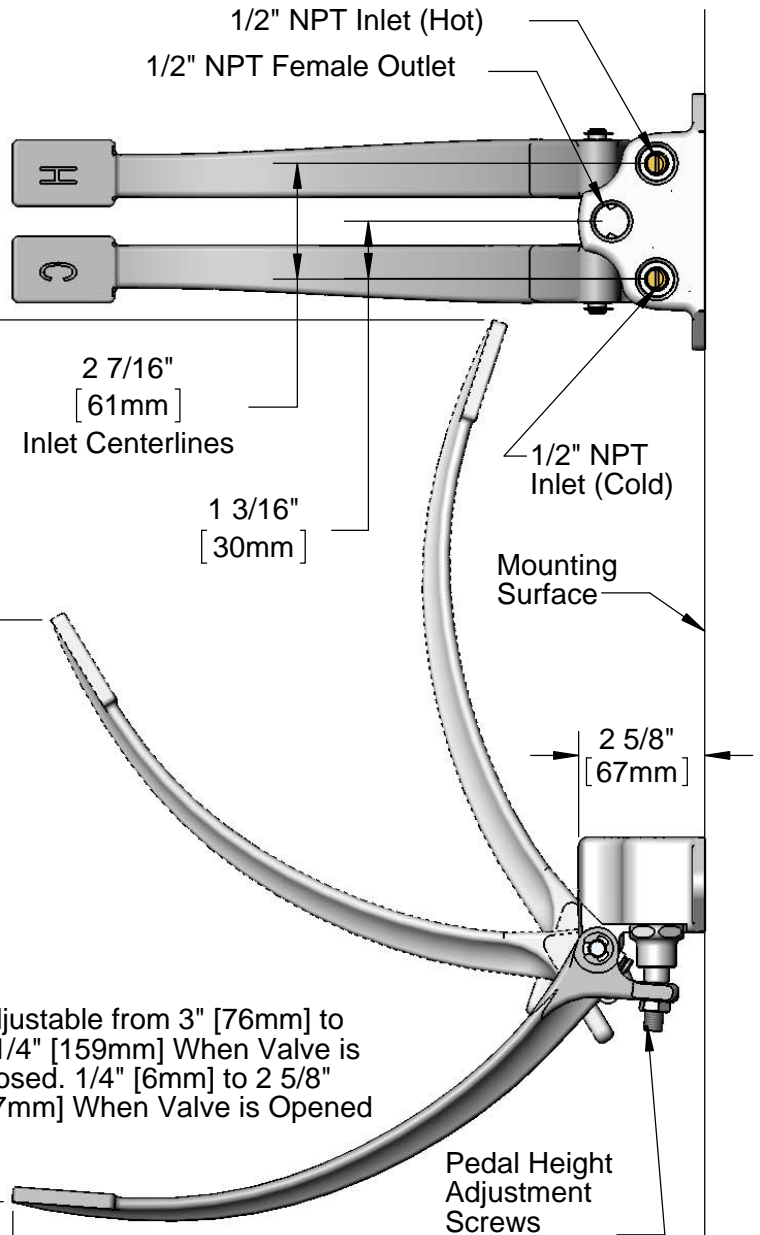
Job Name _____ Date _____

Model Specified _____ Quantity _____

Customer/Wholesaler _____

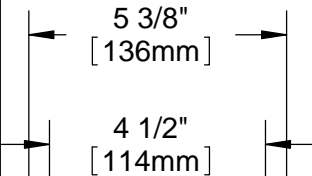
Contractor _____

Architect/Engineer _____



Furnished w/
Mounting Screws

20 1/2" [521mm]
Maximum



14 1/4" [362mm]

8 3/4" [222mm]
Minimum
[See Note]

Floor

Note:
All Pedal Position Dimensions are Based on a Recommended Minimum Mounting Height of 8 3/4" [222mm] Above Finished Floor

Adjustable from 14 3/4" [375mm] to 15 3/8" [390mm] When Valve is Closed.
13 1/2" [343mm] to 14 3/4" [375mm] When Valve is Opened

Product Specifications:
Double Pedal Valve

Product Compliance:
ASME A112.18.1 / CSA B125.1
NSF 61 - Section 9
NSF 372 (Low Lead Content)



T&S BRASS AND BRONZE WORKS, INC.

2 Saddleback Cove / P.O. Box 1088
Travelers Rest, SC 29690

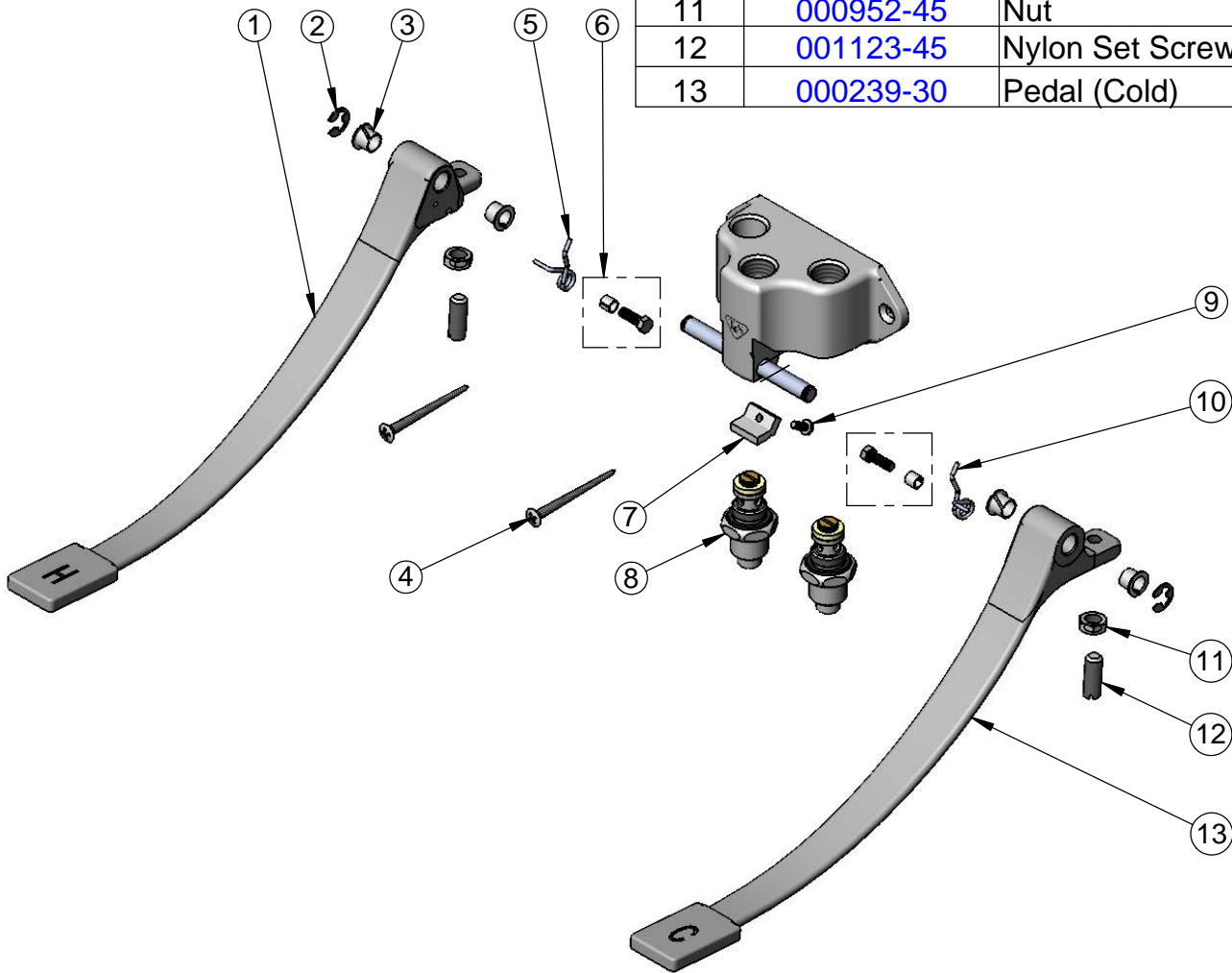
Model No.

B-0504

Item No.

Travelers Rest, SC: 800-476-4103 • Simi Valley, CA: 800-423-0150 • Fax: 864-834-3518 • www.tsbrass.com

| ITEM NO. | SALES NO. | DESCRIPTION |
|----------|-----------|------------------------------|
| 1 | 000240-30 | Pedal (Hot) |
| 2 | 012512-45 | E-clip Retaining Ring |
| 3 | 001602-45 | Bushing, Pedal Valve |
| 4 | 003749-45 | Foot Pedal Mtg. Screw |
| 5 | 000886-45 | Spring, LH (Hot Pedal) |
| 6 | 001483-25 | Screw & Spacer, Pedal Spring |
| 7 | 012513-10 | Pad |
| 8 | 005312-40 | Bonnet |
| 9 | 012523-45 | Screw |
| 10 | 000887-45 | Spring, RH (Cold Pedal) |
| 11 | 000952-45 | Nut |
| 12 | 001123-45 | Nylon Set Screw |
| 13 | 000239-30 | Pedal (Cold) |



Product Specifications:
Double Pedal Valve

Product Compliance:

ASME A112.18.1 / CSA B125.1
NSF 61 - Section 9
NSF 372 (Low Lead Content)