



T&S BRASS AND BRONZE WORKS, INC.

2 Saddleback Cove / P.O. Box 1088
Travelers Rest, SC 29690

Model No.

B-0512-0101

Item No.

Travelers Rest, SC: 800-476-4103 • Simi Valley, CA: 800-423-0150 • Fax: 864-834-3518 • www.tsbrass.com

This Space for Architect/Engineer Approval

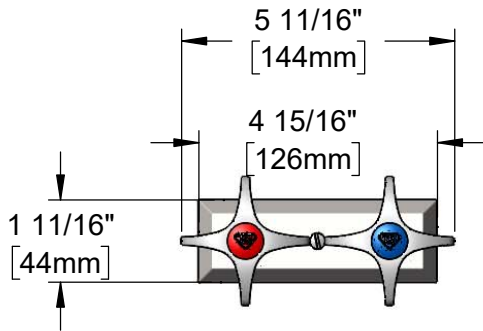
Job Name _____ Date _____

Model Specified _____ Quantity _____

Customer/Wholesaler _____

Contractor _____

Architect/Engineer _____



Spray Valve w/
2.2 GPM
Rosespray Outlet

Quarter-Turn
Eterna Cartridges w/
Spring Checks &
4-Arm Handles w/
Color Coded Indexes

B-KG
Protective Flange

Mounting
Surface

3/4"
[19mm]

Items Not Shown
for Clarity

3/16"
[5mm]
Maximum
Thickness

013E-72H
72" Flexible Stainless Steel
Hose w/ Polyurethane
Inner Hose

Note: Direction of Arrow on
Vacuum Breaker Before
Installation with LocTite

B-0512
Mixing Faucet

3/8" NPT
Close
Nipple

B-0970-FE
Vacuum Breaker

053A
Adapter

Apply LocTite
680 on Pipe
Threads
(Included)

Ø 1 3/4"
[44mm]

Rough-In Requirement:
(2) Ø 1 9/16" [40mm] Faucet Mounting Holes
Ø 1 9/16" [40mm] for **B-KG** Protective Flange
Ø 1/4" [6mm] Center Mounting Screw

Product Specifications:

3" Concealed Mixing Faucet w/ 4-Arm Handles, Vacuum Breaker, Protective Flange, 72" Flexible Stainless Steel Hose & Spray Valve w/ 2.2 GPM Rosespray Outlet w/ Multi-Laminar (Non-Aerated) Spray Pattern

Product Compliance:

ASME A112.18.1 / CSA B125.1
NSF 61 - Section 9
NSF 372 (Low Lead Content)
CSA B64.8 (VB)

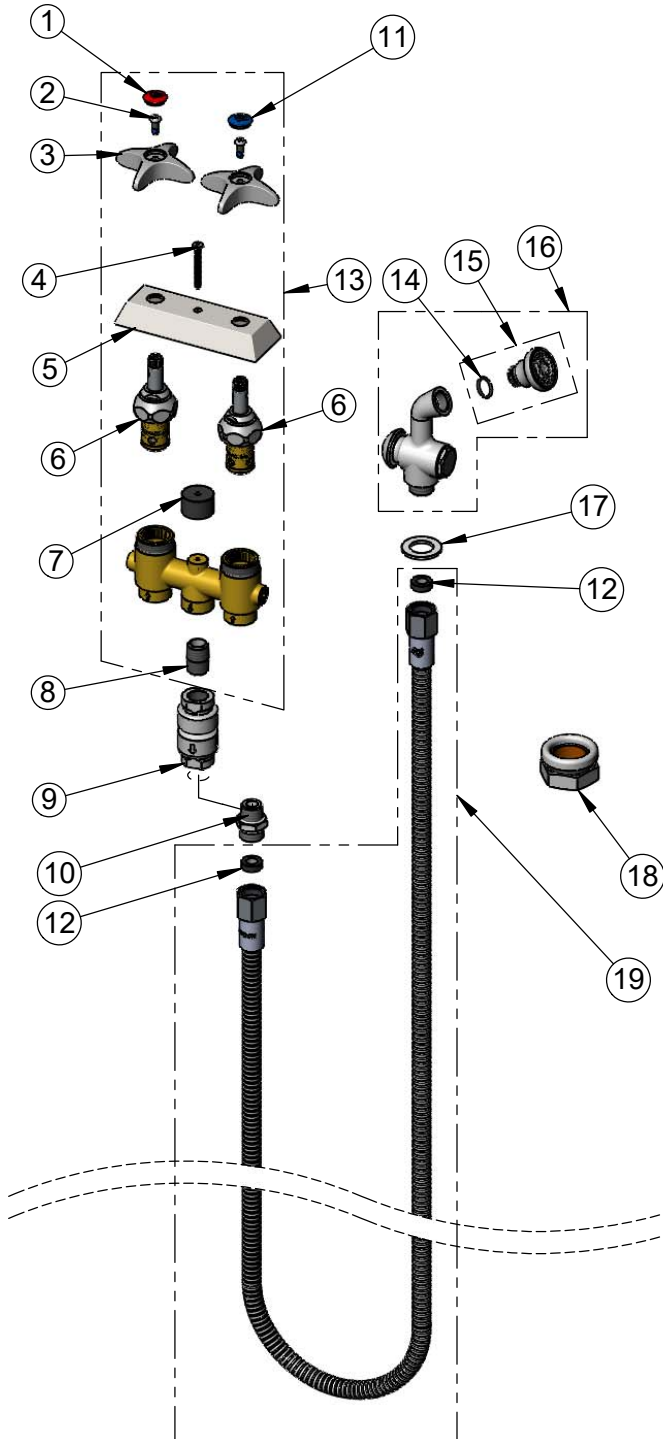


T&S BRASS AND BRONZE WORKS, INC.
 2 Saddleback Cove / P.O. Box 1088
 Travelers Rest, SC 29690

Model No.
B-0512-0101

Item No.

Travelers Rest, SC: 800-476-4103 • Simi Valley, CA: 800-423-0150 • Fax: 864-834-3518 • www.tsbrass.com



ITEM NO.	SALES NO.	DESCRIPTION
1	001193-19NS	Red Button Index, Press-in
2	000925-45	Lab Handle Screw
3	002521-45NS	4-Arm Handle (New Style)
4	002819-45	Screw
5	000020-40	Escutcheon
6	006020-40NS	Quarter-Turn Long Spindle Eterna Cartridge w/ Spring Check, RTC
7	015986-45	Spacer
8	002535-25	3/8" Close Nipple
9	B-0970-FE	Dual Check Valve Vacuum Breaker
10	053A	Adapter, 3/8" NPT x 3/4-14UN
11	018506-19NS	Blue Button Index, Press-in
12	010476-45	#27 Washer
13	B-0512	Concealed Mixing Faucet
14	006575-45	-015 O-Ring
15	B-0103	2.2 GPM Rosespray, 3/8-18 NPT Male
16	002857-40	Spray Valve w/ 2.2 GPM Rosespray Outlet
17	001010-40	Washer, Stainless Steel
18	B-KG	Protective Flange
19	013E-72H	72" Flexible Stainless Steel Hose

Product Specifications:
 3" Concealed Mixing Faucet w/ 4-Arm Handles, Vacuum Breaker, Protective Flange, 72" Flexible Stainless Steel Hose & Spray Valve w/ 2.2 GPM Rosespray Outlet w/ Multi-Laminar (Non-Aerated) Spray Pattern

Product Compliance:
 ASME A112.18.1 / CSA B125.1
 NSF 61 - Section 9
 NSF 372 (Low Lead Content)
 CSA B64.8 (VB)