



T&S BRASS AND BRONZE WORKS, INC.

2 Saddleback Cove / P.O. Box 1088
Travelers Rest, SC 29690

Model No.

B-0527

Item No.

Travelers Rest, SC: 800-476-4103 • Simi Valley, CA: 800-423-0150 • Fax: 864-834-3518 • www.tsbrass.com

This Space for Architect/Engineer Approval

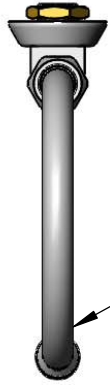
Job Name _____ Date _____

Model Specified _____ Quantity _____

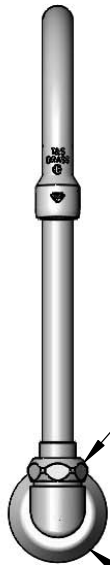
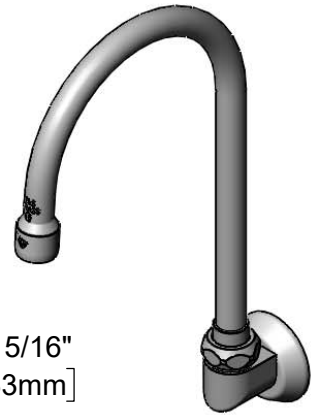
Customer/Wholesaler _____

Contractor _____

Architect/Engineer _____

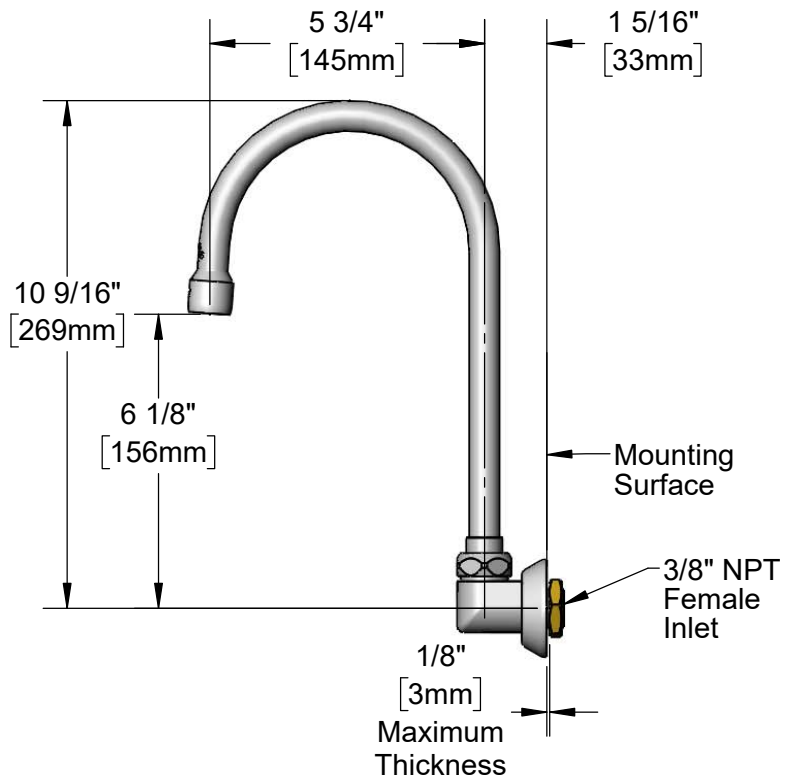


Swivel Gooseneck
B-0199-01
w/ 2.2 GPM Aerator



Swivel Piece

Ø 2" [51mm]
Flange



Rough-In Requirement:
Ø 1" [25mm] Mounting Hole

Product Specifications:

Wall Mount Dummy Swivel Gooseneck w/ 2.2 GPM aerator & 3/8" NPT Female Inlet

Product Compliance:

ASME A112.18.1 / CSA B125.1
NSF 61 - Section 9
NSF 372 (Low Lead Content)



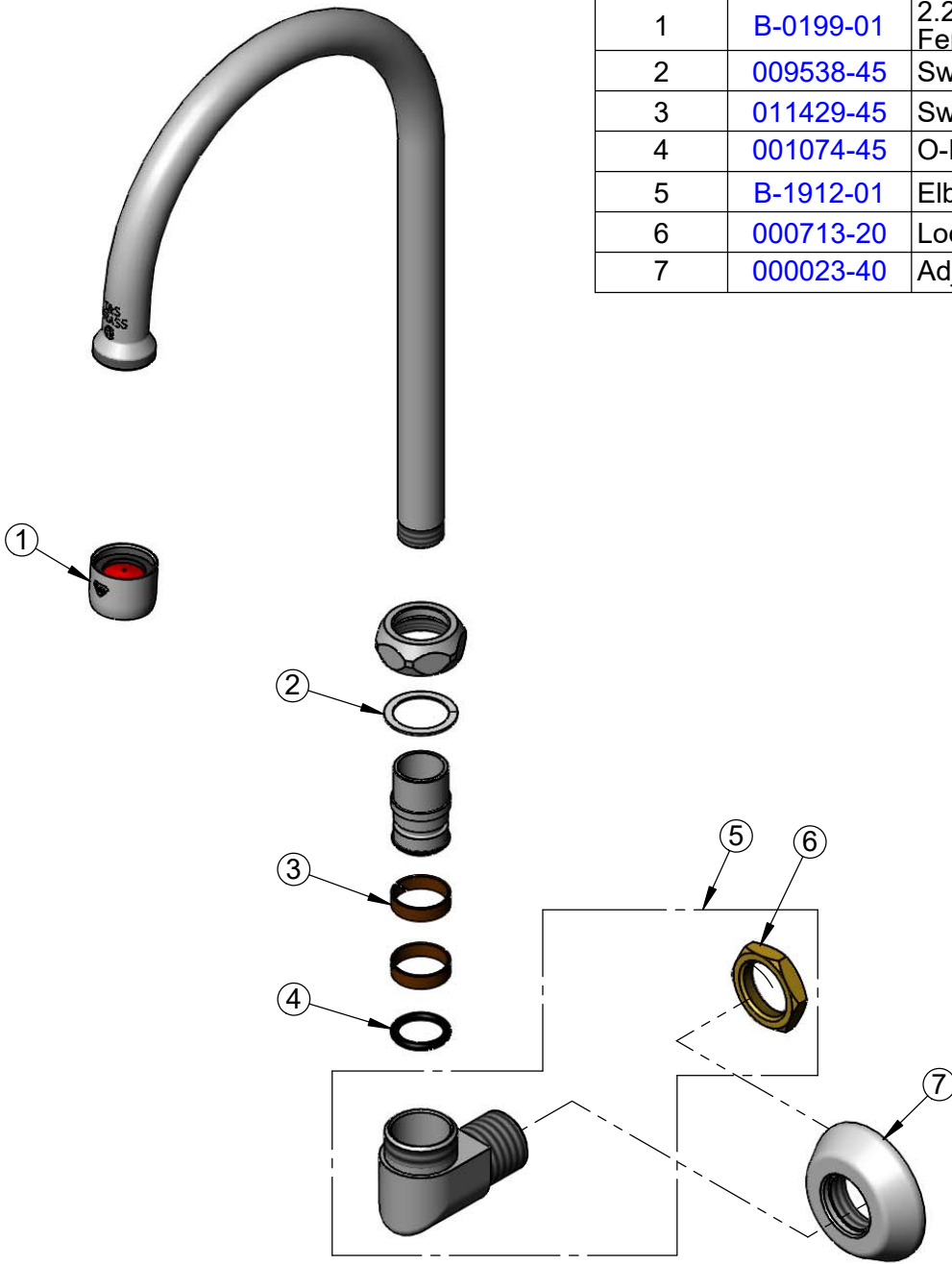
T&S BRASS AND BRONZE WORKS, INC.
 2 Saddleback Cove / P.O. Box 1088
 Travelers Rest, SC 29690

Model No.
B-0527

Item No.

Travelers Rest, SC: 800-476-4103 • Simi Valley, CA: 800-423-0150 • Fax: 864-834-3518 • www.tsbrass.com

ITEM NO.	SALES NO.	DESCRIPTION
1	B-0199-01	2.2 GPM Aerator, 55/64-27 UN Female
2	009538-45	Swivel Washer
3	011429-45	Swivel Sleeves (2)
4	001074-45	O-Ring
5	B-1912-01	Elbow & Shank Nut, Swivel Outlet
6	000713-20	Lock Nut
7	000023-40	Adjustable Wall Flange



Product Specifications:
 Wall Mount Dummy Swivel Gooseneck w/ 2.2 GPM aerator & 3/8" NPT Female Inlet

Product Compliance:
 ASME A112.18.1 / CSA B125.1
 NSF 61 - Section 9
 NSF 372 (Low Lead Content)