



T&S BRASS AND BRONZE WORKS, INC.

2 Saddleback Cove / P.O. Box 1088
Travelers Rest, SC 29690

Model No.

B-0546

Item No.

Travelers Rest, SC: 800-476-4103 • Simi Valley, CA: 800-423-0150 • Fax: 864-834-3518 • www.tsbrass.com

This Space for Architect/Engineer Approval

Job Name _____ Date _____

Model Specified _____ Quantity _____

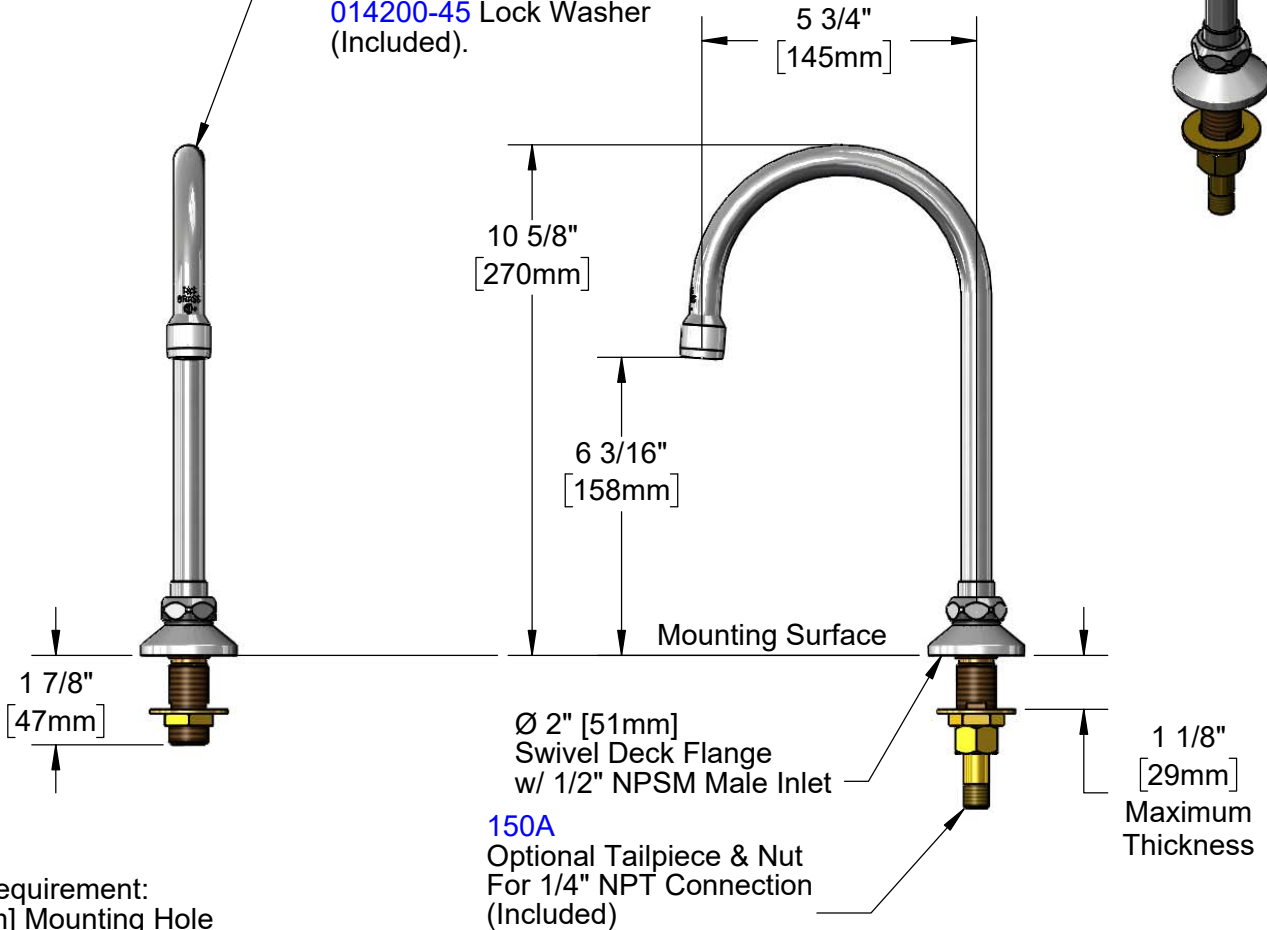
Customer/Wholesaler _____

Contractor _____

Architect/Engineer _____



133X-LAM
5 3/4" Swivel Gooseneck w/
2.2 GPM Laminar
Flow Device.
Rigid Conversion Requires
014200-45 Lock Washer
(Included).



Rough-In Requirement:
Ø 1" [25mm] Mounting Hole

Product Specifications:

Dummy Gooseneck: Rigid/Swivel 5 3/4" Gooseneck w/ 2.2 GPM Laminar Flow Device & 1/2" NPSM Male Inlet

Product Compliance:

ASME A112.18.1 / CSA B125.1
NSF 61 - Section 9
NSF 372 (Low Lead Content)

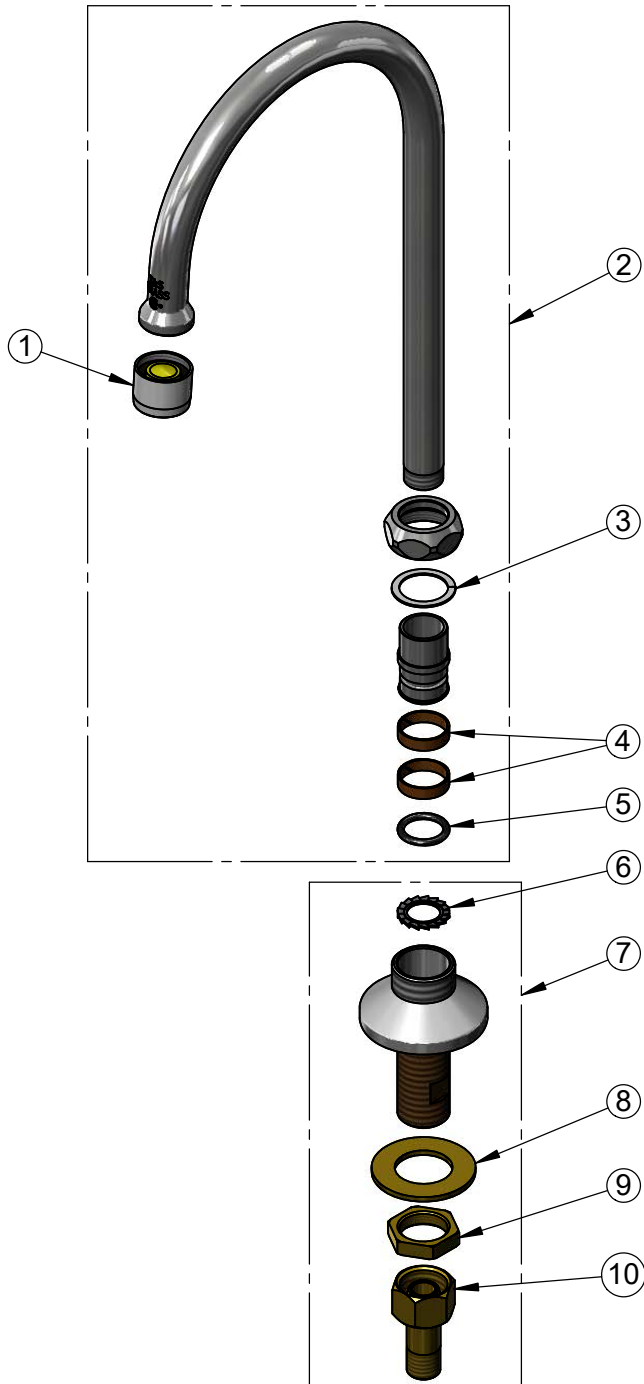


T&S BRASS AND BRONZE WORKS, INC.
 2 Saddleback Cove / P.O. Box 1088
 Travelers Rest, SC 29690

Model No.
B-0546

Item No.

Travelers Rest, SC: 800-476-4103 • Simi Valley, CA: 800-423-0150 • Fax: 864-834-3518 • www.tsbrass.com



| ITEM NO. | SALES NO. | DESCRIPTION |
|----------|-----------|--|
| 1 | B-0199-21 | 2.2 GPM Laminar Flow Device |
| 2 | 133X-LAM | 5 3/4" Swivel Gooseneck w/ 2.2 GPM Laminar Flow Device |
| 3 | 009538-45 | Swivel Washer |
| 4 | 011429-45 | Swivel Sleeves (2) |
| 5 | 001074-45 | O-Ring |
| 6 | 014200-45 | Star Washer, Anti-Rotation |
| 7 | B-0431 | Swivel Base Deck Mount Flange |
| 8 | 000999-45 | Brass Lock Washer |
| 9 | 002954-45 | Shank Lock Nut |
| 10 | 150A | 1/4" NPT Tailpiece & Nut |

Product Specifications:
 Dummy Gooseneck: Rigid/Swivel 5 3/4" Gooseneck w/ 2.2 GPM Laminar Flow Device & 1/2" NPSM Male Inlet

Product Compliance:
 ASME A112.18.1 / CSA B125.1
 NSF 61 - Section 9
 NSF 372 (Low Lead Content)