



T&S BRASS AND BRONZE WORKS, INC.
 2 Saddleback Cove / P.O. Box 1088
 Travelers Rest, SC 29690

Model No.
B-0592-26-CH

Item No.

Travelers Rest, SC: 800-476-4103 • Simi Valley, CA: 800-423-0150 • Fax: 864-834-3518 • www.tsbrass.com

This Space for Architect/Engineer Approval

Job Name _____ Date _____

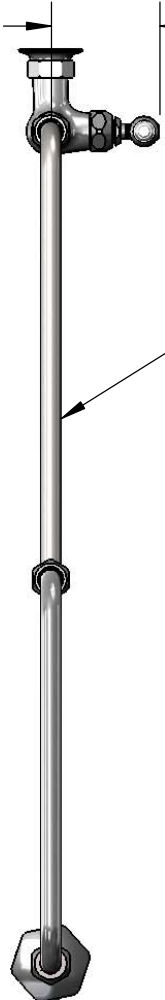
Model Specified _____ Quantity _____

Customer/Wholesaler _____

Contractor _____

Architect/Engineer _____

3 3/8"
 [86mm]



26" Double Joint
 Swing Nozzle
 w/ Heat Resistant
 "On-Off" Handle.
 Converts to Rigid w/
 014200-45
 Lock Washer (Included)



26"
 [660mm]

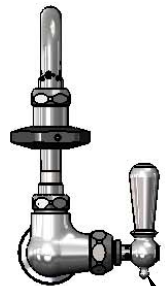
14"
 [356mm]

3 5/8"
 [91mm]

Swivel Joint

2 1/2"
 [64mm]

3 5/16"
 [84mm]



Quarter-Turn Eterna Cartridge
 w/ Spring Check &
 Decorative Club Handle w/
 Decorative Insert (Cold)

Ø 2" [51mm]
 Flange w/
 1/2" NPT
 Female Inlet

Product Specifications:
 Pot Filler Wall Mount, Single Control w/ 26" Double Joint Swing Nozzle, Heat Resistant Handle, Quarter-Turn Eterna Cartridge w/ Spring Check, Decorative Club Handle w/ Decorative Insert "Cold" & 1/2" NPT Female Inlet

Product Compliance:
 ASME A112.18.1 / CSA B125.1
 NSF 61 - Section 9
 NSF 372 (Low Lead Content)



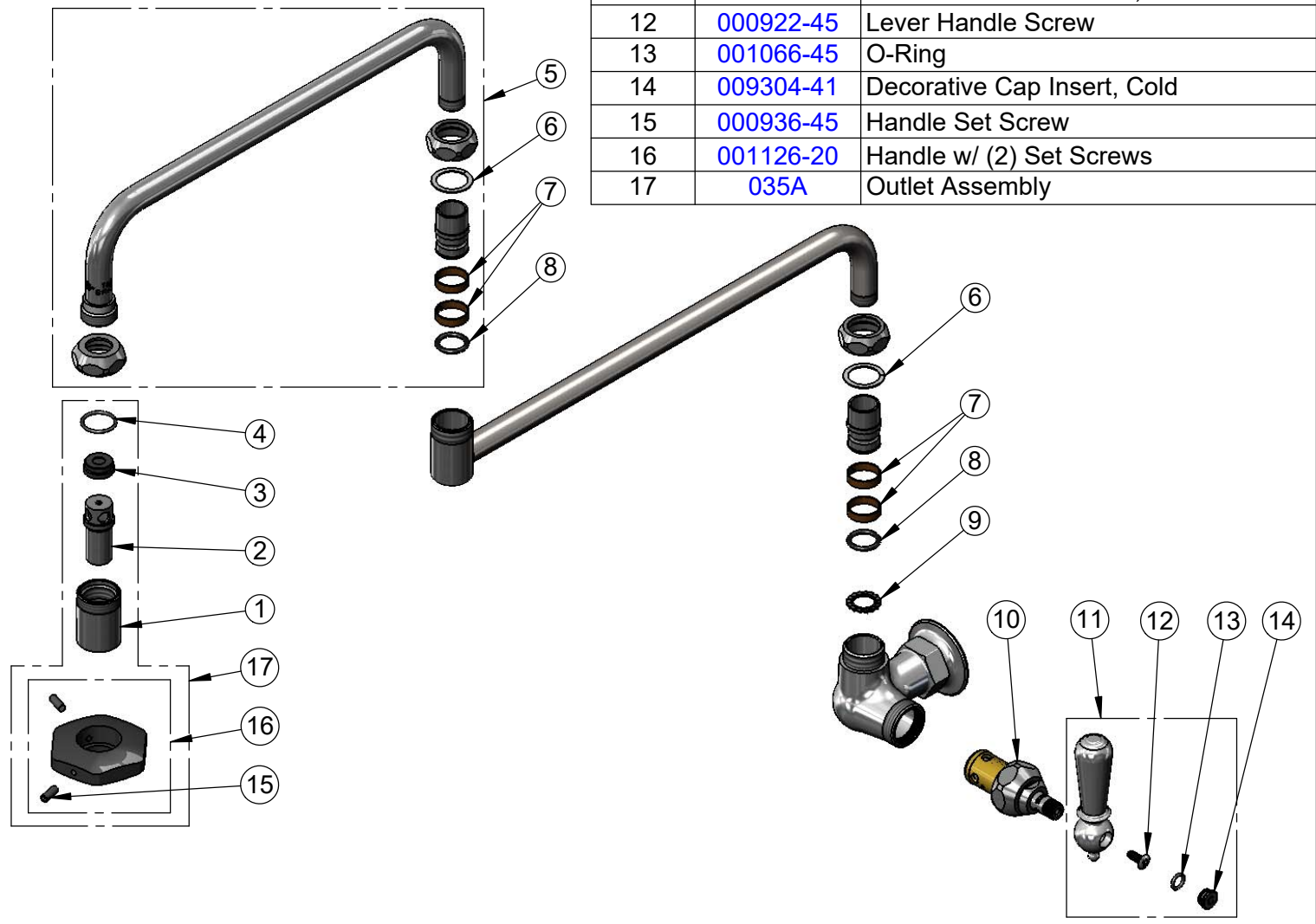
T&S BRASS AND BRONZE WORKS, INC.
 2 Saddleback Cove / P.O. Box 1088
 Travelers Rest, SC 29690

Model No.
B-0592-26-CH

Item No.

Travelers Rest, SC: 800-476-4103 • Simi Valley, CA: 800-423-0150 • Fax: 864-834-3518 • www.tsbrass.com

ITEM NO.	SALES NO.	DESCRIPTION
1	000587-25	Spout Body
2	001498-25	Spout
3	001089-45	Seal
4	003426-45	O-Ring
5	002869-40	12" Front Section
6	009538-45	Swivel Washer
7	011429-45	Swivel Sleeves (2)
8	001074-45	O-Ring
9	014200-45	Star Washer, Anti-Rotation
10	012443-40NS	Quarter-Turn Eterna Cartridge w/ Spring Check, RTC
11	009331-41	Decorative Club Handle, Cold
12	000922-45	Lever Handle Screw
13	001066-45	O-Ring
14	009304-41	Decorative Cap Insert, Cold
15	000936-45	Handle Set Screw
16	001126-20	Handle w/ (2) Set Screws
17	035A	Outlet Assembly



Product Specifications:
 Pot Filler Wall Mount, Single Control w/ 26" Double Joint Swing Nozzle, Heat Resistant Handle, Quarter-Turn Eterna Cartridge w/ Spring Check, Decorative Club Handle w/ Decorative Insert "Cold" & 1/2" NPT Female Inlet

Product Compliance:
 ASME A112.18.1 / CSA B125.1
 NSF 61 - Section 9
 NSF 372 (Low Lead Content)