



T&S BRASS AND BRONZE WORKS, INC.

2 Saddleback Cove / P.O. Box 1088
Travelers Rest, SC 29690

Model No.

B-0597

Item No.

Travelers Rest, SC: 800-476-4103 • Simi Valley, CA: 800-423-0150 • Fax: 864-834-3518 • www.tsbrass.com

This Space for Architect/Engineer Approval

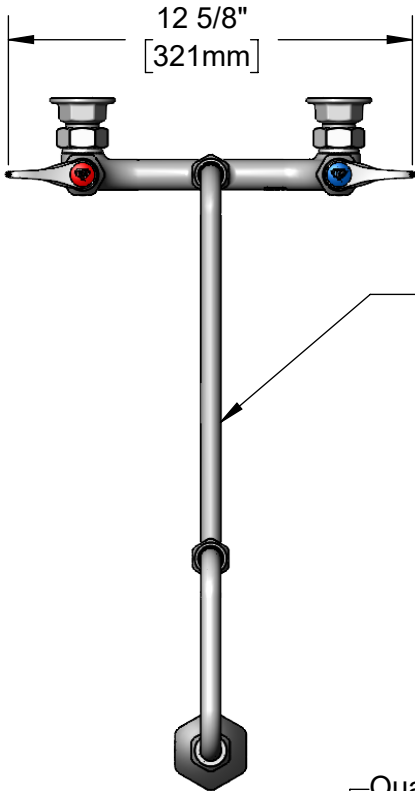
Job Name _____ Date _____

Model Specified _____ Quantity _____

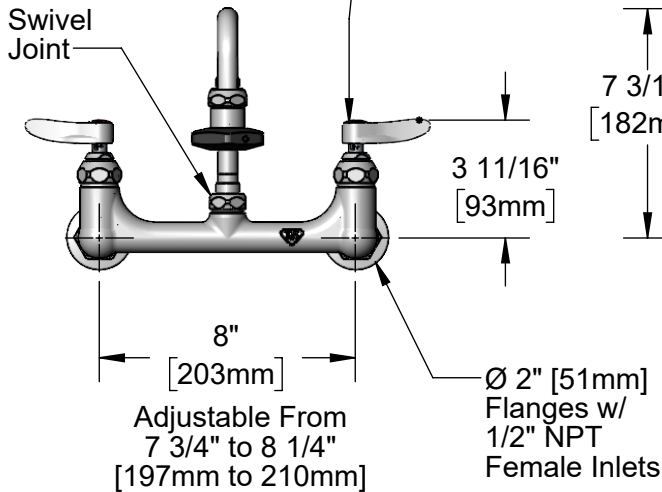
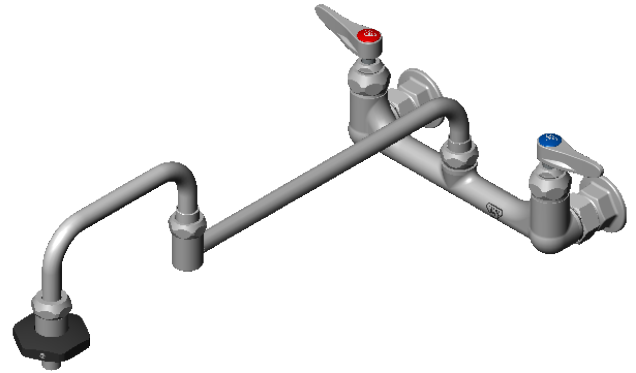
Customer/Wholesaler _____

Contractor _____

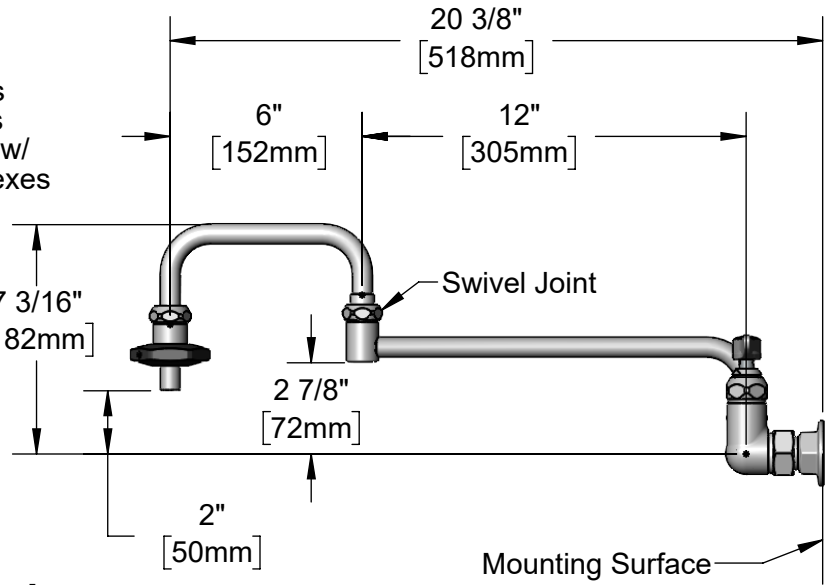
Architect/Engineer _____



18" Double Joint
Swing Nozzle
w/ Heat Resistant Handle
Converts to Rigid w/
014200-45
Lock Washer (Included).



Quarter-Turn
Eterna Cartridges
w/ Spring Checks
& Lever Handles w/
Color Coded Indexes



Mounting Surface

Product Specifications:

8" Pot Filler Mixing Faucet, Quarter-Turn Eterna Cartridges w/ Spring Checks, Lever Handles, 18" Double Joint Swing Nozzle, Heat Resistant Handle & 1/2" NPT Female Inlets

Product Compliance:

ASME A112.18.1 / CSA B125.1
NSF 61 - Section 9
NSF 372 (Low Lead Content)



T&S BRASS AND BRONZE WORKS, INC.

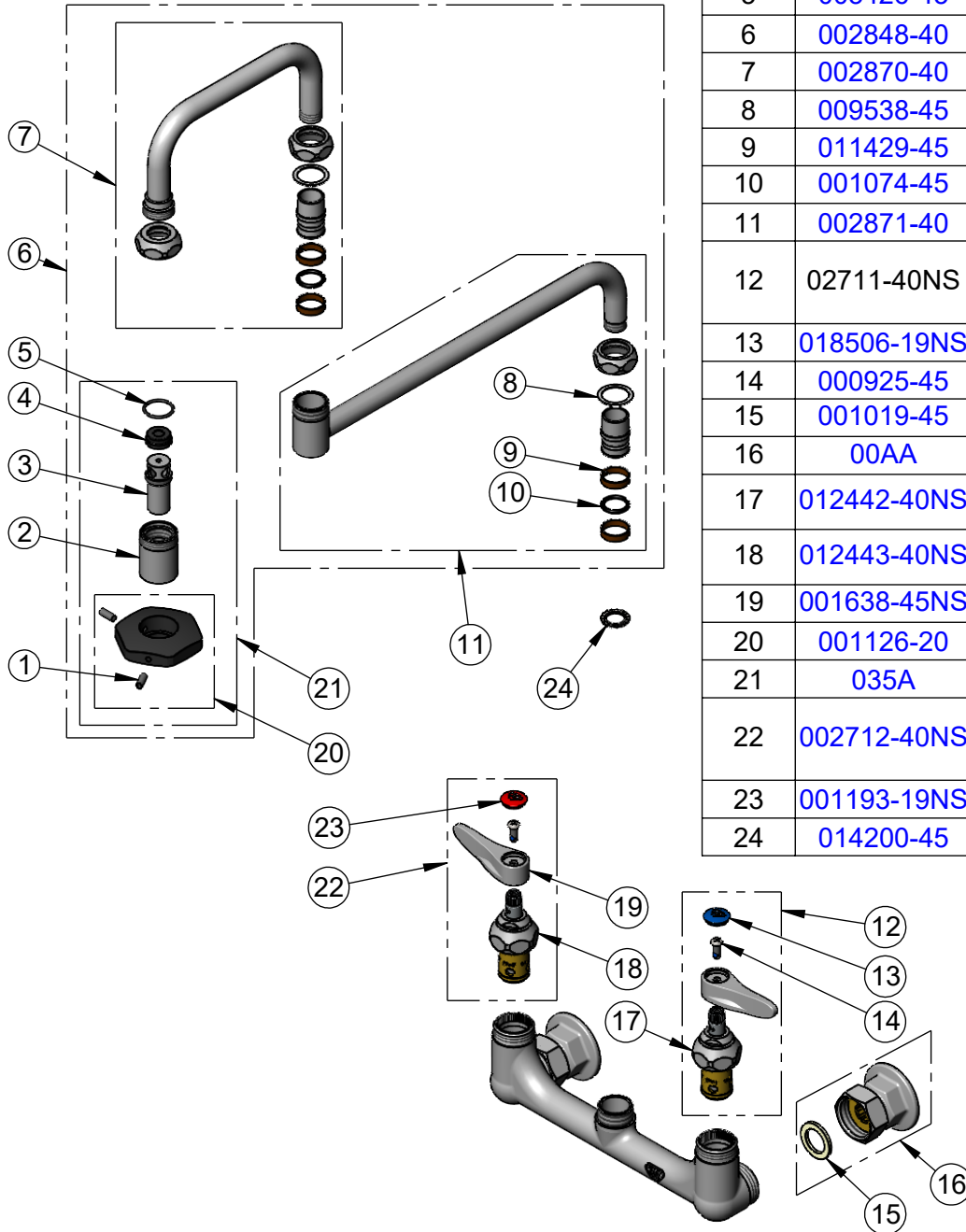
2 Saddleback Cove / P.O. Box 1088
Travelers Rest, SC 29690

Model No.

B-0597

Item No.

Travelers Rest, SC: 800-476-4103 • Simi Valley, CA: 800-423-0150 • Fax: 864-834-3518 • www.tsbrass.com



| ITEM NO. | SALES NO. | DESCRIPTION |
|----------|-------------|--|
| 1 | 000936-45 | Handle Set Screw |
| 2 | 000587-25 | Spout Body |
| 3 | 001498-25 | Spout |
| 4 | 001089-45 | Seal |
| 5 | 003426-45 | O-Ring |
| 6 | 002848-40 | 18" Double Joint Nozzle |
| 7 | 002870-40 | 6" Front Section |
| 8 | 009538-45 | Swivel Washer |
| 9 | 011429-45 | Swivel Sleeves (2) |
| 10 | 001074-45 | O-Ring |
| 11 | 002871-40 | 12" Back Section |
| 12 | 02711-40NS | Quarter-Turn Eterna Cartridge, LTC w/ Spring Check, Handle, Blue Index & Screw |
| 13 | 018506-19NS | Blue Button Index, Press-in |
| 14 | 000925-45 | Lab Handle Screw |
| 15 | 001019-45 | Coupling Nut Washer |
| 16 | 00AA | 1/2" NPT Female Eccentric Flange |
| 17 | 012442-40NS | Quarter-Turn Eterna Cartridge, LTC w/ Spring Check |
| 18 | 012443-40NS | Quarter-Turn Eterna Cartridge, RTC w/ Spring Check |
| 19 | 001638-45NS | Lever Handle (New Style) |
| 20 | 001126-20 | Handle w/ (2) Set Screws |
| 21 | 035A | Outlet |
| 22 | 002712-40NS | Quarter-Turn Eterna Cartridge, RTC w/ Spring Check, Handle, Red Index & Screw |
| 23 | 001193-19NS | Red Button Index, Press-in |
| 24 | 014200-45 | Star Washer, Anti-Rotation |

Product Specifications:

8" Pot Filler Mixing Faucet, Quarter-Turn Eterna Cartridges w/ Spring Checks, Lever Handles, 18" Double Joint Swing Nozzle, Heat Resistant Handle & 1/2" NPT Female Inlets

Product Compliance:

ASME A112.18.1 / CSA B125.1
NSF 61 - Section 9
NSF 372 (Low Lead Content)