



T&S BRASS AND BRONZE WORKS, INC.

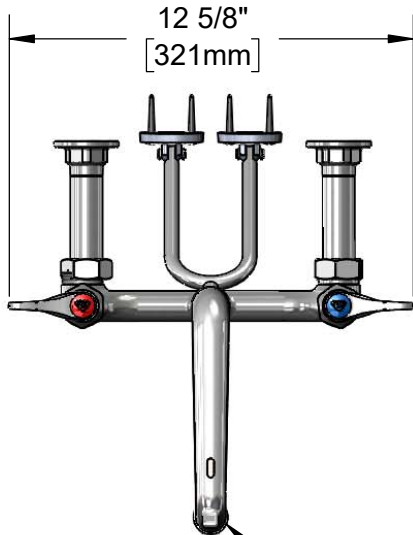
2 Saddleback Cove / P.O. Box 1088
Travelers Rest, SC 29690

Model No.

B-0650-RGH

Item No.

Travelers Rest, SC: 800-476-4103 • Simi Valley, CA: 800-423-0150 • Fax: 864-834-3518 • www.tsbrass.com



12 5/8"
[321mm]



ADA Compliant

This Space for Architect/Engineer Approval

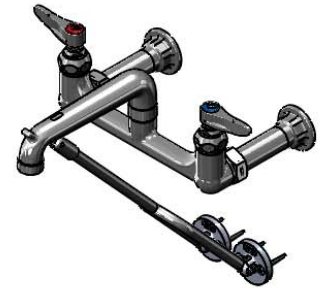
Job Name _____ Date _____

Model Specified _____ Quantity _____

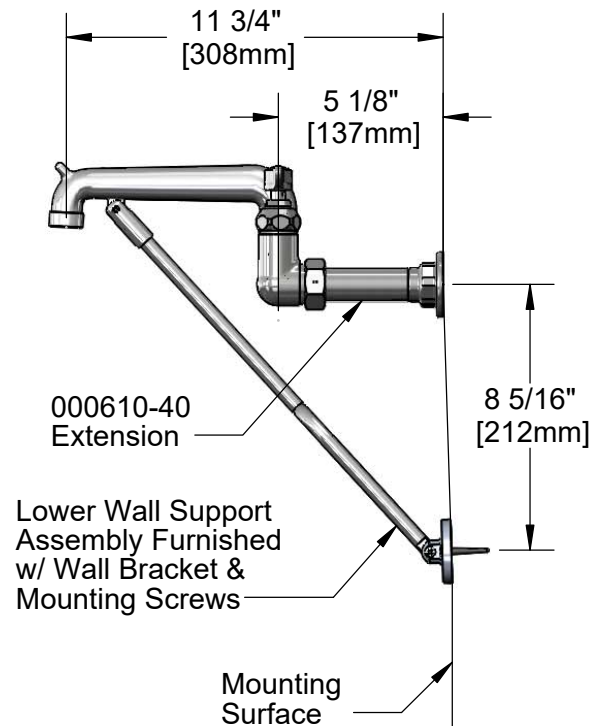
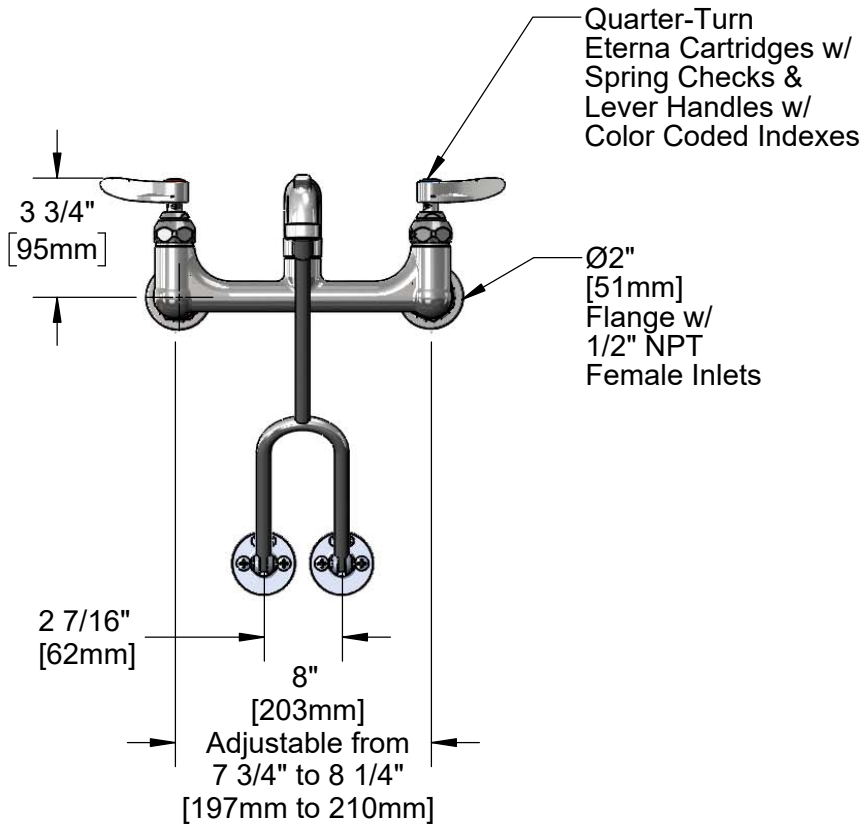
Customer/Wholesaler _____

Contractor _____

Architect/Engineer _____



Plain End Spout



Product Specifications:

8" Wall Mount Service Sink Faucet, Quarter-Turn Eterna Cartridges w/ Spring Checks, Rough Chrome Finish, Lever Handles, Lower Support Rod, 1/2" NPT Extended Inlets & Plain End Outlet

Product Compliance:

ASME A112.18.1 / CSA B125.1
NSF 61 - Section 9
NSF 372 (Low Lead Content)
ANSI A117.1 (ADA)



T&S BRASS AND BRONZE WORKS, INC.

2 Saddleback Cove / P.O. Box 1088
Travelers Rest, SC 29690

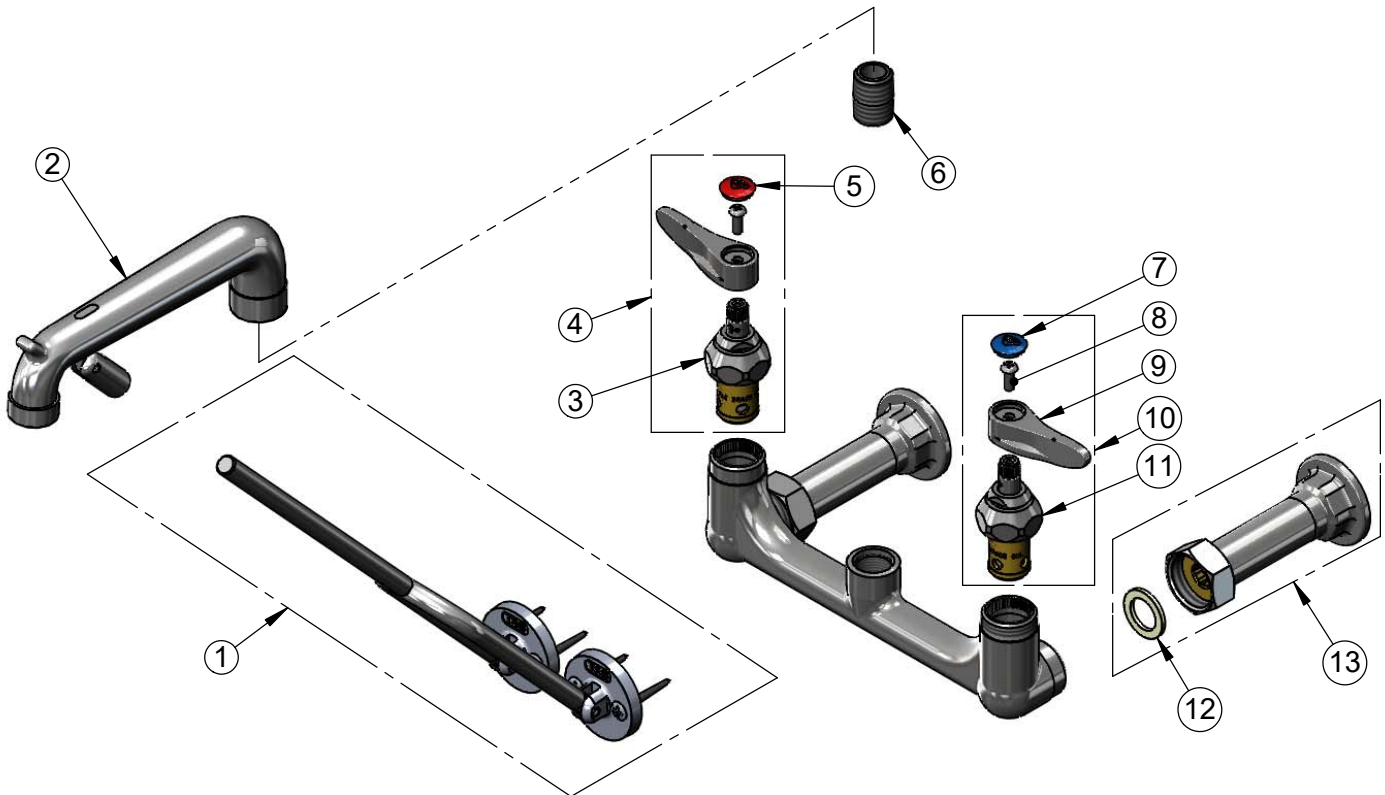
Model No.

B-0650-RGH

Item No.

Travelers Rest, SC: 800-476-4103 • Simi Valley, CA: 800-423-0150 • Fax: 864-834-3518 • www.tsbrass.com

ITEM NO.	SALES NO.	DESCRIPTION
1	009616-40	Lower Wall Support Assembly w/ Mounting Screws
2	016844-25	Spout Assembly Rough Chrome w/ Bottom Support Clevis
3	012443-40NS	Quarter-Turn Eterna Cartridge w/ Spring Check, RTC
4	002712-40NS	Quarter-Turn Eterna Cartridge w/ Spring Check, Handle, Red Index & Screw, RTC
5	001193-19NS	Red Button Index, Press-in
6	002534-25	Close Nipple, 1/2" NPT
7	018506-19NS	Blue Button Index, Press-in
8	000925-45	Lab Handle Screw
9	001638-45NS	Lever Handle (New Style)
10	002711-40NS	Quarter-Turn Eterna Cartridge w/ Spring Check, Handle, Blue Index & Screw, LTC
11	012442-40NS	Quarter-Turn Eterna Cartridge w/ Spring Check, LTC
12	001019-45	Coupling Nut Washer
13	B-0441	1/2" x 4" Extension Flange Inlet



Product Specifications:

8" Wall Mount Service Sink Faucet, Quarter-Turn Eterna Cartridges w/ Spring Checks, Rough Chrome Finish, Lever Handles, Lower Support Rod, 1/2" NPT Extended Inlets & Plain End Outlet

Product Compliance:

ASME A112.18.1 / CSA B125.1
NSF 61 - Section 9
NSF 372 (Low Lead Content)
ANSI A117.1 (ADA)