



# T&S BRASS AND BRONZE WORKS, INC.

2 Saddleback Cove / P.O. Box 1088  
Travelers Rest, SC 29690

Model No.

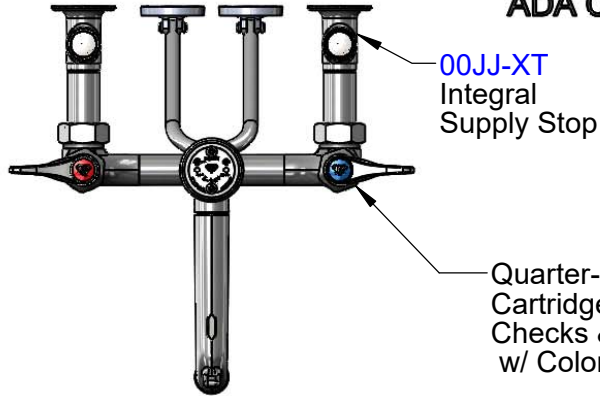
**B-0656-POL**

Item No.

Travelers Rest, SC: 800-476-4103 • Simi Valley, CA: 800-423-0150 • Fax: 864-834-3518 • www.tsbrass.com



**ADA Compliant**



**00JJ-XT**  
Integral  
Supply Stop

Quarter-Turn Eterna  
Cartridges w/ Spring  
Checks & Lever Handles  
w/ Color Coded Indexes

This Space for Architect/Engineer Approval

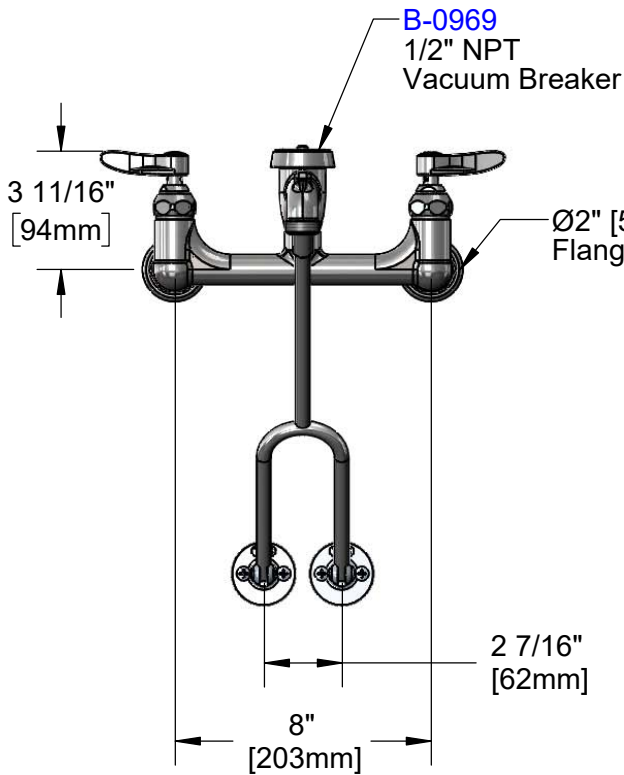
Job Name \_\_\_\_\_ Date \_\_\_\_\_

Model Specified \_\_\_\_\_ Quantity \_\_\_\_\_

Customer/Wholesaler \_\_\_\_\_

Contractor \_\_\_\_\_

Architect/Engineer \_\_\_\_\_



**B-0969**  
1/2" NPT  
Vacuum Breaker

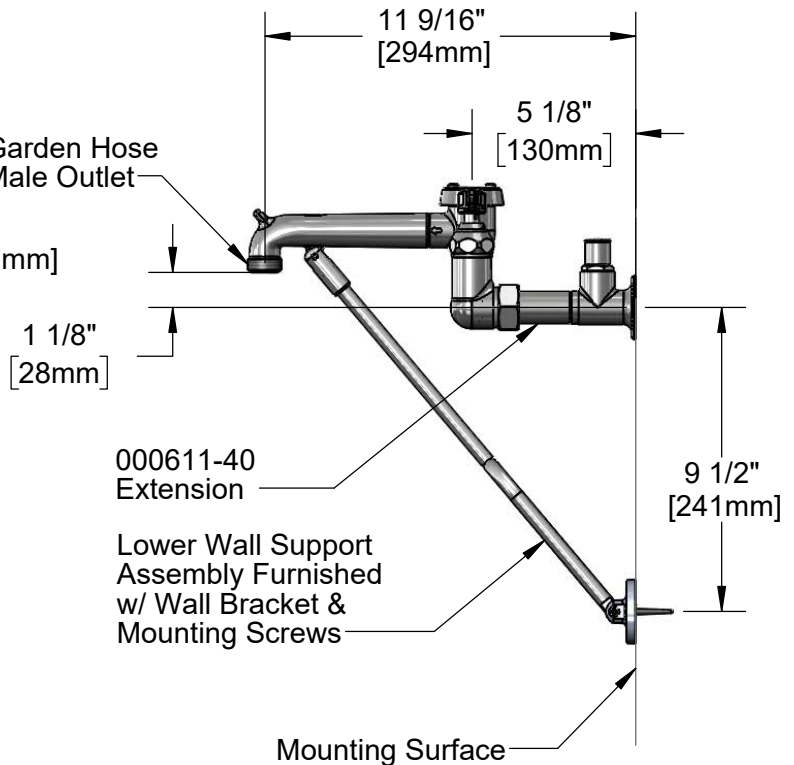
Garden Hose  
Male Outlet

Ø2" [51mm]  
Flange

1 1/8"  
[28mm]

2 7/16"  
[62mm]

8"  
[203mm]



11 9/16"  
[294mm]

5 1/8"  
[130mm]

000611-40  
Extension

Lower Wall Support  
Assembly Furnished  
w/ Wall Bracket &  
Mounting Screws

9 1/2"  
[241mm]

Mounting Surface

**Product Specifications:**

8" Wall Mount Service Sink, Quarter-Turn Eterna Cartridges w/ Spring Checks, Polish Chrome Finish, Lever Handles, Lower Support Rod, 1/2" NPT Extended Inlets w/ Integral Stops, Garden Hose Male Outlet & 1/2" Vacuum Breaker

**Product Compliance:**

ASME A112.18.1 / CSA B125.1  
NSF 61 - Section 9  
NSF 372 (Low Lead Content)  
ASSE 1001 (VB)  
ANSI A117.1 (ADA)



# T&S BRASS AND BRONZE WORKS, INC.

2 Saddleback Cove / P.O. Box 1088  
Travelers Rest, SC 29690

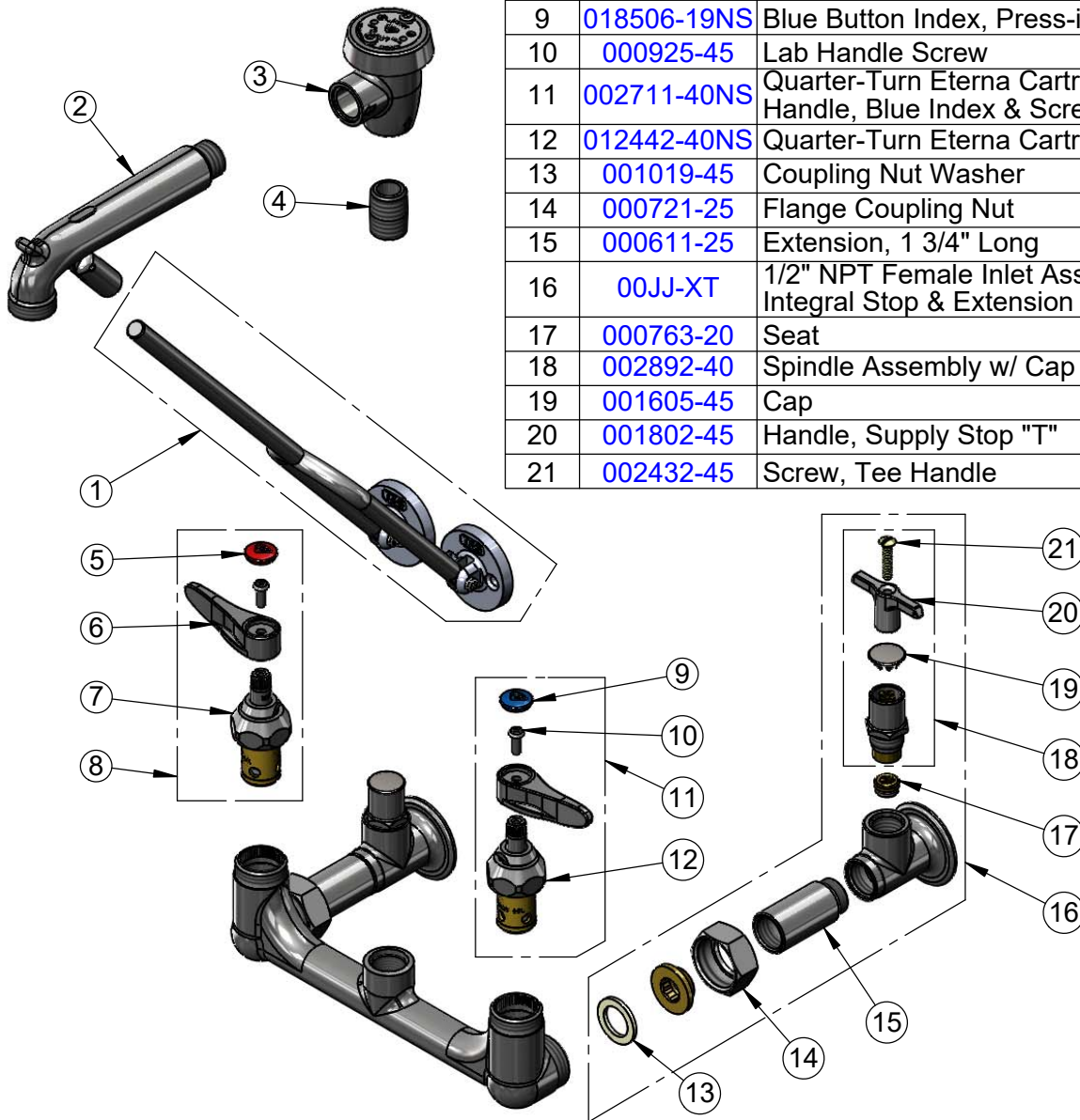
Model No.

**B-0656-POL**

Item No.

Travelers Rest, SC: 800-476-4103 • Simi Valley, CA: 800-423-0150 • Fax: 864-834-3518 • www.tsbrass.com

ITEM NO.	SALES NO.	DESCRIPTION
1	009616-40	Lower Support Rod Assembly w/ Mounting
2	016450-40	Spout w/ Lower Clevis
3	B-0969	1/2" NPT Vacuum Breaker
4	002534-25	Close Nipple, 1/2" NPT
5	001193-19NS	Red Button Index, Press-in
6	001638-45NS	Lever Handle (New Style)
7	012443-40NS	Quarter-Turn Eterna Cartridge w/ Spring Check, RTC
8	002712-40NS	Quarter-Turn Eterna Cartridge w/ Spring Check, Handle, Red Index & Screw, RTC
9	018506-19NS	Blue Button Index, Press-in
10	000925-45	Lab Handle Screw
11	002711-40NS	Quarter-Turn Eterna Cartridge w/ Spring Check, Handle, Blue Index & Screw, LTC
12	012442-40NS	Quarter-Turn Eterna Cartridge w/ Spring Check, LTC
13	001019-45	Coupling Nut Washer
14	000721-25	Flange Coupling Nut
15	000611-25	Extension, 1 3/4" Long
16	00JJ-XT	1/2" NPT Female Inlet Assembly w/ Integral Stop & Extension
17	000763-20	Seat
18	002892-40	Spindle Assembly w/ Cap
19	001605-45	Cap
20	001802-45	Handle, Supply Stop "T"
21	002432-45	Screw, Tee Handle



**Product Specifications:**

8" Wall Mount Service Sink, Quarter-Turn Eterna Cartridges w/ Spring Checks, Polish Chrome Finish, Lever Handles, Lower Support Rod, 1/2" NPT Extended Inlets w/ Integral Stops, Garden Hose Male Outlet & 1/2" Vacuum Breaker

**Product Compliance:**

ASME A112.18.1 / CSA B125.1  
NSF 61 - Section 9  
NSF 372 (Low Lead Content)  
ASSE 1001 (VB)  
ANSI A117.1 (ADA)