



**T&S BRASS AND BRONZE WORKS, INC.**  
 2 Saddleback Cove / P.O. Box 1088  
 Travelers Rest, SC 29690

Model No.  
**B-0665-CR-BSTR**

Item No.

Travelers Rest, SC: 800-476-4103 • Simi Valley, CA: 800-423-0150 • Fax: 864-834-3518 • www.tsbrass.com



**ADA Compliant**

This Space for Architect/Engineer Approval

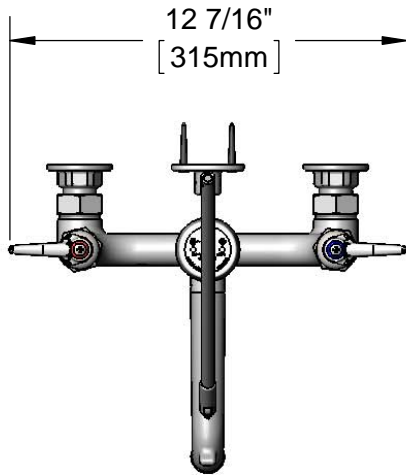
Job Name \_\_\_\_\_ Date \_\_\_\_\_

Model Specified \_\_\_\_\_ Quantity \_\_\_\_\_

Customer/Wholesaler \_\_\_\_\_

Contractor \_\_\_\_\_

Architect/Engineer \_\_\_\_\_



Support Rod w/  
 Wall Bracket &  
 Mounting Screws

Mounting  
 Surface

Items Not Shown  
 For Clarity

B-0969  
 1/2" NPT Vacuum  
 Breaker

Cerama Cartridges w/ Check  
 Valves & Lever Handles w/  
 Color Coded Indexes

Garden Hose  
 Male Outlet

Ø 2" [51mm]  
 Flanges w/  
 1/2" NPT  
 Female Inlets

Built-In Service  
 Stop

3 7/8"  
 [98mm]

8"  
 [203mm]  
 Adjustable From  
 7 3/4" to 8 1/4"  
 [197mm to 210mm]

14 5/16"  
 [364mm]

2 11/16"  
 [68mm]

9 1/8"  
 [232mm]

**Product Specifications:**

8" Wall Mount Service Sink Faucet, Cerama Cartridges w/ Check Valves, Lever Handles, Upper Support Rod, Garden Hose Male Outlet, Rough Chrome Finish, Built-In Stops, 1/2" NPT Vacuum Breaker & 1/2" NPT Female Inlets

**Product Compliance:**

ASME A112.18.1 / CSA B125.1  
 NSF 61 Exempt (Non-Potable)  
 ANSI A117.1 (ADA)  
 ASSE 1001 (VB)



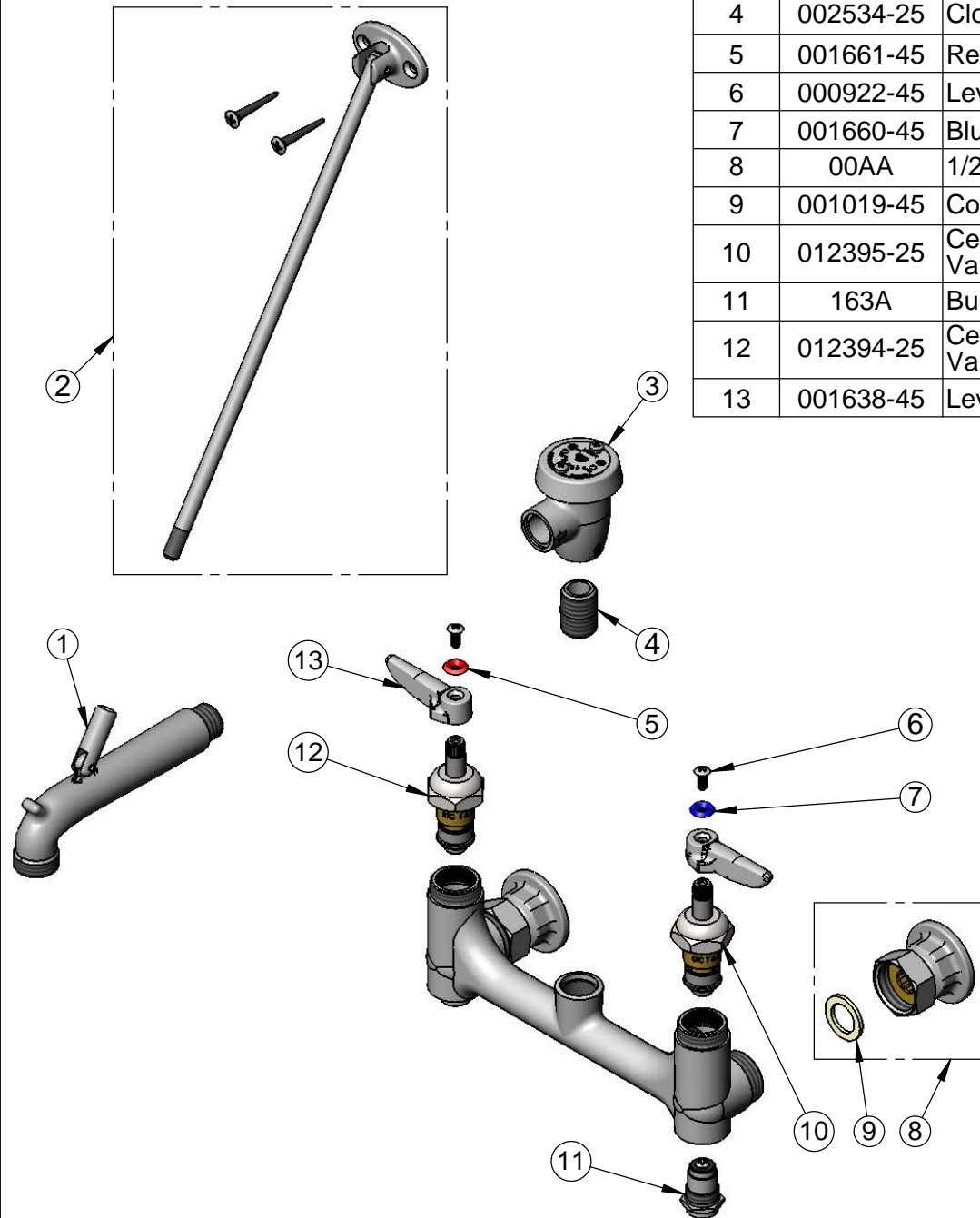
**T&S BRASS AND BRONZE WORKS, INC.**  
 2 Saddleback Cove / P.O. Box 1088  
 Travelers Rest, SC 29690

Model No.  
**B-0665-CR-BSTR**

Item No.

Travelers Rest, SC: 800-476-4103 • Simi Valley, CA: 800-423-0150 • Fax: 864-834-3518 • www.tsbrass.com

ITEM NO.	SALES NO.	DESCRIPTION
1	009545-25	Spout w/ Male GH Outlet & Upper Clevis - Rough Chrome
2	009546-40	Upper Support Rod
3	B-0969	1/2" NPT Vacuum Breaker
4	002534-25	Close Nipple, 1/2" NPT
5	001661-45	Red Index-HW
6	000922-45	Lever Handle Screw
7	001660-45	Blue Index-CW
8	00AA	1/2" NPT Female Eccentric Flange
9	001019-45	Coupling Nut Washer
10	012395-25	Cerama Cartridge, LTC w/ Check Valve
11	163A	Built-in Service Stop
12	012394-25	Cerama Cartridge, RTC w/ Check Valve
13	001638-45	Lever Handle



**Product Specifications:**  
 8" Wall Mount Service Sink Faucet, Cerama Cartridges w/ Check Valves, Lever Handles, Upper Support Rod, Garden Hose Male Outlet, Rough Chrome Finish, Built-In Stops, 1/2" NPT Vacuum Breaker & 1/2" NPT Female Inlets

**Product Compliance:**  
 ASME A112.18.1 / CSA B125.1  
 NSF 61 Exempt (Non-Potable)  
 ANSI A117.1 (ADA)  
 ASSE 1001 (VB)