



# T&S BRASS AND BRONZE WORKS, INC.

2 Saddleback Cove / P.O. Box 1088  
Travelers Rest, SC 29690

Model No.

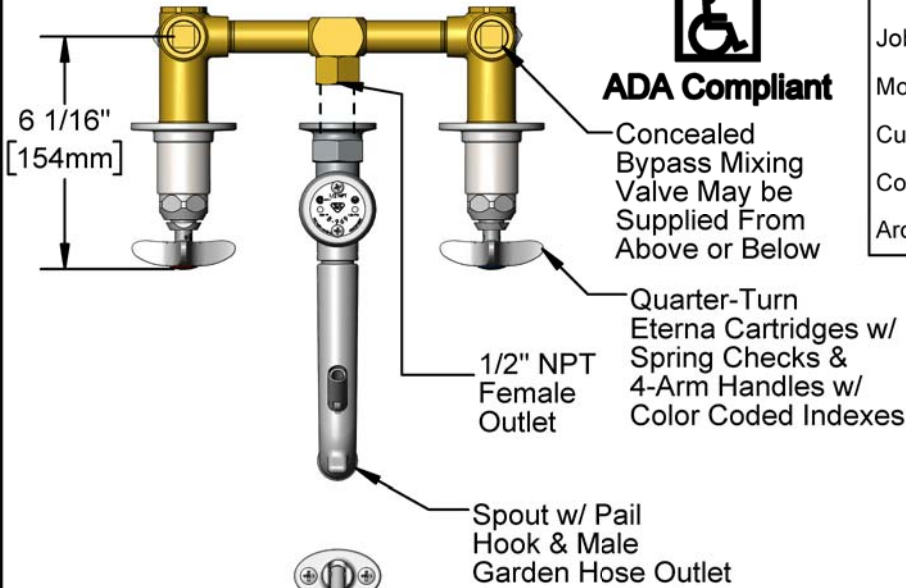
**B-0699-ST**

Item No.

Travelers Rest, SC: 800-476-4103 • Simi Valley, CA: 800-423-0150 • Fax: 864-834-3518 • www.tsbrass.com



**ADA Compliant**



This Space for Architect/Engineer Approval

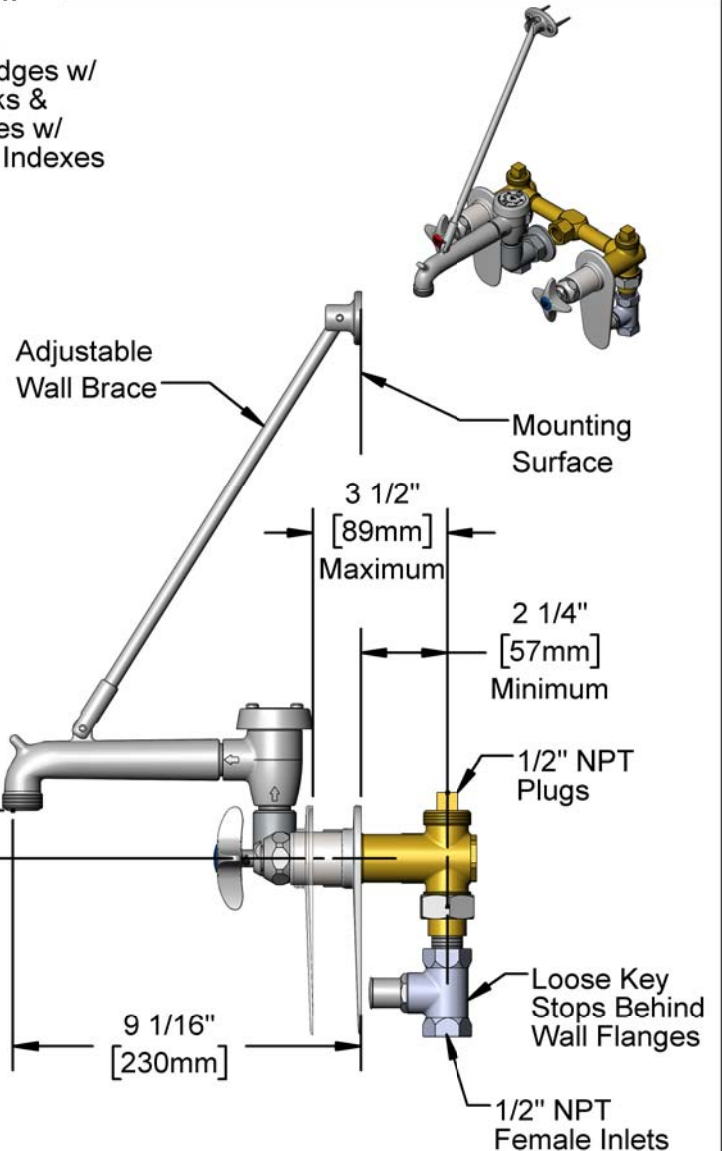
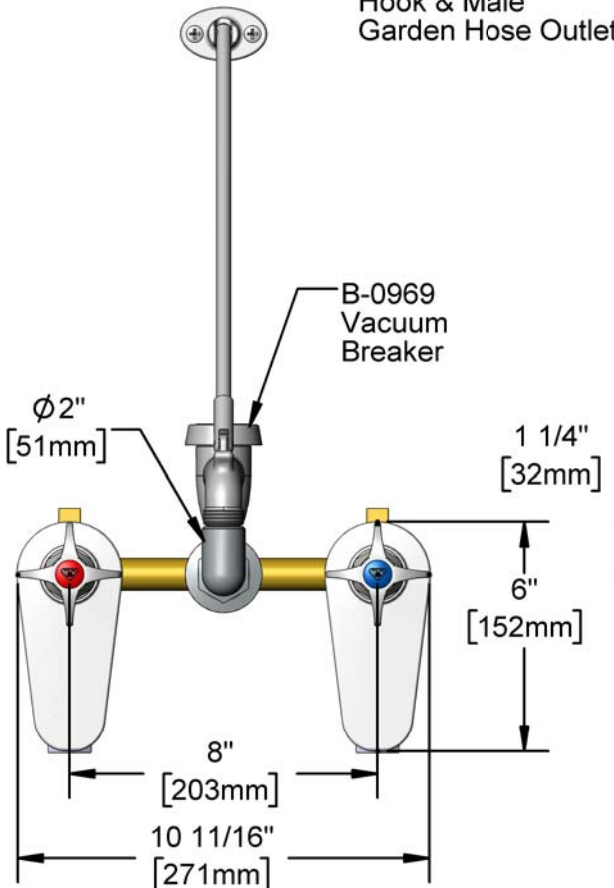
Job Name \_\_\_\_\_ Date \_\_\_\_\_

Model Specified \_\_\_\_\_ Quantity \_\_\_\_\_

Customer/Wholesaler \_\_\_\_\_

Contractor \_\_\_\_\_

Architect/Engineer \_\_\_\_\_



Rough-In Requirement:  
(2) Ø 1 1/2" [38mm] Mounting Holes

Product Specifications:  
8" Wall Mount Concealed Mixing Valve, Quarter-Turn Eterna Cartridges w/ Spring Checks, 4-Arm Handles, Spout w/ Pail Hook & Male Garden Hose Outlet, Upper Support Rod, Loose Key Stops and 1/2" NPT Female Inlets

Product Compliance:  
ASME A112.18.1 / CSA B125.1  
NSF 61 - Section 9  
NSF 372 (Low Lead Content)  
ANSI A117.1 (ADA)  
ASSE 1001 (VB)



# T&S BRASS AND BRONZE WORKS, INC.

2 Saddleback Cove / P.O. Box 1088  
Travelers Rest, SC 29690

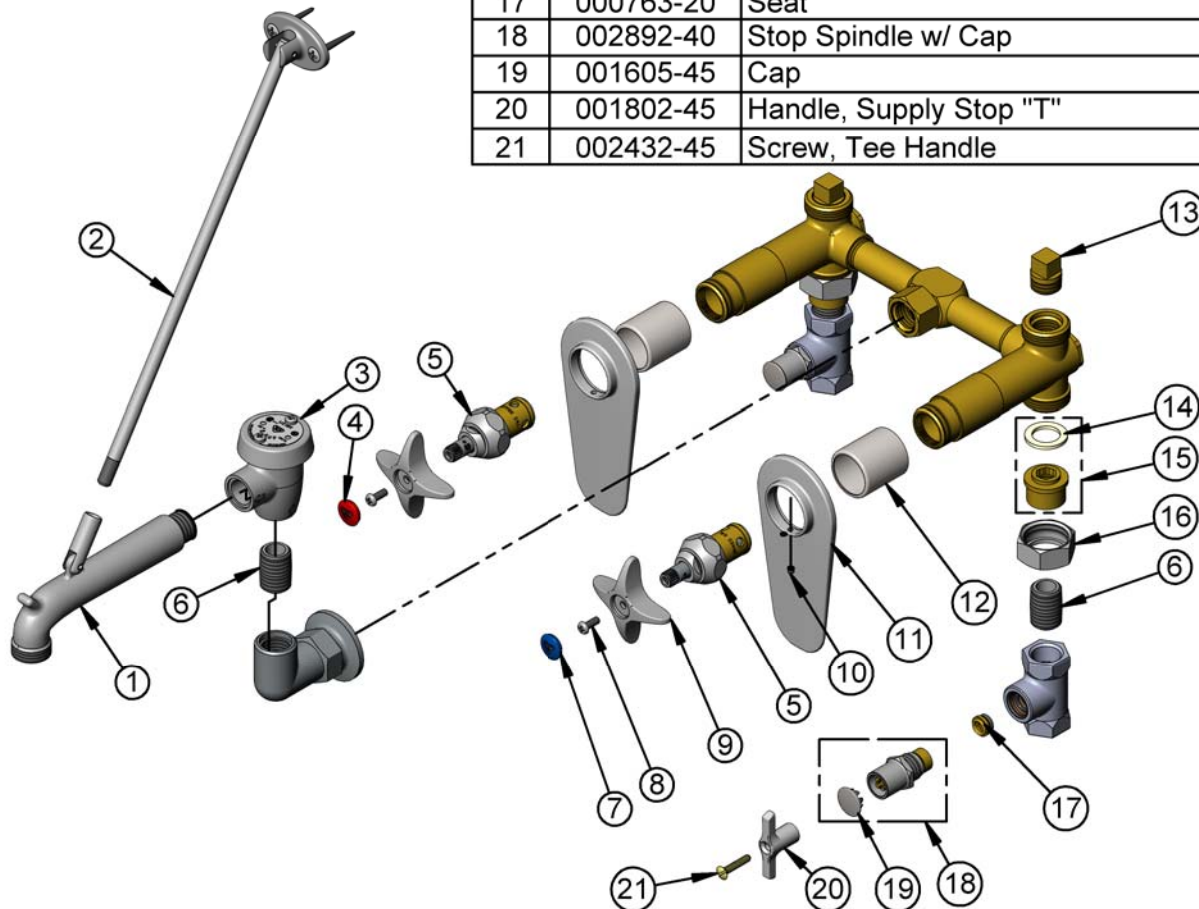
Model No.

**B-0699-ST**

Item No.

Travelers Rest, SC: 800-476-4103 • Simi Valley, CA: 800-423-0150 • Fax: 864-834-3518 • www.tsbrass.com

ITEM NO.	SALES NO.	DESCRIPTION
1	009545-40	Nozzle w/ Clevis - Polished Chrome
2	009546-40	Support Rod - Polish Chrome
3	B-0969	Vacuum Breaker
4	001193-19NS	Red Button Index, Press-in
5	012443-40NS	Quarter-Turn Eterna Cartridge w/ Spring Check, RTC
6	002534-25	Close Nipple, 1/2" NPT
7	018506-19NS	Blue Button Index, Press-in
8	000925-45	Lab Handle Screw
9	002521-45NS	4-Arm Handle (New Style)
10	000939-45	Escutcheon, Set Screw
11	002820-40	Escutcheon, Tear Drop Style
12	151F	Escutcheon Tube
13	001347-20	1/2" NPT Square Head Plug
14	001019-45	Coupling Nut Washer
15	153F	Union Half, 1/2 NPT w/ Washer
16	000721-25	Flange Coupling Nut
17	000763-20	Seat
18	002892-40	Stop Spindle w/ Cap
19	001605-45	Cap
20	001802-45	Handle, Supply Stop "T"
21	002432-45	Screw, Tee Handle



**Product Specifications:**  
8" Wall Mount Concealed Mixing Valve, Quarter-Turn Eterna Cartridges w/ Spring Checks, 4-Arm Handles, Spout w/ Pail Hook & Male Garden Hose Outlet, Upper Support Rod, Loose Key Stops and 1/2" NPT Female Inlets

**Product Compliance:**  
ASME A112.18.1 / CSA B125.1  
NSF 61 - Section 9  
NSF 372 (Low Lead Content)  
ANSI A117.1 (ADA)  
ASSE 1001 (VB)