



T&S BRASS AND BRONZE WORKS, INC.

2 Saddleback Cove / P.O. Box 1088
Travelers Rest, SC 29690

Model No.

B-0700-LTCR177F

Item No.

Travelers Rest, SC: 800-476-4103 • Simi Valley, CA: 800-423-0150 • Fax: 864-834-3518 • www.tsbrass.com



ADA Compliant

This Space for Architect/Engineer Approval

Job Name _____ Date _____

Model Specified _____ Quantity _____

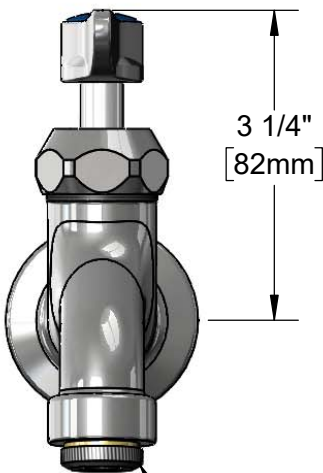
Customer/Wholesaler _____

Contractor _____

Architect/Engineer _____

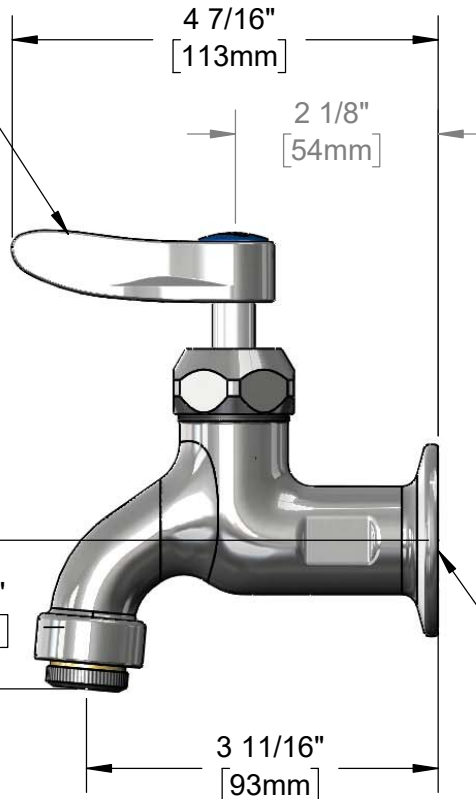


Quarter-Turn
Cerama Cartridge w/
Check Valve &
Lever Handle w/ Color
Coded Index (Blue)



3 1/4"
[82mm]

Stream Regulator
Outlet



4 7/16"
[113mm]

2 1/8"
[54mm]

1 9/16"
[39mm]

3 11/16"
[93mm]

Ø 2" [51mm]
Flange w/
1/2" NPT
Female Inlet

Product Specifications:

Single Temperature Sill Faucet, Cerama Cartridge, Lever Handle w/ Blue Index, Stream Regulator Outlet & 1/2" NPT Female Inlet

Product Compliance:

ASME A112.18.1 / CSA B125.1
NSF 61 - Section 9
NSF 372 (Low Lead Content)
ANSI A117.1 (ADA)



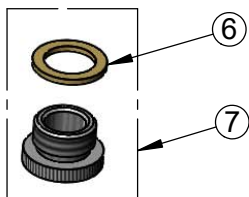
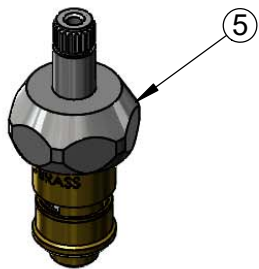
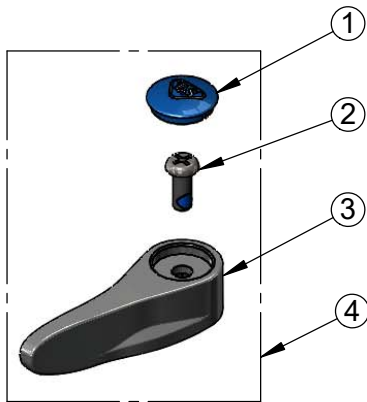
T&S BRASS AND BRONZE WORKS, INC.
 2 Saddleback Cove / P.O. Box 1088
 Travelers Rest, SC 29690

Model No.
B-0700-LTCR177F

Item No.

Travelers Rest, SC: 800-476-4103 • Simi Valley, CA: 800-423-0150 • Fax: 864-834-3518 • www.tsbrass.com

ITEM NO.	SALES NO.	DESCRIPTION
1	018506-19NS	Blue Button Index, Press-in
2	000925-45	Lab Handle Screw
3	001638-45NS	Lever Handle (New Style)
4	001636-45NS	Lever Handle, Blue Index & Screw
5	012394-25NS	Quarter-Turn Cerama Cartridge w/ Check Valve, RTC
6	001043-45	Washer
7	B-LT	Stream Regulator Outlet



Product Specifications:
 Single Temperature Sill Faucet, Cerama Cartridge, Lever Handle w/ Blue Index, Stream Regulator Outlet & 1/2" NPT Female Inlet

Product Compliance:
 ASME A112.18.1 / CSA B125.1
 NSF 61 - Section 9
 NSF 372 (Low Lead Content)
 ANSI A117.1 (ADA)