



# T&S BRASS AND BRONZE WORKS, INC.

2 Saddleback Cove / P.O. Box 1088  
Travelers Rest, SC 29690

Model No.

**B-0712-F10**

Item No.

Travelers Rest, SC: 800-476-4103 • Simi Valley, CA: 800-423-0150 • Fax: 864-834-3518 • www.tsbrass.com



**ADA Compliant**

This Space for Architect/Engineer Approval

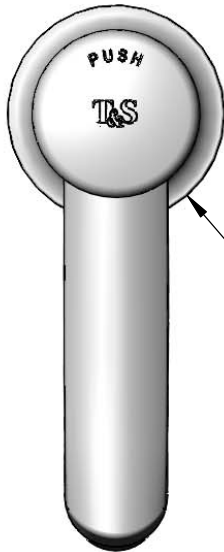
Job Name \_\_\_\_\_ Date \_\_\_\_\_

Model Specified \_\_\_\_\_ Quantity \_\_\_\_\_

Customer/Wholesaler \_\_\_\_\_

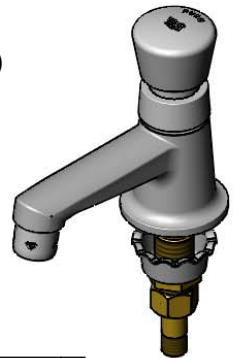
Contractor \_\_\_\_\_

Architect/Engineer \_\_\_\_\_



Ø 2 1/4"  
[57mm]  
Base

Spanner Bit for Access to  
Metering Adjustment (Included)  
(Metering Adjustment  
Requires 3/32" Hex Key)



Push Button  
Metering Cartridge

**B-0199-03-F10**  
1.0 GPM Aerator

15/16"  
[23mm]

Mounting  
Surface

2 5/16"  
[59mm]

1/2" NPSM  
Male Inlet

**150A**  
Optional Tailpiece & Nut  
For 1/4" NPT Connection  
(Included)

4 5/8"  
[118mm]

4 1/8"  
[105mm]

13/16"  
[21mm]  
Maximum  
Thickness

Rough-In Requirement:  
Ø 1 1/8" [29mm] Mounting Hole

Product Specifications:  
Single Hole Single Temperature Deck Mount Basin Faucet, Push  
Button Metering Cartridge, 1.0 GPM Aerator & 1/2" NPSM Male Inlet

Product Compliance:  
ASME A112.18.1 / CSA B125.1  
NSF 61 - Section 9  
NSF 372 (Low Lead Content)  
ANSI A117.1 (ADA)

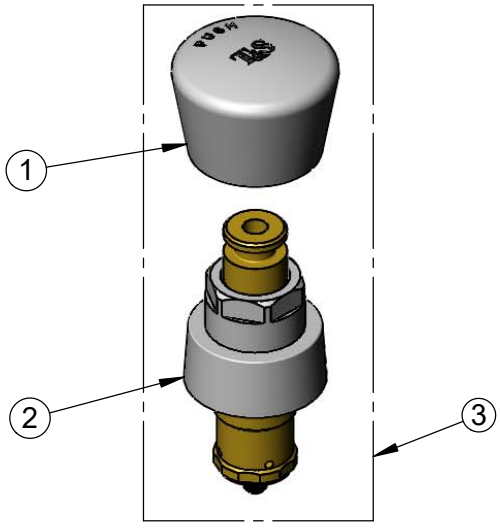


**T&S BRASS AND BRONZE WORKS, INC.**  
 2 Saddleback Cove / P.O. Box 1088  
 Travelers Rest, SC 29690

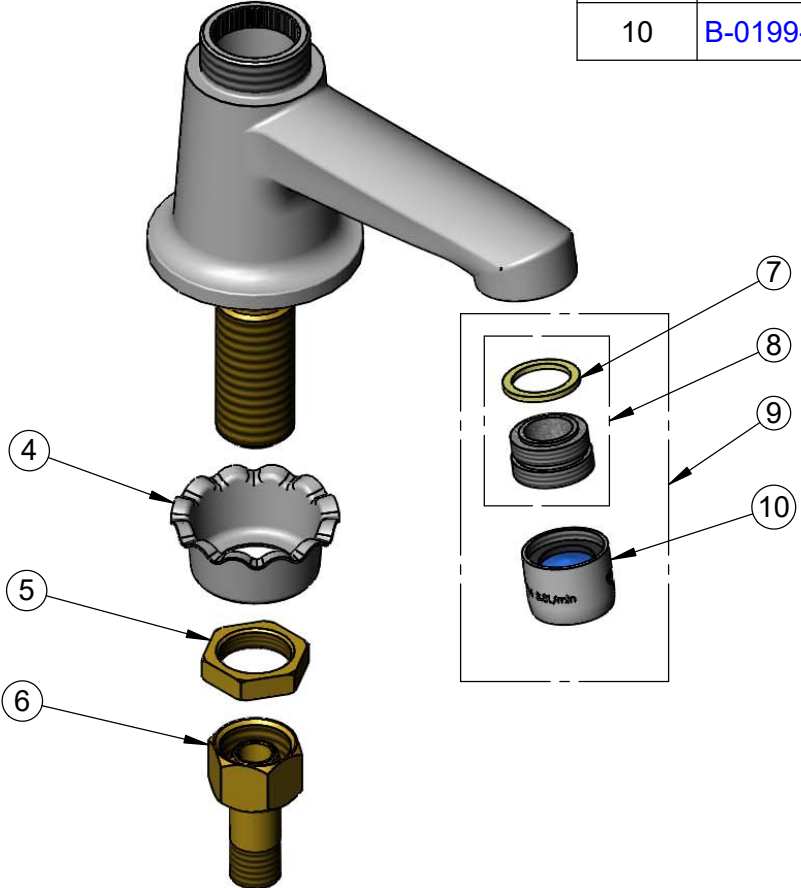
Model No.  
**B-0712-F10**

Item No.

Travelers Rest, SC: 800-476-4103 • Simi Valley, CA: 800-423-0150 • Fax: 864-834-3518 • www.tsbrass.com



ITEM NO.	SALES NO.	DESCRIPTION
1	014193-40	Blank Push Button Cap w/ Spanner Bit
2	238A	Push Button Metering Cartridge
3	238AB	Metering Cartridge w/ Blank Push Button Cap & Spanner Bit
4	001000-45	Rosette Washer
5	002954-45	Shank Lock Nut
6	150A	1/4" NPT Tailpiece
7	001048-45	Nozzle Tip Washer
8	001651-47	Aerator Adapter
9	B-0199-03-F10	1.0 GPM Aerator w/ 13/16-27 UN Male Adapter
10	B-0199-01-F10	1.0 GPM Aerator, 55/64-27 UN Female Thread



Product Specifications:  
 Single Hole Single Temperature Deck Mount Basin Faucet, Push Button Metering Cartridge, 1.0 GPM Aerator & 1/2" NPSM Male Inlet

Product Compliance:  
 ASME A112.18.1 / CSA B125.1  
 NSF 61 - Section 9  
 NSF 372 (Low Lead Content)  
 ANSI A117.1 (ADA)