



T&S BRASS AND BRONZE WORKS, INC.

2 Saddleback Cove / P.O. Box 1088
Travelers Rest, SC 29690

Model No.

B-0800-PA

Item No.

Travelers Rest, SC: 800-476-4103 • Simi Valley, CA: 800-423-0150 • Fax: 864-834-3518 • www.tsbrass.com



ADA Compliant

This Space for Architect/Engineer Approval

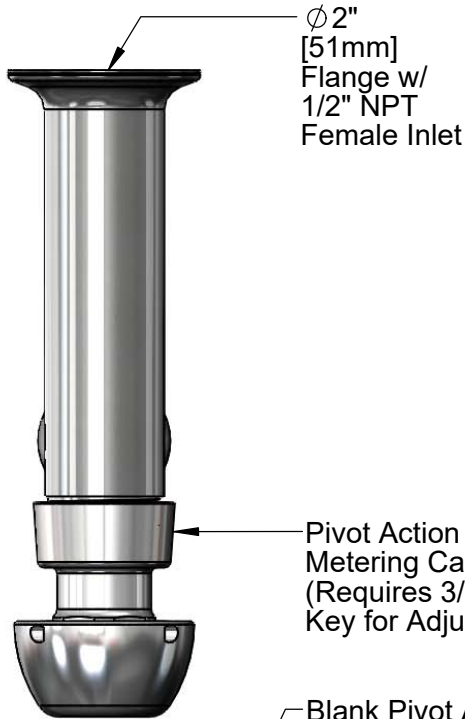
Job Name _____ Date _____

Model Specified _____ Quantity _____

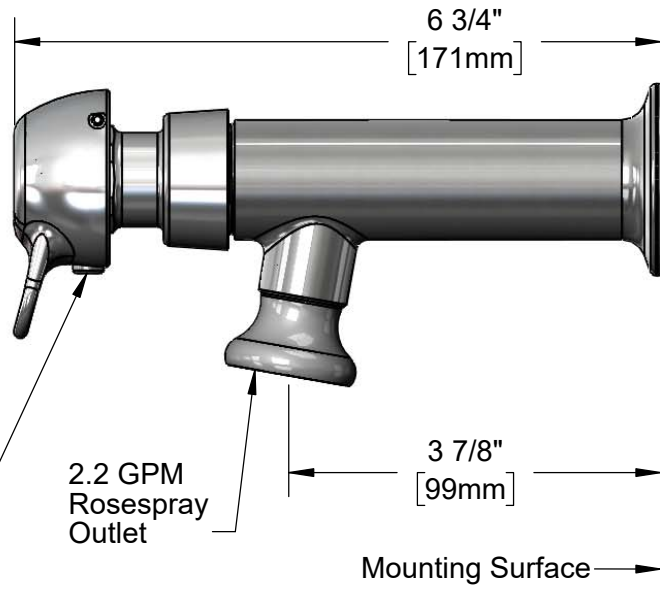
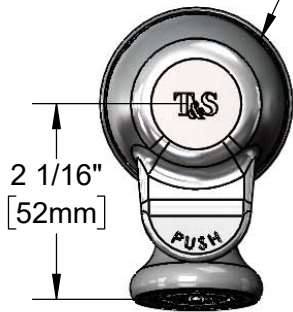
Customer/Wholesaler _____

Contractor _____

Architect/Engineer _____



Blank Pivot Action Handle
w/ Vandal Resistant
Screw & Spanner Bit
(Included)



Product Specifications:

Wash Sink Metering Faucet with Pivot Action Metering Cartridge, 1/2" NPT Female Inlet and 2.2 GPM Rosespray Outlet

Product Compliance:

ASME A112.18.1 / CSA B125.1
NSF 61 - Section 9
NSF 372 (Low Lead Content)
ANSI A117.1 (ADA)



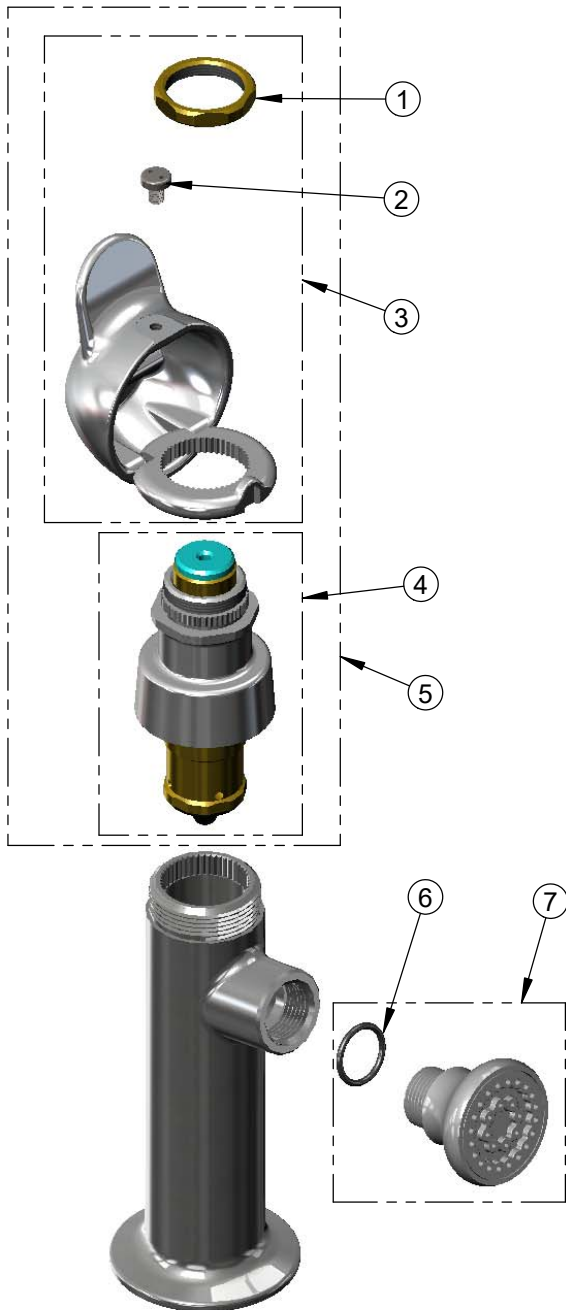
T&S BRASS AND BRONZE WORKS, INC.
 2 Saddleback Cove / P.O. Box 1088
 Travelers Rest, SC 29690

Model No.
B-0800-PA

Item No.

Travelers Rest, SC: 800-476-4103 • Simi Valley, CA: 800-423-0150 • Fax: 864-834-3518 • www.tsbrass.com

ITEM NO.	SALES NO.	DESCRIPTION
1	PA-N	Retaining Nut
2	016654-45	Vandal Resistant Stainless Steel Screw
3	PA-B	Blank Pivot Action Handle w/ Retaining Nut & Spanner Bit
4	238PA	Metering Cartridge
5	238AB-PA	Pivot Action Metering Cartridge w/ Blank Pivot Action Handle, Retaining Nut & Spanner Bit
6	006575-45	O-Ring
7	B-0103	2.2 GPM Rosespray Outlet



014734-45
 Spanner Bit for
 Vandal Resistant Screw

Product Specifications:
 Wash Sink Metering Faucet with Pivot Action Metering Cartridge, 1/2" NPT
 Female Inlet and 2.2 GPM Rosespray Outlet

Product Compliance:
 ASME A112.18.1 / CSA B125.1
 NSF 61 - Section 9
 NSF 372 (Low Lead Content)
 ANSI A117.1 (ADA)