



T&S BRASS AND BRONZE WORKS, INC.

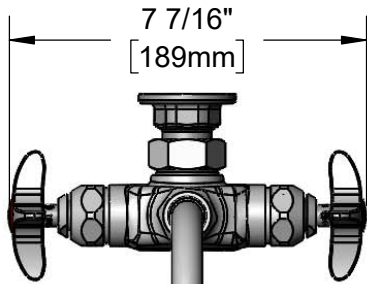
2 Saddleback Cove / P.O. Box 1088
Travelers Rest, SC 29690

Model No.

B-0815

Item No.

Travelers Rest, SC: 800-476-4103 • Simi Valley, CA: 800-423-0150 • Fax: 864-834-3518 • www.tsbrass.com



This Space for Architect/Engineer Approval

Job Name _____ Date _____

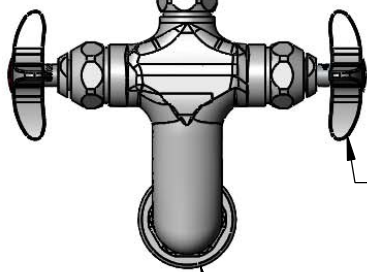
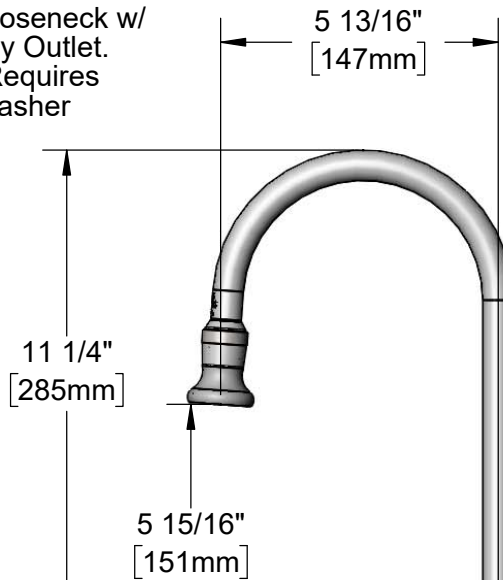
Model Specified _____ Quantity _____

Customer/Wholesaler _____

Contractor _____

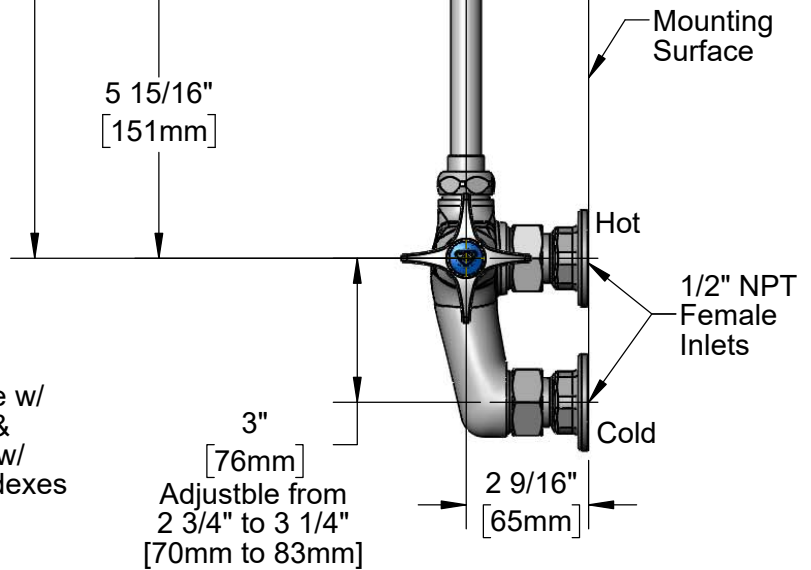
Architect/Engineer _____

5 13/16" Swivel Gooseneck w/
2.2 GPM Rosespray Outlet.
Rigid Conversion Requires
014200-45 Lock Washer
(Included)



Quarter-Turn
Eterna Cartridge w/
Spring Checks &
4-Arm Handles w/
Color Coded Indexes

Ø2"
[51mm]
Wall Flange



Product Specifications:

Wall Mount Vertical Mixing Faucet w/ Quarter-Turn Eterna Cartridges w/ Spring Checks, 5 13/16" Rigid/Swivel Gooseneck w/ 2.2 GPM Rosespray Outlet, 4-Arm Handles and 1/2" NPT Female Inlets

Product Compliance:

ASME A112.18.1 / CSA B125.1
NSF 61 - Section 9
NSF 372 (Low Lead Content)
ANSI A117.1 (ADA)



T&S BRASS AND BRONZE WORKS, INC.
 2 Saddleback Cove / P.O. Box 1088
 Travelers Rest, SC 29690

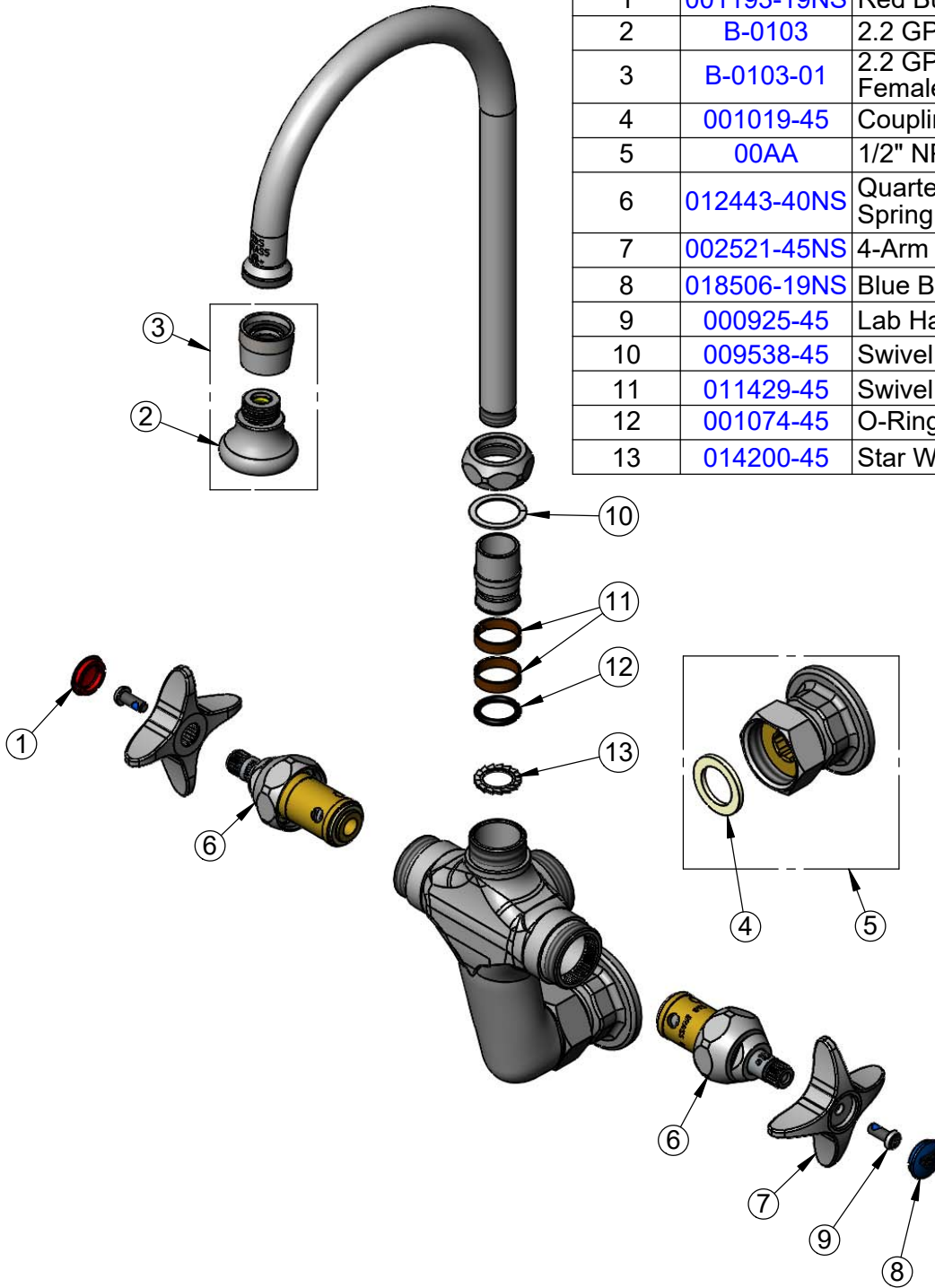
Model No.

B-0815

Item No.

Travelers Rest, SC: 800-476-4103 • Simi Valley, CA: 800-423-0150 • Fax: 864-834-3518 • www.tsbrass.com

| ITEM NO. | SALES NO. | DESCRIPTION |
|----------|-------------|--|
| 1 | 001193-19NS | Red Button Index, Press-in |
| 2 | B-0103 | 2.2 GPM Rosespray, 3/8-18 NPT Male |
| 3 | B-0103-01 | 2.2 GPM Rosespray, 55/64-27 UN Female |
| 4 | 001019-45 | Coupling Nut Washer |
| 5 | 00AA | 1/2" NPT Female Eccentric Flange |
| 6 | 012443-40NS | Quarter-Turn Eterna Cartridge w/ Spring Check, RTC |
| 7 | 002521-45NS | 4-Arm Handle (New Style) |
| 8 | 018506-19NS | Blue Button Index, Press-in |
| 9 | 000925-45 | Lab Handle Screw |
| 10 | 009538-45 | Swivel Washer |
| 11 | 011429-45 | Swivel Sleeves (2) |
| 12 | 001074-45 | O-Ring |
| 13 | 014200-45 | Star Washer, Anti-Rotation |



Product Specifications:

Wall Mount Vertical Mixing Faucet w/ Quarter-Turn Eterna Cartridges w/ Spring Checks, 5 13/16" Rigid/Swivel Gooseneck w/ 2.2 GPM Rosespray Outlet, 4-Arm Handles and 1/2" NPT Female Inlets

Product Compliance:

ASME A112.18.1 / CSA B125.1
 NSF 61 - Section 9
 NSF 372 (Low Lead Content)
 ANSI A117.1 (ADA)